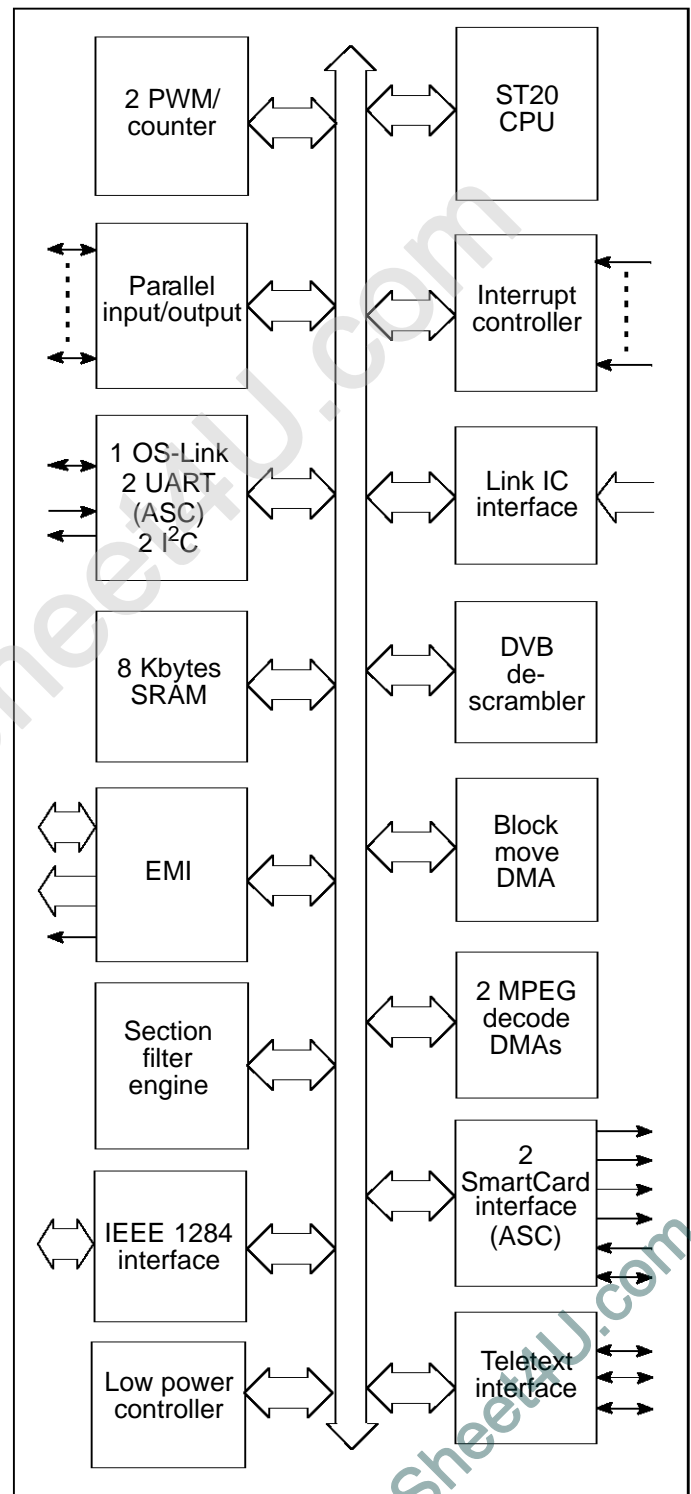


PROGRAMMABLE TRANSPORT IC FOR DVB APPLICATIONS

FEATURES

- Enhanced 32-bit VL-RISC CPU
 - 0 to 50 MHz processor clock
 - fast integer/bit operations
 - very high code density
- 8 Kbytes on-chip SRAM
 - 200 Mbytes/s maximum bandwidth
- Programmable memory interface
 - 4 separately configurable regions
 - 8/16/32-bits wide
 - support for mixed memory
 - 2 cycle external access
 - support for page mode DRAM
 - support for MPEG decoders
 - support for PCMCIA CA module
- Serial communications
 - OS-Link
 - 2 Programmable UARTs (ASC)
 - 2 Synchronous serial interfaces (I²C)
- Vectored interrupt subsystem
 - Prioritized interrupts
 - 8 levels of preemption
 - 500 ns response time
- DMA engines/interfaces
 - 2 MPEG decoder DMAs
 - 2 SmartCard interfaces
 - Link IC DMA interface
 - Section filter engine
 - DVB descrambler DMA
 - Block move DMA
 - Teletext interface (I/O)
 - IEEE 1284/ Transport out DMA
- PWM/counter module
 - Two 8-bit PWM
 - Two 32-bit counters and capture registers
- Low power controller
 - Real time clock
 - Watchdog timer
- Programmable IO module
- Professional toolset support
 - ANSI C compiler and libraries
 - INQUEST advanced debugging tools
- Technology
 - 208 pin PQFP package
 - 0.5 micron process technology
- JTAG Test Access Port



APPLICATIONS

- Set top terminals

Contents

1	Introduction	6
2	ST20-TP2 architecture overview	8
2.1	Transport demultiplexing	8
2.2	ST20-TP2 functional modules	10
3	Central processing unit	14
3.1	Registers	14
3.2	Processes and concurrency	15
3.3	Priority	17
3.4	Process communications	18
3.5	Timers	18
3.6	Traps and exceptions	19
4	Interrupt controller	25
4.1	Interrupt vector table	26
4.2	Interrupt handlers	26
4.3	Interrupt latency	27
4.4	Preemption and interrupt priority	27
4.5	Restrictions on interrupt handlers	27
4.6	Interrupt configuration registers	28
5	Interrupt level controller	33
5.1	Interrupt level controller registers	33
6	Instruction set	35
6.1	Instruction cycles	35
6.2	Instruction characteristics	36
6.3	Instruction set tables	37
7	Memory map	46
7.1	System memory use	46
7.2	Boot ROM	47
7.3	Internal peripheral space	47
8	Memory subsystem	51
8.1	SRAM	51
9	External memory interface	52
9.1	Pin functions	53

9.2	External bus cycles	57
9.3	EMI Configuration	63
9.4	EMI initialization	77
10	System services	79
10.1	Reset and Analyse	79
10.2	Bootstrap	80
11	Test access port	82
11.1	Boundary scan description	82
12	Clocks and low power controller	83
12.1	Clocks	83
12.2	Low power control	83
12.3	Low power configuration registers	85
12.4	Clocking	88
13	Asynchronous serial controller	89
13.1	Operation	93
13.2	Hardware error detection capabilities	96
13.3	Baud rate generation	96
13.4	Interrupt control	98
13.5	SmartCard mode specific operation	102
14	SmartCard interface	103
14.1	External interface	103
14.2	SmartCard clock generator	104
15	I2C interfaces (SSC)	106
15.1	High-speed synchronous serial controller	106
16	PWM and counter module	116
16.1	External interface	116
16.2	PWM and counter control registers	116
17	Parallel input/output	121
17.1	PIO Ports0-4	121
18	Serial link interface (OS-Link)	124
18.1	OS-Link protocol	124
18.2	OS-Link speed	124
18.3	OS-Link connections	125

19	Link IC interface	126
19.1	External interface	126
19.2	Link IC interface operation	126
20	MPEG DMA controllers	128
20.1	External interface	128
20.2	MPEG DMA transfers	128
20.3	MPEG control registers	130
21	DVB decryption controller	132
21.1	Decrypting blocks of data	132
21.2	Control registers	133
22	Block move DMA	134
22.1	Moving blocks of data	134
22.2	Configuration register	134
23	Teletext interface	135
23.1	Teletext interface pins	135
23.2	Teletext data out	135
23.3	Teletext data in	137
23.4	Teletext interrupt control	137
23.5	Control registers	137
24	Section filter	141
24.1	Section filter configuration registers	141
24.2	DMA registers	143
24.3	Section filtering operation	147
25	IEEE 1284 port (PC parallel port)	149
25.1	1284 port pins	150
25.2	1284 Port modes of operation	151
25.3	1284 port control registers	156
25.4	Signal Filtering	165
26	Configuration register addresses	167
27	Device configuration	176
27.1	PIO pins and alternate functions	176
27.2	Interrupt assignments	178
28	Pin list	179

29	Package specifications	183
29.1	ST20-TP2 package pinout	183
29.2	208 pin PQFP package dimensions	189
30	Electrical specifications	191
30.1	Absolute maximum ratings	191
30.2	Operating conditions	191
30.3	DC specifications	192
31	Timing specifications	193
31.1	EMI timings	193
31.2	PIO timings	196
31.3	Link timings	197
31.4	Reset and Analyse timings	198
31.5	Clock timings	199
31.6	TAP timings	200
31.7	Link IC timings	201
31.8	Teletext timings	202
32	Device ID	203
33	Ordering information	203
	Appendix A Channel model	204

1 Introduction

The ST20-TP2 is a programmable transport IC designed to meet the transport layer specification for DVB set top box systems.

The ST20-TP2 combines the functionality of the set top box transport IC and system microcontroller in to a single device. The performance offered by the ST20 32-bit micro-core allows the following operations to be performed in software:

- 1 Transport layer demultiplexing,
- 2 Device drivers and synchronization,
- 3 Electronic program guide,
- 4 System management functions,
- 5 Conditional access module.

Note: Source code software licences are available from SGS-THOMSON for modules 1 and 2 above.

The advantages of using software versus dedicated hardware for these functions are two-fold:

- Flexibility - it is quick and simple to modify software to adapt to a new system requirement or to a change in a standard.
- Upgradability - the use of a 32-bit CPU enables the use of advanced graphics routines for on-screen display functions and enables fast turn-around of system upgrades.

The ST20 micro-core family has been developed by SGS-THOMSON Microelectronics to provide the tools and building blocks to enable the development of highly integrated application specific 32-bit devices at the lowest cost and fastest time to market. The ST20 macrocell library includes the ST20Cx family of 32-bit VL-RISC (variable length reduced instruction set computer) micro-cores, embedded memories, standard peripherals, I/O, controllers and ASICs.

The ST20-TP2 uses the ST20 macrocell library to provide all of the dedicated hardware modules required in a DVB set top box programmable transport-IC. These include:

- Link-IC interface to MPEG transport stream,
- I²C interface to other devices in the set top box,
- UART serial I/O interface to modem and auxiliary ports,
- Interrupt controller for internal and external interrupts,
- 8 Kbytes of internal SRAM,
- DMA module to MPEG audio and video device(s),
- Section filter module ,
- External memory interface supporting DRAM, EPROM and peripherals,
- PWM/timer module for control of system clock VCXOs,
- Programmable I/O pins,
- DVB descrambler,

- Smart card interface,
- IEEE 1284 port.

The ST20-TP2 has been designed to minimize system costs. The memory interface module contains a zero glue logic DRAM controller, a low cost 8-bit EPROM interface and a port for connecting directly to the MPEG audio and video devices. Furthermore the ST20 VL-RISC micro-core has the highest code density of any 32-bit CPU, leading to the lowest cost program ROM.

The ST20-TP2 is supported by a range of software and hardware development tools for PC and UNIX hosts including an ANSI-C ST20 software toolset incorporating the ST20 INQUEST window based debugger.

2 ST20-TP2 architecture overview

A block diagram of a digital set top receiver is shown in Figure 2.1.

The ST20-TP2 performs the system microcontroller and transport demultiplexer functions. It has been designed to directly interface to external memory and peripherals with no extra glue logic, keeping the system cost to a minimum. The ST20-TP2 architectural block diagram is shown in Figure 2.2.

2.1 Transport demultiplexing

The transport demultiplexing function is performed in a mixture of hardware and software. Typical operation is as described below.

Data packets from the Link-IC are input into memory by the Link-IC interface using DMA. The packet is parsed in software to determine its type and to extract data from it. If the packet is encrypted using the DVB Standard, a memory to memory DMA operation through the DVB decryption controller (DVBC) is performed before the packet can be parsed.

After parsing the packet, the data is either transferred to buffers in external memory or passed to other software tasks as a message. The transfer from internal to external memory can also be performed as a memory to memory DMA operation using the block move module.

Audio or Video MPEG compressed data extracted from the input data packets is transferred to the decoders using two independent DMA controllers. These read data from memory and then write it to a decoder in response to a DMA request from the decoder.

The unique architecture of the ST20 family, in particular the scheduler implemented in microcode, allows the transport demultiplex functions to typically occupy less than half the available CPU cycles.

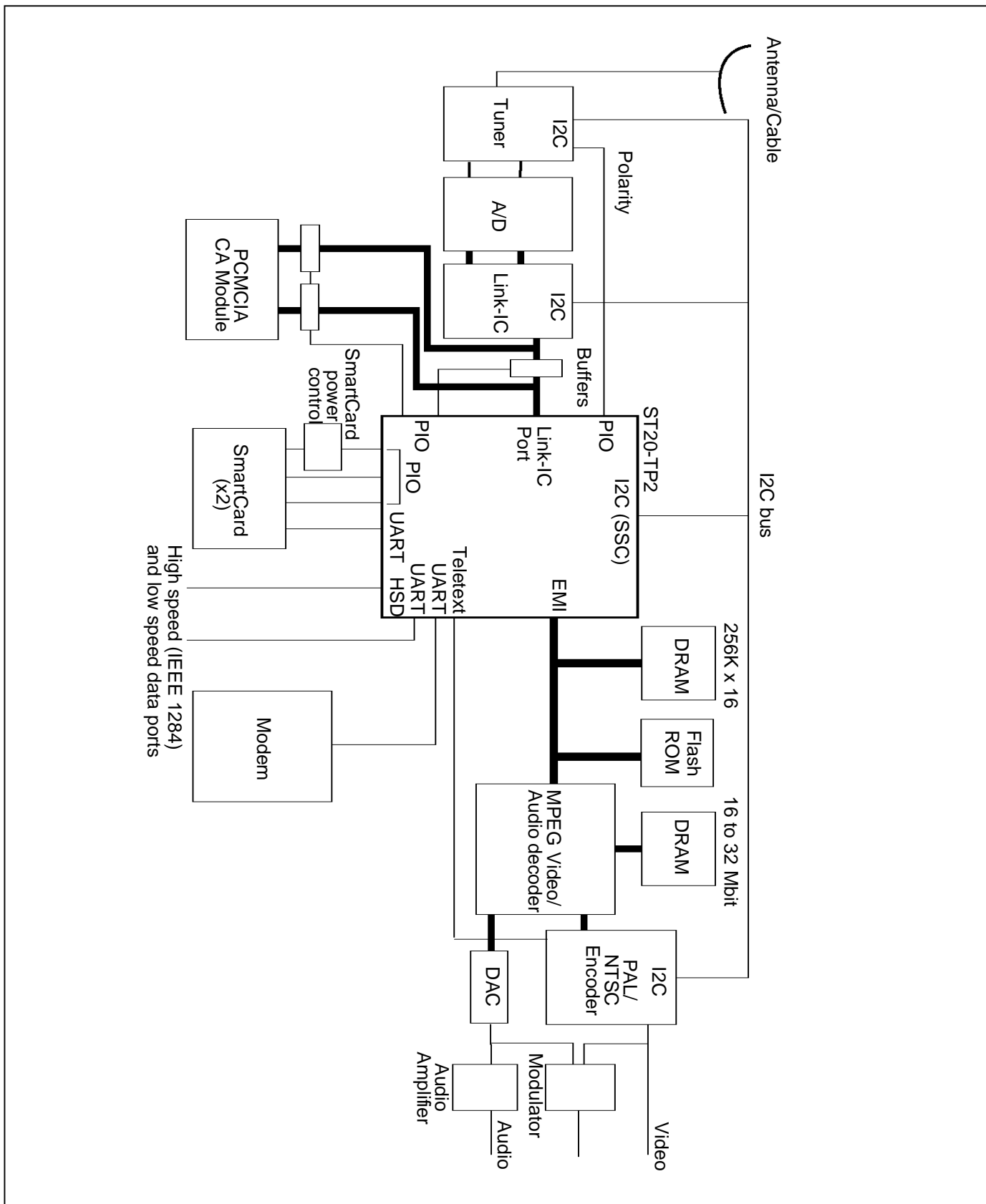


Figure 2.1 Digital set top box block diagram

2.2 ST20-TP2 functional modules

Figure 2.2 shows the subsystem modules that comprise the ST20-TP2. These modules are outlined below and more detailed information is given in the following chapters of this datasheet.

CPU

The Central Processing Unit (CPU) on the ST20-TP2 is the ST20 32-bit processor core. It contains instruction processing logic, instruction and data pointers, and an operand register. It directly accesses the high speed on-chip memory, which can store data or programs. Where larger amounts of memory are required, the processor can access memory via the External Memory Interface (EMI).

Memory subsystem

The ST20-TP2 on-chip memory system provides 200 Mbytes/s internal data bandwidth, supporting pipelined 2-cycle internal memory access at 20 ns cycle times. The ST20-TP2 memory system consists of SRAM and an external memory interface (EMI).

The ST20-TP2 product has 8 Kbytes of on-chip SRAM. The advantage of this is the ability to store time critical code on chip, for instance interrupt routines, software kernels or device drivers, and even frequently used data. Furthermore small systems could place all code and data on-chip, increasing performance and reducing system cost. For the transport layer demultiplexing functions calculations have shown that the code can fit in internal memory together with its stack and packet buffers. This gives the required performance for these functions.

The ST20-TP2 EMI controls access to the external memory and peripherals including the MPEG decoder registers and DMA data ports. Special strobes have been added to one of the banks of the EMI to allow a direct interface to the SGS-THOMSON Microelectronics range of MPEG2 audio and video decoders.

The ST20-TP2 EMI can access a 16 Mbyte (or greater if DRAM is used) physical address space in each of the three general purpose memory banks, and, for 50 MHz operation, provides sustained transfer rates of up to 100 Mbytes/s for SRAM, and up to 50 Mbytes/s using page-mode DRAM. The EMI includes programmable strobes to support direct interfacing to MPEG decoder devices.

System services module

The ST20-TP2 system services module includes:

- reset, initialization and error port,
- phase locked loop (PLL) - accepts 27 MHz input and generates all the internal high frequency clocks needed for the CPU and the OS-Link,
- test access port - JTAG compatible,
- low power modes.

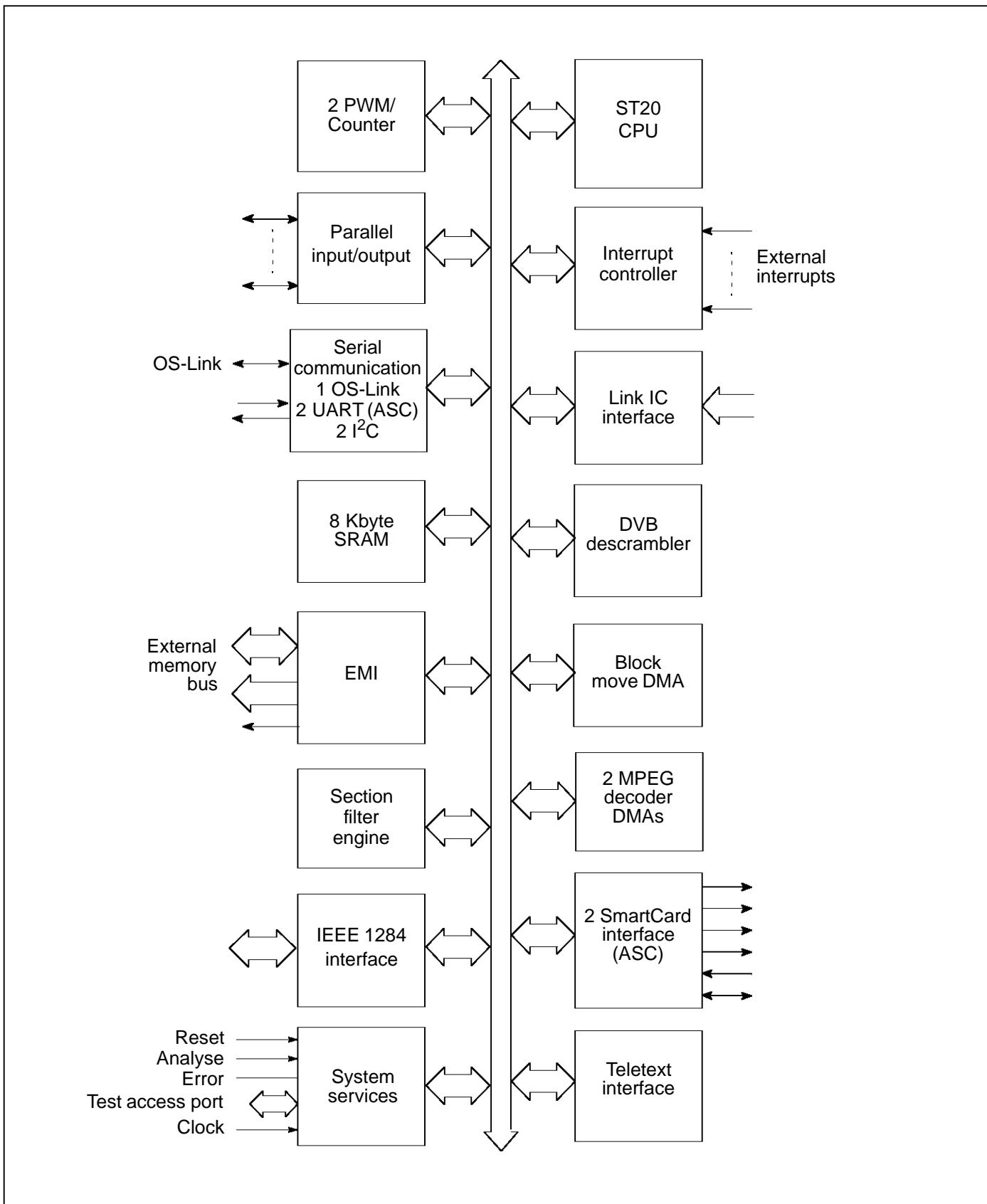


Figure 2.2 ST20-TP2 architectural block diagram

Serial communications

To facilitate the connection of this system to a modem for a pay-per-view type system and other peripherals, two UARTs (ASCs) are included in the device. The UARTs provide an asynchronous serial interface. The UART can be programmed to support a range of baud rates and data formats, for example, data size, stop bits and parity.

Two synchronous serial communications (SSC) interfaces are provided on the device. These can be used to control the Link-IC, PAL/NTSC encoder, and the remote control devices in the application via an I²C bus.

The ST20-TP2 has an OS-Link based serial communications subsystem. OS-Links use an asynchronous bit-serial (byte-stream) protocol, each bit received is sampled five times, hence the term *oversampled links* (OS-Links). Each OS-Link provides a pair of channels, one input and one output channel.

There is one OS-Link on the ST20-TP2 which acts as a DMA engine independent of the CPU. The link is used for:

- bootstrapping during development
- debugging.

Interrupt subsystem

The ST20-TP2 interrupt subsystem supports eight prioritized interrupt levels. Four external interrupt pins are provided. Level assignment logic allows any of the internal or external interrupts to be assigned, and if necessary share, any interrupt level.

Link IC interface

The Link-IC interface provides a byte wide data input from the Link-IC. The interface between the CPU and this module is provided using a channel interface allowing data transfer from the link IC to memory independently of the CPU. Using a channel interface requires a low CPU overhead at the start and end of each transfer.

DVB decryption

DVB standard decryption is supported by the DVBC module. This can be used to decrypt blocks of data from one area of memory to another using DMA operations.

Block move engine

The transfer from internal to external memory can also be performed as a memory to memory DMA operation using the block move module.

Section filter engine

Extraction of data contained in sections in the transport packet is supported by a section filtering engine. This contains a large bank of filters which are tested for a match against the table.id and subsequent bytes of a section. The engine is used to test each section of the packet for a match in sequence.

MPEG DMA

The two MPEG DMA controllers are used to transfer MPEG compressed data from the memory to the decoder chip. DMA strobes are provided by the EMI to support the direct connection of decoder ICs to the ST20-TP2.

IEEE 1284 interface

An 8-bit wide parallel interface (conforming to the IEEE 1284 standard) supports a high speed data input/output port to/from the set top receiver. The interface has a dedicated DMA controller to transfer data to or from memory to the port with little CPU overhead.

SmartCard interfaces

The SmartCard interfaces support SmartCards that are compliant with ISO7816-3 and use the asynchronous protocol. The interfaces are each implemented with a UART (ASC), dedicated programmable clock generator, and eight bits of parallel IO port.

PWM and counter module

This unit includes two separate pulse width modulator (PWM) generators and two counters with capture registers. The counters can be clocked from a pre-scaled internal clock or from a pre-scaled external clock via the capture clock input and the event on which the timer value is captured is also programmable.

The PWM counters are 8-bit with 8-bit registers to set the output high time. The capture counters are 32-bit with 32-bit capture registers.

Parallel IO module

Forty bits of parallel IO are provided. Each bit is programmable as an output or an input. The output can be configured as a totem pole or open drain driver. Input compare logic is provided which can generate an interrupt on any change on any input bit.

Many pins of the ST20-TP2 device are multi-function and can either be configured as PIO or connected to an internal peripheral signal.

Teletext

The teletext interface interfaces to a teletext peripheral. It translates teletext data to/from memory. It has two modes of operation, teletext data in and teletext data out.

In teletext data out mode, the teletext interface uses DMA to retrieve teletext data from memory, and serializes the data for transmission to a composite video encoder.

In teletext data in mode teletext data is extracted from the composite video signal and is fed into the teletext interface as a serial stream. The teletext interface assembles the data and uses DMA to pass this data to memory.

3 Central processing unit

The Central Processing Unit (CPU) is the ST20 32-bit processor core. It contains instruction processing logic, instruction and data pointers, and an operand register. It can directly access the high speed on-chip memory, which can store data or programs. Where larger amounts of memory are required, the processor can access memory via the External Memory Interface (EMI).

The processor provides high performance:

- Fast integer multiply - 4 cycle multiply
- Fast bit shift - single cycle barrel shifter
- Byte and part-word handling
- Scheduling and interrupt support
- 64-bit integer arithmetic support.

The scheduler provides a single level of pre-emption. In addition, multi-level pre-emption is provided by the interrupt subsystem, see Chapter 4 for details. Additionally, there is a per-priority trap handler to improve the support for arithmetic errors and illegal instructions, refer to section 3.6.

3.1 Registers

The CPU contains six registers which are used in the execution of a sequential integer process. The six registers are:

- The workspace pointer (**Wptr**) which points to an area of store where local data is kept.
- The instruction pointer (**lptr**) which points to the next instruction to be executed.
- The status register (**Status**).
- The **Areg**, **Breg** and **Creg** registers which form an evaluation stack.

The **Areg**, **Breg** and **Creg** registers are the sources and destinations for most arithmetic and logical operations. Loading a value into the stack pushes **Breg** into **Creg**, and **Areg** into **Breg**, before loading **Areg**. Storing a value from **Areg**, pops **Breg** into **Areg** and **Creg** into **Breg**. **Creg** is left undefined.

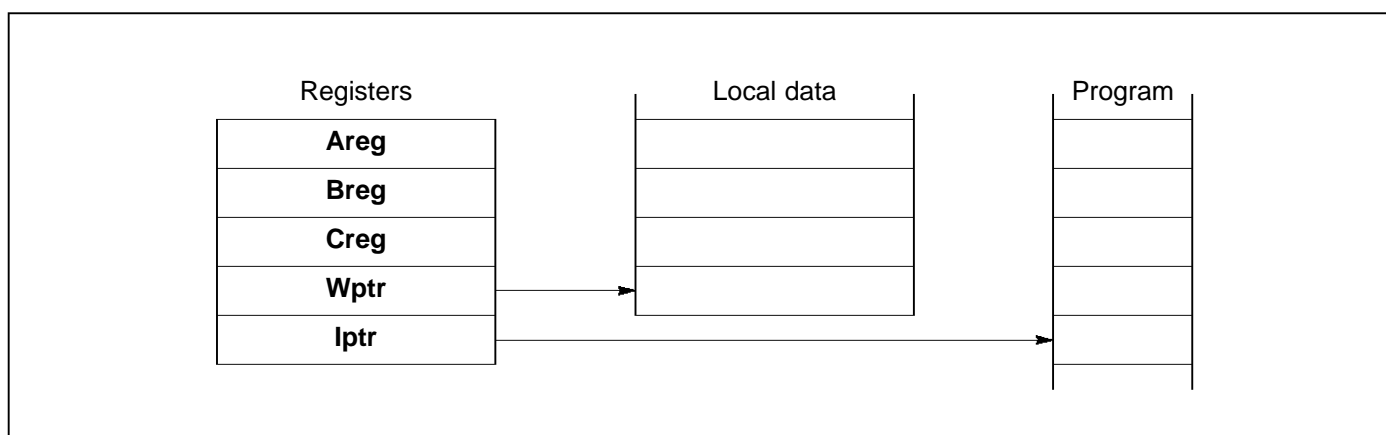


Figure 3.1 Registers used in sequential integer processes

Expressions are evaluated on the evaluation stack, and instructions refer to the stack implicitly. For example, the *add* instruction adds the top two values in the stack and places the result on the top of the stack. The use of a stack removes the need for instructions to explicitly specify the location of their operands. No hardware mechanism is provided to detect that more than three values have been loaded onto the stack; it is easy for the compiler to ensure that this never happens.

Note that a location in memory can be accessed relative to the workspace pointer, enabling the workspace to be of any size.

The use of shadow registers provides fast, simple and clean context switching.

3.2 Processes and concurrency

The following section describes 'default' behavior of the CPU and it should be noted that the user can alter this behavior, for example, by disabling timeslicing, installing a user scheduler, etc.

A process starts, performs a number of actions, and then either stops without completing or terminates complete. Typically, a process is a sequence of instructions. The CPU can run several processes in parallel (concurrently). Processes may be assigned either high or low priority, and there may be any number of each.

The processor has a microcoded scheduler which enables any number of concurrent processes to be executed together, sharing the processor time. This removes the need for a software kernel, although kernels can still be written if desired.

At any time, a process may be

- active*
 - being executed,
 - interrupted by a higher priority process,
 - on a list waiting to be executed.
- inactive*
 - waiting to input,
 - waiting to output,
 - waiting until a specified time.

The scheduler operates in such a way that inactive processes do not consume any processor time. Each active high priority process executes until it becomes inactive. The scheduler allocates a portion of the processor's time to each active low priority process in turn (see section 3.3). Active processes waiting to be executed are held in two linked lists of process workspaces, one of high priority processes and one of low priority processes. Each list is implemented using two registers, one of which points to the first process in the list, the other to the last. In the linked process list shown in Figure 3.2, process *S* is executing and *P*, *Q* and *R* are active, awaiting execution. Only the low priority process queue registers are shown; the high priority process ones behave in a similar manner.

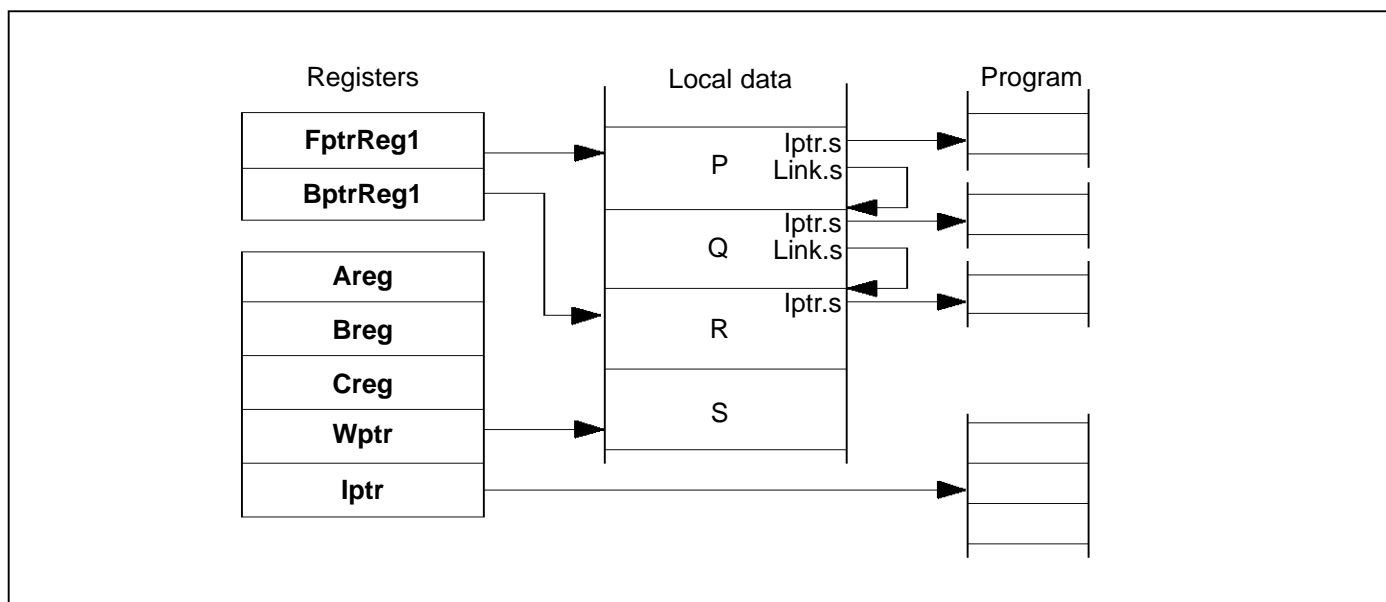


Figure 3.2 Linked process list

Function	High priority	Low priority
Pointer to front of active process list	FptrReg0	FptrReg1
Pointer to back of active process list	BptrReg0	BptrReg1

Table 3.1 Priority queue control registers

Each process runs until it has completed its action or is descheduled. In order for several processes to operate in parallel, a low priority process is only permitted to execute for a maximum of two timeslice periods. After this, the machine deschedules the current process at the next timeslicing point, adds it to the end of the low priority scheduling list and instead executes the next active process. The timeslice period is 1ms.

There are only certain instructions at which a process may be descheduled. These are known as descheduling points. A process may only be timesliced at certain descheduling points. These are known as timeslicing points and are defined in such a way that the operand stack is always empty. This removes the need for saving the operand stack when timeslicing. As a result, an expression evaluation can be guaranteed to execute without the process being timesliced part way through.

Whenever a process is unable to proceed, its instruction pointer is saved in the process workspace and the next process taken from the list.

The processor core provides a number of special instructions to support the process model, including *startp* (start process) and *endp* (end process). When a main process executes a parallel construct, *startp* is used to create the necessary additional concurrent processes. A *startp* instruction creates a new process by adding a new workspace to the end of the scheduling list, enabling the new concurrent process to be executed together with the ones already being executed. When a process is made active it is always added to the end of the list, and thus cannot pre-empt processes already on the same list.

The correct termination of a parallel construct is assured by use of the *endp* instruction. This uses a data structure that includes a counter of the parallel construct components which have still to ter-

minate. The counter is initialized to the number of components before the processes are started. Each component ends with an *endp* instruction which decrements and tests the counter. For all but the last component, the counter is non zero and the component is descheduled. For the last component, the counter is zero and the main process continues.

3.3 Priority

The following section describes 'default' behavior of the CPU and it should be noted that the user can alter this behavior, for example, by disabling timeslicing and priority interrupts.

The processor can execute processes at one of two priority levels, one level for urgent (high priority) processes, one for less urgent (low priority) processes. A high priority process will always execute in preference to a low priority process if both are able to do so.

High priority processes are expected to execute for a short time. If one or more high priority processes are active, then the first on the queue is selected and executes until it has to wait for a communication, a timer input, or until it completes processing.

If no process at high priority is active, but one or more processes at low priority are active, then one is selected. Low priority processes are periodically timesliced to provide an even distribution of processor time between computationally intensive tasks.

If there are n low priority processes, then the maximum latency from the time at which a low priority process becomes active to the time when it starts processing is the order of $2n$ timeslice periods. It is then able to execute for between one and two timeslice periods, less any time taken by high priority processes. This assumes that no process monopolizes the CPU's time; i.e. it has frequent timeslicing points.

The specific condition for a high priority process to start execution is that the CPU is idle or running at low priority and the high priority queue is non-empty.

If a high priority process becomes able to run whilst a low priority process is executing, the low priority process is temporarily stopped and the high priority process is executed. The state of the low priority process is saved into 'shadow' registers and the high priority process is executed. When no further high priority processes are able to run, the state of the interrupted low priority process is reloaded from the shadow registers and the interrupted low priority process continues executing. Instructions are provided on the processor core to allow a high priority process to store the shadow registers to memory and to load them from memory. Instructions are also provided to allow a process to exchange an alternative process queue for either priority process queue (see Table 6.21 on page 44). These instructions allow extensions to be made to the scheduler for custom runtime kernels.

A low priority process may be interrupted after it has completed execution of any instruction. In addition, to minimize the time taken for an interrupting high priority process to start executing, the potentially time consuming instructions are interruptible. Also some instructions are abortable and are restarted when the process next becomes active (refer to the Instruction Set chapter).

3.4 Process communications

Communication between processes takes place over channels, and is implemented in hardware. Communication is point-to-point, synchronized and unbuffered. As a result, a channel needs no process queue, no message queue and no message buffer.

A channel between two processes executing on the same CPU is implemented by a single word in memory; a channel between processes executing on different processors is implemented by point-to-point links. The processor provides a number of operations to support message passing, the most important being *in* (input message) and *out* (output message).

The *in* and *out* instructions use the address of the channel to determine whether the channel is internal or external. This means that the same instruction sequence can be used for both hard and soft channels, allowing a process to be written and compiled without knowledge of where its channels are implemented.

Communication takes place when both the inputting and outputting processes are ready. Consequently, the process which first becomes ready must wait until the second one is also ready. The inputting and outputting processes only become active when the communication has completed.

A process performs an input or output by loading the evaluation stack with, a pointer to a message, the address of a channel, and a count of the number of bytes to be transferred, and then executing an *in* or *out* instruction.

3.5 Timers

There are two 32-bit hardware timer clocks which ‘tick’ periodically. These are independent of any on-chip peripheral real time clock. The timers provide accurate process timing, allowing processes to deschedule themselves until a specific time.

One timer is accessible only to high priority processes and is incremented approximately every microsecond, cycling completely in approximately 4295 seconds. The other is accessible only to low priority processes and is incremented approximately every 64 microseconds, giving 15625 ticks in one second. It has a full period of approximately 76 hours. Timer frequencies are approximate and depend on the processor speed selection (see section 12.1 on page 83).

Register	Function
ClockReg0	Current value of high priority (level 0) process clock.
ClockReg1	Current value of low priority (level 1) process clock.
TnextReg0	Indicates time of earliest event on high priority (level 0) timer queue.
TnextReg1	Indicates time of earliest event on low priority (level 1) timer queue.
TptrReg0	High priority timer queue.
TptrReg1	Low priority timer queue.

Table 3.2 Timer registers

The current value of the processor clock can be read by executing a *ldtimer* (load timer) instruction. A process can arrange to perform a *tin* (timer input), in which case it will become ready to execute after a specified time has been reached. The *tin* instruction requires a time to be specified. If this time is in the ‘past’ then the instruction has no effect. If the time is in the ‘future’ then the process is

descheduled. When the specified time is reached the process becomes active. In addition, the *ldclock* (load clock), *stclock* (store clock) instructions allow total control over the clock value and the *clockenb* (clock enable), *clockdis* (clock disable) instructions allow each clock to be individually stopped and re-started.

Figure 3.3 shows two processes waiting on the timer queue, one waiting for time 21, the other for time 31.

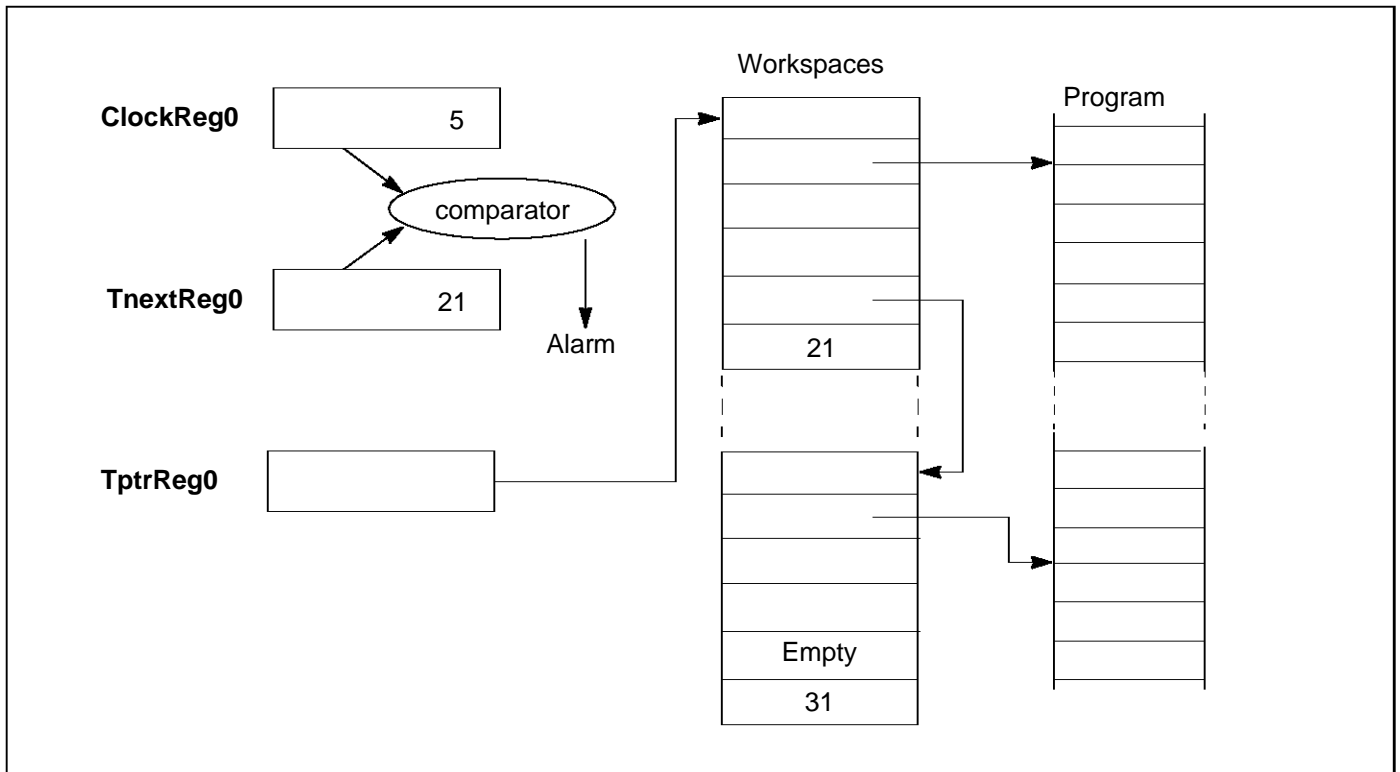


Figure 3.3 Timer registers

3.6 Traps and exceptions

A software error, such as arithmetic overflow or array bounds violation, can cause an error flag to be set in the CPU. The flag is directly connected to the **ErrorOut** pin. Both the flag and the pin can be ignored, or the CPU stopped. Stopping the CPU on an error means that the error cannot cause further corruption. As well as containing the error in this way it is possible to determine the state of the CPU and its memory at the time the error occurred. This is particularly useful for postmortem debugging where the debugger can be used to examine the state and history of the processor leading up to and causing the error condition.

In addition, if a trap handler process is installed, a variety of traps/exceptions can be trapped and handled by software. A user supplied trap handler routine can be provided for each high/low process priority level. The handler is started when a trap occurs and is given the reason for the trap. The trap handler is not re-entrant and must not cause a trap itself within the same group. All traps are individually maskable.

3.6.1 Trap groups

The trap mechanism is arranged on a per priority basis. For each priority there is a handler for each group of traps, as shown in Figure 3.4.

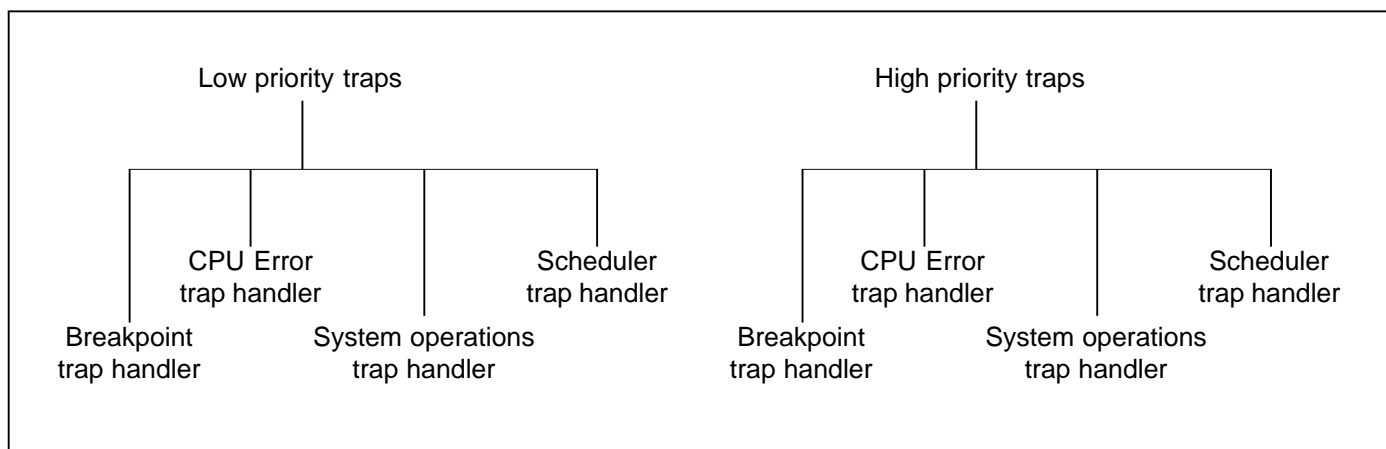


Figure 3.4 Trap arrangement

There are four groups of traps, as detailed below.

- Breakpoint

This group consists of the *Breakpoint* trap. The breakpoint instruction (*j0*) calls the breakpoint routine via the trap mechanism.

- Errors

The traps in this group are *IntegerError* and *Overflow*. *Overflow* represents arithmetic overflow, such as arithmetic results which do not fit in the result word. *IntegerError* represents errors caused when data is erroneous, for example when a range checking instruction finds that data is out of range.

- System operations

This group consists of the *LoadTrap*, *StoreTrap* and *IllegalOpcode* traps. The *IllegalOpcode* trap is signalled when an attempt is made to execute an illegal instruction. The *LoadTrap* and *StoreTrap* traps allow a kernel to intercept attempts by a monitored process to change or examine trap handlers or trapped process information. It enables a user program to signal to a kernel that it wishes to install a new trap handler.

- Scheduler

The scheduler trap group consists of the *ExternalChannel*, *InternalChannel*, *Timer*, *TimeSlice*, *Run*, *Signal*, *ProcessInterrupt* and *QueueEmpty* traps. The *ProcessInterrupt* trap signals that the machine has performed a priority interrupt from low to high. The *QueueEmpty* trap indicates that there is no further executable work to perform. The other traps in this group indicate that the hardware scheduler wants to schedule a process on a process queue, with the different traps enabling the different sources of this to be monitored.

The scheduler traps enable a software scheduler kernel to use the hardware scheduler to implement a multi-priority software scheduler.

Note that scheduler traps are different from other traps as they are caused by the micro-scheduler rather than by an executing process.

Trap groups encoding is shown in Table 3.3 below. These codes are used to identify trap groups to various instructions.

Trap group	Code
Breakpoint	0
CPU Errors	1
System operations	2
Scheduler	3

Table 3.3 Trap group codes

In addition to the trap groups mentioned above, the **CauseError** flag in the **Status** register is used to signal when a trap condition has been activated by the *causeerror* instruction. It can be used to indicate when trap conditions have occurred due to the user setting them, rather than by the system.

3.6.2 Events that can cause traps

Table 3.4 summarizes the events that can cause traps and gives the encoding of bits in the trap **Status** and **Enable** words.

Trap cause	Status/Enable codes	Trap group	Comments
<i>Breakpoint</i>	0	0	When a process executes the breakpoint instruction (<i>j0</i>) then it traps to its trap handler.
<i>IntegerError</i>	1	1	Integer error other than integer overflow - e.g. explicitly checked or explicitly set error.
<i>Overflow</i>	2	1	Integer overflow or integer division by zero.
<i>IllegalOpcode</i>	3	2	Attempt to execute an illegal instruction. This is signalled when <i>opr</i> is executed with an invalid operand.
<i>LoadTrap</i>	4	2	When the trap descriptor is read with the <i>ldtraph</i> instruction or when the trapped process status is read with the <i>ldtrapped</i> instruction.
<i>StoreTrap</i>	5	2	When the trap descriptor is written with the <i>sttraph</i> instruction or when the trapped process status is written with the <i>sttrapped</i> instruction.
<i>InternalChannel</i>	6	3	Scheduler trap from internal channel.
<i>ExternalChannel</i>	7	3	Scheduler trap from external channel.
<i>Timer</i>	8	3	Scheduler trap from timer alarm.
<i>Timeslice</i>	9	3	Scheduler trap from timeslice.
<i>Run</i>	10	3	Scheduler trap from <i>runp</i> (run process) or <i>startp</i> (start process).
<i>Signal</i>	11	3	Scheduler trap from <i>signal</i> .
<i>ProcessInterrupt</i>	12	3	Start executing a process at a new priority level.
<i>QueueEmpty</i>	13	3	Caused by no process active at a priority level.
<i>CauseError</i>	15 (Status only)	Any, encoded 0-3	Signals that the <i>causeerror</i> instruction set the trap flag.

Table 3.4 Trap causes and **Status/Enable** codes

3.6.3 Trap handlers

For each trap handler there is a trap handler structure and a trapped process structure. Both the trap handler structure and the trapped process structure are in memory and can be accessed via instructions, see section 3.6.4.

The trap handler structure specifies what should happen when a trap condition is present, see Table 3.5.

The trapped process structure saves some of the state of the process that was running when the trap was taken, see Table 3.6.

In addition, for each priority, there is an **Enables** register and a **Status** register. The **Enables** register contains flags to enable each cause of trap. The **Status** register contains flags to indicate which trap conditions have been detected. The **Enables** and **Status** register bit encodings are given in Table 3.4.

	Comments	
lptr	lptr of trap handler process.	Base + 3
Wptr	Wptr of trap handler process. A null Wptr indicates that a trap handler has not been installed.	Base + 2
Status	Contains the Status register that the trap handler starts with.	Base + 1
Enables	Contains a word which encodes the trap enable and global interrupt masks which will be ANDed with the existing masks to allow the trap handler to disable various events while it runs.	Base + 0

Table 3.5 Trap handler structure

	Comments	
lptr	Points to the instruction after the one that caused the trap condition.	Base + 3
Wptr	Wptr of the process that was running when the trap was taken.	Base + 2
Status	The relevant trap bit is set, see Table 3.3 for trap codes.	Base + 1
Enables	Interrupt enables.	Base + 0

Table 3.6 Trapped process structure

A trap will be taken at an interruptible point if a trap is set and the corresponding trap enable bit is set in the **Enables** register. If the trap is not enabled then nothing is done with the trap condition. If the trap is enabled then the corresponding bit is set in the **Status** register to indicate the trap condition has occurred.

When a process takes a trap the processor saves the existing **lptr**, **Wptr**, **Status** and **Enables** in the trapped process structure. It then loads **lptr**, **Wptr** and **Status** from the equivalent trap handler structure and ANDs the value in **Enables** with the value in the structure. This allows the user to disable various events while in the handler, in particular a trap handler must disable all the traps of its trap group to avoid the possibility of a handler trapping to itself.

The trap handler then executes. The values in the trapped process structure can be examined using the *ldtrapped* instruction (see section 3.6.4). When the trap handler has completed its operation it returns to the trapped process via the *tret* (trap return) instruction. This reloads the values saved in the trapped process structure and clears the trap flag in **Status**.

Note that when a trap handler is started, **Areg**, **Breg** and **Creg** are not saved. The trap handler must save the **Areg**, **Breg**, **Creg** registers using *stl* (store local).

3.6.4 Trap instructions

Trap handlers and trapped processes can be set up and examined via the *ldtraph*, *sttraph*, *ldtrapped* and *sttrapped* instructions. Table 3.7 describes the instructions that may be used when dealing with traps.

Instruction	Meaning	Use
<i>ldtraph</i>	load trap handler	Load the trap handler from memory to the trap handler descriptor.
<i>sttraph</i>	store trap handler	Store an existing trap handler descriptor to memory.
<i>ldtrapped</i>	load trapped	Load replacement trapped process status from memory.
<i>sttrapped</i>	store trapped	Store trapped process status to memory.
<i>trapebn</i>	trap enable	Enable traps.
<i>trapdis</i>	trap disable	Disable traps.
<i>tret</i>	trap return	Used to return from a trap handler.
<i>causeerror</i>	cause error	Program can simulate the occurrence of an error.

Table 3.7 Instructions which may be used when dealing with traps

The first four instructions transfer data to/from the trap handler structures or trapped process structures from/to an area in memory. In these instructions **Areg** contains the trap group code (see Table 3.3) and **Breg** points to the 4 word area of memory used as the source or destination of the transfer. In addition **Creg** contains the priority of the handler to be installed/examined in the case of *ldtraph* or *sttraph*. *ldtrapped* and *sttrapped* apply only to the current priority.

If the *LoadTrap* trap is enabled then *ldtraph* and *ldtrapped* do not perform the transfer but set the **LoadTrap** trap flag. If the *StoreTrap* trap is enabled then *sttraph* and *sttrapped* do not perform the transfer but set the **StoreTrap** trap flag.

The trap enable masks are encoded by an array of bits (see Table 3.4) which are set to indicate which traps are enabled. This array of bits is stored in the lower half-word of the **Enables** register. There is an **Enables** register for each priority. Traps are enabled or disabled by loading a mask into **Areg** with bits set to indicate which traps are to be affected and the priority to affect in **Breg**. Executing *trapebn* ORs the mask supplied in **Areg** with the trap enables mask in the **Enables** register for the priority in **Breg**. Executing *trapdis* negates the mask supplied in **Areg** and ANDs it with the trap enables mask in the **Enables** register for the priority in **Breg**. Both instructions return the previous value of the trap enables mask in **Areg**.

3.6.5 Restrictions on trap handlers

There are various restrictions that must be placed on trap handlers to ensure that they work correctly.

- 1 Trap handlers must not deschedule or timeslice. Trap handlers alter the **Enables** masks, therefore they must not allow other processes to execute until they have completed.
- 2 Trap handlers must have their **Enable** masks set to mask all traps in their trap group to avoid the possibility of a trap handler trapping to itself.
- 3 Trap handlers must terminate via the *tret* (trap return) instruction. The only exception to this is that a scheduler kernel may use *restart* to return to a previously shadowed process.

4 Interrupt controller

The ST20-TP2 supports external interrupts, enabling an on-chip subsystem or external interrupt pin to interrupt the currently running process in order to run an interrupt handling process.

The ST20-TP2 interrupt subsystem supports eight prioritized interrupts. In addition, there is an interrupt level controller (refer to Chapter 5) which multiplexes incoming interrupts onto the eight programmable interrupt levels. This multiplexing is controllable by software.

Note: Interrupts (**Interrupt0-7**) which are specified as higher priority must be contiguous from the highest numbered interrupt downwards, i.e. if 4 interrupts are programmed as higher priority and 4 as lower priority the higher priority interrupts must be **Interrupt7:4** and the lower priority interrupts **Interrupt3:0**.

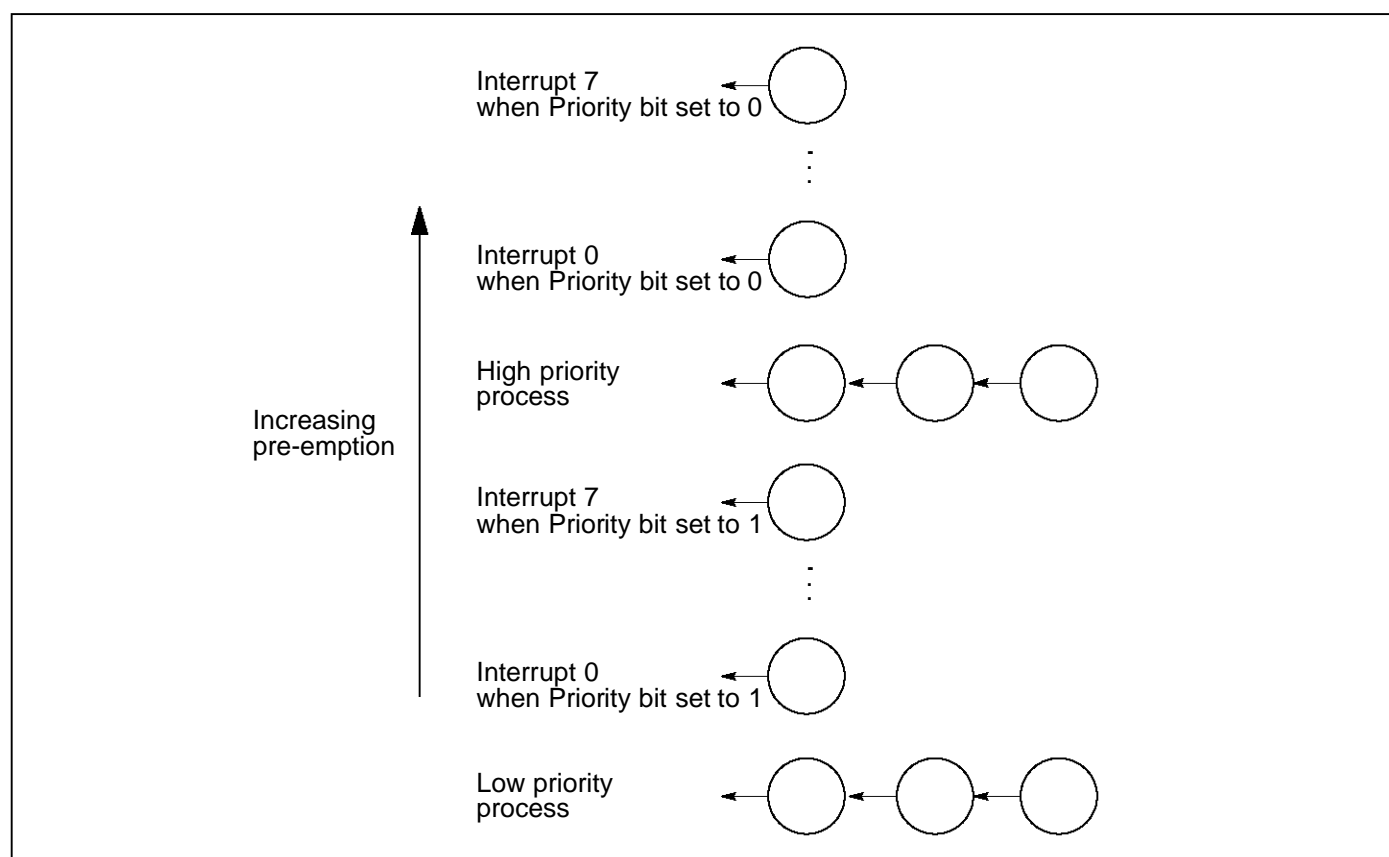


Figure 4.1 Interrupt priority

Interrupts on the ST20-TP2 are implemented via an on-chip interrupt controller peripheral. An interrupt can be signalled to the controller by one of the following:

- a signal on an external **Interrupt** pin
- a signal from an internal peripheral or subsystem
- software asserting an interrupt in the **Pending** register

4.1 Interrupt vector table

The interrupt controller contains a table of pointers to interrupt handlers. Each interrupt handler is represented by its workspace pointer (**Wptr**). The table contains a workspace pointer for each level of interrupt.

The **Wptr** gives access to the code, data and interrupt save space of the interrupt handler. The position of the **Wptr** in the interrupt table implies the priority of the interrupt.

Run-time library support is provided for setting and programming the vector table.

4.2 Interrupt handlers

At any interruptible point in its execution the CPU can receive an interrupt request from the interrupt controller. The CPU immediately acknowledges the request.

In response to receiving an interrupt the CPU performs a procedure call to the process in the vector table. The state of the interrupted process is stored in the workspace of the interrupt handler as shown in Figure 4.2. Each interrupt level has its own workspace.

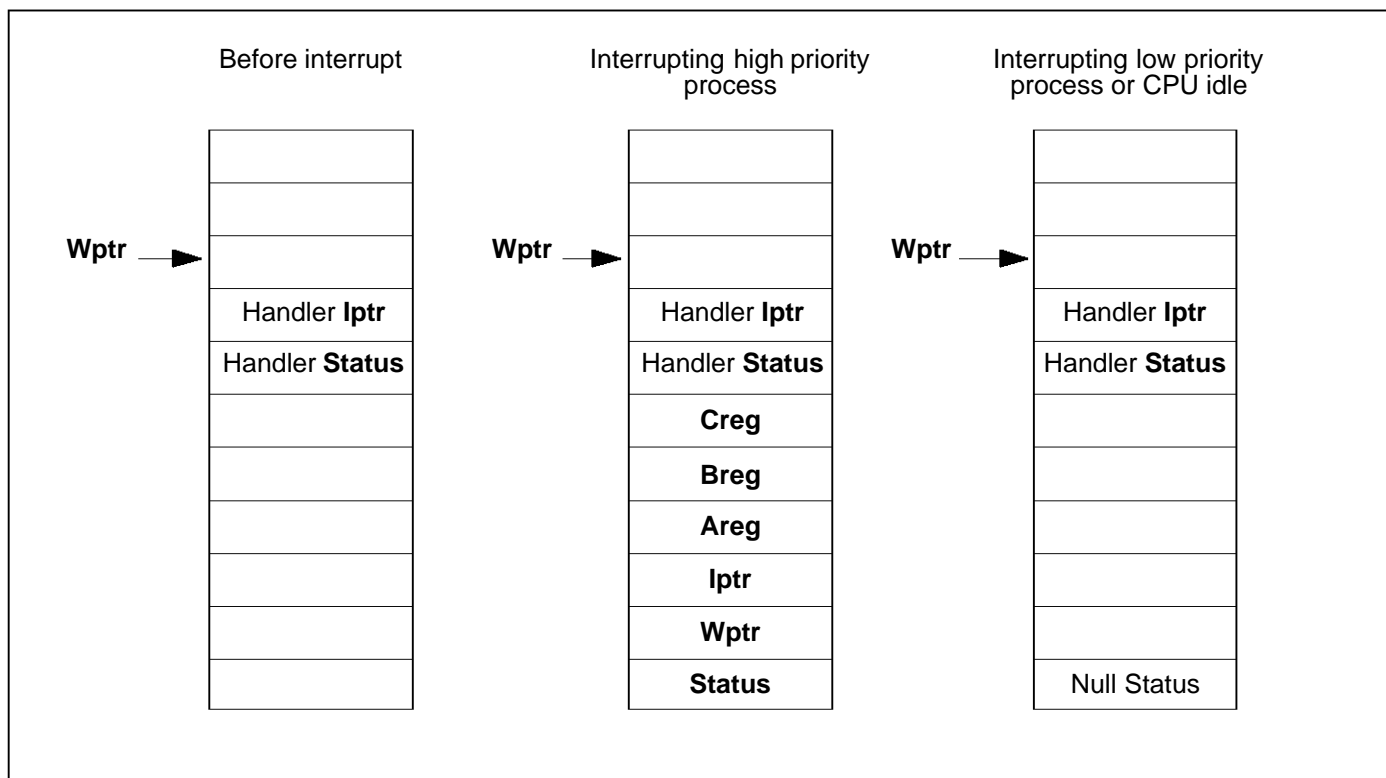


Figure 4.2 State of interrupted process

The interrupt routine is initialized with space below **Wptr**. The **Iptra** and **Status** word for the routine are stored there permanently. This should be programmed before the **Wptr** is written into the vector table. The behavior of the interrupt differs depending on the priority of the CPU when the interrupt occurs.

When an interrupt occurs when the CPU was running at high priority, and the interrupt is set at a higher priority than the high priority process queue, the CPU saves the current process state (**Areg**, **Breg**, **Creg**, **Wptr**, **Iptra** and **Status**) into the workspace of the interrupt handler. The value

HandlerWptr, which is stored in the interrupt controller, points to the top of this workspace. The values of **Iptra** and **Status** to be used by the interrupt handler are loaded from this workspace and starts executing the handler. The value of **Wptr** is then set to the bottom of this save area.

When an interrupt occurs when the CPU was running at high priority, and the interrupt is set at a lower priority than the high priority process queue, no action is taken and the interrupt waits in a queue until all higher priority interrupts have been serviced (see section 4.4).

Interrupts always take priority over low priority processes. When an interrupt occurs when the CPU was idle or running at low priority, the **Status** is saved. This indicates that no valid process is running (*Null Status*). The interrupted processes (low priority process) state is stored in shadow registers. This state can be accessed via the *ldshadow* (load shadow registers) and *stshadow* (store shadow registers) instructions. The interrupt handler is then run at high priority.

When the interrupt routine has completed it must adjust **Wptr** to the value at the start of the handler code and then execute the *iret* (interrupt return) instruction. This restores the interrupted state from the interrupt handler structure and signals to the interrupt controller that the interrupt has completed. The processor will then continue from where it was before being interrupted.

4.3 Interrupt latency

The interrupt latency is dependent on the data being accessed and the position of the interrupt handler and the interrupted process. This allows systems to be designed with the best trade-off use of fast internal memory and interrupt latency.

4.4 Preemption and interrupt priority

Each interrupt channel has an implied priority fixed by its place in the interrupt vector table. All interrupts will cause scheduled processes of any priority to be suspended and the interrupt handler started. Once an interrupt has been sent from the controller to the CPU the controller keeps a record of the current executing interrupt priority. This is only cleared when the interrupt handler executes a return from interrupt (*iret*) instruction. Interrupts of a lower priority arriving will be blocked by the interrupt controller until the interrupt priority has descended to such a level that the routine will execute. An interrupt of a higher priority than the currently executing handler will be passed to the CPU and cause the current handler to be suspended until the higher priority interrupt is serviced.

In this way interrupts can be nested and a higher priority interrupt will always pre-empt a lower priority one. Deep nesting and placing frequent interrupts at high priority can result in a system where low priority interrupts are never serviced or the controller and CPU time are consumed in nesting interrupt priorities and not executing the interrupt handlers.

4.5 Restrictions on interrupt handlers

There are various restrictions that must be placed on interrupt handlers to ensure that they interact correctly with the rest of the process model implemented in the CPU.

- 1 Interrupt handlers must not deschedule.
- 2 Interrupt handlers must not execute communication instructions. However they may com-

municate with other processes through shared variables using the semaphore *signal* to synchronize.

- 3 Interrupt handlers must not perform block move instructions.
- 4 Interrupt handlers must not cause program traps. However they may be trapped by a scheduler trap.

4.6 Interrupt configuration registers

The interrupt controller is allocated a 4k block of memory in the internal peripheral address space. Information on interrupts is stored in registers as detailed in the following section. The registers can be examined and set by the *dev/w* (device load word) and *devsw* (device store word) instructions. Note, they can not be accessed using memory instructions.

HandlerWptr register

The **HandlerWptr** registers (1 per interrupt) contain a pointer to the workspace of the interrupt handler. It also contains the **Priority** bit which determines whether the interrupt is at a higher or lower priority than the high priority process queue.

Note, before the interrupt is enabled, by writing a 1 in the **Mask** register, the user (or toolset) must ensure that there is a valid **Wptr** in the register.

HandlerWptr		Interrupt controller base address + #00 to #1C	Read/Write
Bit	Bit field	Function	
0	Priority	Sets the priority of the interrupt. If this bit is set to 0, the interrupt is a higher priority than the high priority process queue, if this bit is 1, the interrupt is a lower priority than the high priority process queue. <div style="margin-left: 40px;">0 high priority</div> <div style="margin-left: 40px;">1 low priority</div>	
31:2	HandlerWptr	Pointer to the workspace of the interrupt handler.	
1		Reserved, write 0.	

Table 4.1 **HandlerWptr** register format - one register per interrupt

TriggerMode register

Each interrupt channel can be programmed to trigger on rising/falling edges or high/low levels on the external **Interrupt**.

TriggerMode		Interrupt controller base address + #40 to #5C	Read/Write
Bit	Bit field	Function	
2:0	Trigger	Control the triggering condition of the Interrupt , as follows: Trigger2:0 Interrupt triggers on 000 No trigger mode 001 High level - triggered while input high 010 Low level - triggered while input low 011 Rising edge - low to high transition 100 Falling edge - high to low transition 101 Any edge - triggered on rising and falling edges 110 No trigger mode 111 No trigger mode	

Table 4.2 **TriggerMode** register format - one register per interrupt

Note, level triggering is different to edge triggering in that if the input is held at the triggering level, a continuous stream of interrupts is generated.

Mask register

An interrupt mask register is provided in the interrupt controller to selectively enable or disable external interrupts. This mask register also includes a global interrupt disable bit to disable all external interrupts whatever the state of the individual interrupt mask bits.

To complement this the interrupt controller also includes an interrupt pending register which contains a pending flag for each interrupt channel. The **Mask** register performs a masking function on the **Pending** register to give control over what is allowed to interrupt the CPU while retaining the ability to continually monitor external interrupts.

On start-up, the **Mask** register is initialized to zeros, thus all interrupts are disabled, both globally and individually. When a 1 is written to the **GlobalEnable** bit, the individual interrupt bits are still

disabled and must also have a 1 individually written to the **InterruptEnable** bit to enable the respective interrupt.

Mask		Interrupt controller base address + #C0	Read/Write
Bit	Bit field	Function	
0	Interrupt0Enable	When set to 1, interrupt 0 is enabled. When 0, interrupt 0 is disabled.	
1	Interrupt1Enable	When set to 1, interrupt 1 is enabled. When 0, interrupt 1 is disabled.	
2	Interrupt2Enable	When set to 1, interrupt 2 is enabled. When 0, interrupt 2 is disabled.	
3	Interrupt3Enable	When set to 1, interrupt 3 is enabled. When 0, interrupt 3 is disabled.	
4	Interrupt4Enable	When set to 1, interrupt 4 is enabled. When 0, interrupt 4 is disabled.	
5	Interrupt5Enable	When set to 1, interrupt 5 is enabled. When 0, interrupt 5 is disabled.	
6	Interrupt6Enable	When set to 1, interrupt 6 is enabled. When 0, interrupt 6 is disabled.	
7	Interrupt7Enable	When set to 1, interrupt 7 is enabled. When 0, interrupt 7 is disabled.	
16	GlobalEnable	When set to 1, the setting of the interrupt is determined by the specific InterruptEnable bit. When 0, all interrupts are disabled.	
15:8		Reserved, write 0.	

Table 4.3 **Mask** register format

The **Mask** register is mapped onto two additional addresses so that bits can be set or cleared individually.

Set_Mask (address 'interrupt base address + #C4') allows bits to be set individually. Writing a '1' in this register sets the corresponding bit in the **Mask** register, a '0' leaves the bit unchanged.

Clear_Mask (address 'interrupt base address + #C8') allows bits to be cleared individually. Writing a '1' in this register resets the corresponding bit in the **Mask** register, a '0' leaves the bit unchanged.

Pending register

The **Pending** register contains a bit per interrupt with each bit controlled by the corresponding interrupt. A read can be used to examine the state of the interrupt controller while a write can be used to explicitly trigger an interrupt.

A bit is set when the triggering condition for an interrupt is met. All bits are independent so that several bits can be set in the same cycle. Once a bit is set, a further triggering condition will have no effect. The triggering condition is independent of the **Mask** register.

The highest priority interrupt bit is reset once the interrupt controller has made an interrupt request to the CPU.

The interrupt controller receives external interrupt requests and makes an interrupt request to the CPU when it has a pending interrupt request of higher priority than the currently executing interrupt handler.

Pending		Interrupt controller base address + #80	Read/Write
Bit	Bit field	Function	
0	PendingInt0	Interrupt 0 pending bit.	
1	PendingInt1	Interrupt 1 pending bit.	
2	PendingInt2	Interrupt 2 pending bit.	
3	PendingInt3	Interrupt 3 pending bit.	
4	PendingInt4	Interrupt 4 pending bit.	
5	PendingInt5	Interrupt 5 pending bit.	
6	PendingInt6	Interrupt 6 pending bit.	
7	PendingInt7	Interrupt 7 pending bit.	

Table 4.4 Bit fields in the **Pending** register

The **Pending** register is mapped onto two additional addresses so that bits can be set or cleared individually.

Set_Pending (address 'interrupt base address + #84') allows bits to be set individually. Writing a '1' in this register sets the corresponding bit in the **Pending** register, a '0' leaves the bit unchanged.

Clear_Pending (address 'interrupt base address + #88') allows bits to be cleared individually. Writing a '1' in this register resets the corresponding bit in the **Pending** register, a '0' leaves the bit unchanged.

Note, if the CPU wants to write or clear some bits of the **Pending** register, the interrupts should be masked (by writing or clearing the **Mask** register) before writing or clearing the **Pending** register. The interrupts can then be unmasked.

Exec register

The **Exec** register keeps track of the currently executing and pre-empted interrupts. A bit is set when the CPU starts running code for that interrupt. The highest priority interrupt bit is reset once the interrupt handler executes a return from interrupt (*iret*).

Exec		Interrupt controller base address + #100	Read/Write
Bit	Bit field	Function	
0	Interrupt0Exec	Set to 1 when the CPU starts running code for interrupt 0.	
1	Interrupt1Exec	Set to 1 when the CPU starts running code for interrupt 1.	
2	Interrupt2Exec	Set to 1 when the CPU starts running code for interrupt 2.	
3	Interrupt3Exec	Set to 1 when the CPU starts running code for interrupt 3.	
4	Interrupt4Exec	Set to 1 when the CPU starts running code for interrupt 4.	
5	Interrupt5Exec	Set to 1 when the CPU starts running code for interrupt 5.	
6	Interrupt6Exec	Set to 1 when the CPU starts running code for interrupt 6.	
7	Interrupt7Exec	Set to 1 when the CPU starts running code for interrupt 7.	

Table 4.5 Bit fields in the **Exec** register

The **Exec** register is mapped onto two additional addresses so that bits can be set or cleared individually.

Set_Exec (address 'interrupt base address + #104') allows bits to be set individually. Writing a '1' in this register sets the corresponding bit in the **Exec** register, a '0' leaves the bit unchanged.

Clear_Exec (address 'interrupt base address + #108') allows bits to be cleared individually. Writing a '1' in this register resets the corresponding bit in the **Exec** register, a '0' leaves the bit unchanged.

5 Interrupt level controller

The interrupt level controller extends the number of possible interrupts to eighteen.

There are 18 interrupts (of which 4 are external) generated in the ST20-TP2 system and each of these is assigned to one of the interrupt controller's 8 inputs. Thus each of the interrupt controller's inputs responds to zero or more of the 18 system interrupts.

An interrupt handler routine is able to ascertain the source of an interrupt where two or more system interrupts are assigned to one handler by doing a device read from the **InputInterrupts** register (see Table 5.2) and examining the bits that correspond to the system interrupts assigned to that handler.

The assignment of interrupts to peripherals and external pins is given in the *Device Configuration* chapter.

The interrupt level controller has additional functionality to support the low power controller. The external interrupts are monitored and a signal is generated for the low power controller which tells it when any of them goes to a pre-determined level. This level is programmable for each external interrupt, and in addition each interrupt can be selectively masked.

5.1 Interrupt level controller registers

The interrupt level controller is programmable via configuration registers. These registers can be examined and set by the *devlw* (device load word) and *devsw* (device store word) instructions.

IntPriority registers

The priority assigned to each of the input interrupts is programmable via the **IntPriority** registers.

The interrupt level controller asserts interrupt output *N* when one or more of the input interrupts with programmed priority equal to *N* are high. It is level sensitive and re-timed at the input, thus incurring one cycle of latency.

IntPriority		Interrupt level controller base address + #00 to #44	Read/Write
Bit	Bit field	Function	
2:0	IntPriority	Determines the priority of each interrupt input. IntPriority2:0 Asserts output interrupt 000 0 (lowest priority) 001 1 010 2 011 3 100 4 101 5 110 6 111 7 (highest priority)	

Table 5.1 **IntPriority** register format - 1 register per interrupt

InputInterrupts register

The **InputInterrupts** register is a read only register. It contains a vector which shows all of the input interrupts, so bit 0 of the read data corresponds to **InterruptIn0**, bit 1 corresponds to **InterruptIn1**, etc.

Inputinterrupts		Interrupt level controller base address + #44 + #04	Read only
Bit	Bit field	Function	
17:0	InterruptIn17-0	Input interrupt levels.	

Table 5.2 **InputInterrupts** register format

SelectnotInv

Each of the four external interrupts can be programmed to be not inverting or inverting, depending on whether the interrupt is active high or active low.

SelectnotInv		Interrupt level controller base address + #44 + #08	Read/Write
Bit	Bit field	Function	
3:0	SelectnotInv	External interrupt sense for low power controller.	

Table 5.3 **SelectnotInv** register format

ExtIntEnable

The **ExtIntEnable** register enables each of the four external interrupts to be selectively enabled or disabled.

ExtIntEnable		Interrupt level controller base address + #44 + #0C	Read/Write
Bit	Bit field	Function	
3:0	ExtIntEnable	Enable external interrupt for low power controller.	

Table 5.4 **ExtIntEnable** register format

6 Instruction set

This chapter provides information on the instruction set. It contains tables listing all the instructions, and where applicable provides details of the number of processor cycles taken by an instruction.

The instruction set has been designed for simple and efficient compilation of high-level languages. All instructions have the same format, designed to give a compact representation of the operations occurring most frequently in programs.

Each instruction consists of a single byte divided into two 4-bit parts. The four most significant bits (MSB) of the byte are a function code and the four least significant bits (LSB) are a data value, as shown in Figure 6.1.

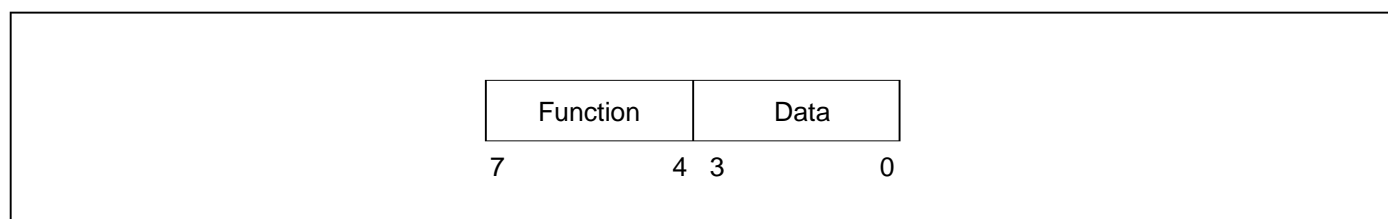


Figure 6.1 Instruction format

For further information on the instruction set refer to the *ST20C2/C4 Core Instruction Set Manual* (document number 72-TRN-273).

6.1 Instruction cycles

Timing information is available for some instructions. However, it should be noted that many instructions have ranges of timings which are data dependent.

Where included, timing information is based on the number of clock cycles assuming any memory accesses are to 2 cycle internal memory and no other subsystem is using memory. Actual time will be dependent on the speed of external memory and memory bus availability.

Note that the actual time can be increased by:

- 1 the instruction requiring a value on the register stack from the final memory read in the previous instruction – the current instruction will stall until the value becomes available.
- 2 the first memory operation in the current instruction can be delayed while a preceding memory operation completes - any two memory operations can be in progress at any time, any further operation will stall until the first completes .
- 3 memory operations in current instructions can be delayed by access by instruction fetch or subsystems to the memory interface.
- 4 there can be a delay between instructions while the instruction fetch unit fetches and partially decodes the next instruction – this will be the case whenever an instruction causes the instruction flow to jump.

Note that the instruction timings given refer to 'standard' behavior and may be different if, for example, traps are set by the instruction.

6.2 Instruction characteristics

The Primary Instructions Table 6.3 gives the basic function code. Where the operand is less than 16, a single byte encodes the complete instruction. If the operand is greater than 15, one prefix instruction (*prefix*) is required for each additional four bits of the operand. If the operand is negative the first prefix instruction will be *nfix*. Examples of *prefix* and *nfix* coding are given in Table 6.1.

Mnemonic	Function code	Memory code
<i>ldc</i> #3	#4	#43
<i>ldc</i> #35		
is coded as		
<i>prefix</i> #3	#2	#23
<i>ldc</i> #5	#4	#45
<i>ldc</i> #987		
is coded as		
<i>prefix</i> #9	#2	#29
<i>prefix</i> #8	#2	#28
<i>ldc</i> #7	#4	#47
<i>ldc</i> -31 (<i>ldc</i> #FFFFFFE1)		
is coded as		
<i>nfix</i> #1	#6	#61
<i>ldc</i> #1	#4	#41

Table 6.1 Prefix coding

Any instruction which is not in the instruction set tables is an invalid instruction and is flagged illegal, returning an error code to the trap handler, if loaded and enabled.

The **Notes** column of the tables indicates the descheduling and error features of an instruction as described in Table 6.2.

Ident	Feature
E	Instruction can set an <i>IntegerError</i> trap
L	Instruction can cause a <i>LoadTrap</i> trap
S	Instruction can cause a <i>StoreTrap</i> trap
O	Instruction can cause an <i>Overflow</i> trap
I	Interruptible instruction
A	Instruction can be aborted and later restarted.
D	Instruction can deschedule
T	Instruction can timeslice

Table 6.2 Instruction features

6.3 Instruction set tables

Function code	Memory code	Mnemonic	Processor cycles	Name	Notes
0	0X	j	7	jump	D, T
1	1X	ldlp	1	load local pointer	
2	2X	pfix	0 to 3	prefix	
3	3X	ldnl	1	load non-local	
4	4X	ldc	1	load constant	
5	5X	ldnlp	1	load non-local pointer	
6	6X	nfix	0 to 3	negative prefix	
7	7X	ldl	1	load local	
8	8X	adc	2 to 3	add constant	O
9	9X	call	8	call	
A	AX	cj	1 or 7	conditional jump	
B	BX	ajw	2	adjust workspace	
C	CX	eqc	1	equals constant	
D	DX	stl	1	store local	
E	EX	stnl	2	store non-local	
F	FX	opr	0	operate	

Table 6.3 Primary functions

Memory code	Mnemonic	Processor cycles	Name	Notes
22FA	testpranal	1	test processor analyzing	
23FE	saveh	3	save high priority queue registers	
23FD	savel	3	save low priority queue registers	
21F8	sthf	1	store high priority front pointer	
25F0	sthb	1	store high priority back pointer	
21FC	stlf	1	store low priority front pointer	
21F7	stlb	1	store low priority back pointer	
25F4	sttimer	2	store timer	
68FC	ldprodid	1	load device identity	
27FE	ldmemstartval	1	load value of MemStart address	

Table 6.4 Processor initialization operation codes

Memory code	Mnemonic	Processor cycles	Name	Notes
24F6	and	1	and	
24FB	or	1	or	
23F3	xor	1	exclusive or	
23F2	not	1	bitwise not	
24F1	shl	1	shift left	
24F0	shr	1	shift right	
F5	add	2	add	A, O
FC	sub	2	subtract	A, O
25F3	mul	3	multiply	A, O
27F2	fmul	5	fractional multiply	A, O
22FC	div	4 to 35	divide	A, O
21FF	rem	3 to 35	remainder	A, O
F9	gt	2	greater than	A
25FF	gtu	2	greater than unsigned	A
F4	diff	1	difference	
25F2	sum	1	sum	
F8	prod	3	product	A
26F8	satadd	2 to 3	saturating add	A
26F9	satsub	2 to 3	saturating subtract	A
26FA	satmul	4	saturating multiply	A

Table 6.5 Arithmetic/logical operation codes

Memory code	Mnemonic	Processor cycles	Name	Notes
21F6	ladd	2	long add	A, O
23F8	lsub	2	long subtract	A, O
23F7	lsum	1	long sum	
24FF	ldiff	1	long diff	
23F1	lmul	4	long multiply	A
21FA	ldiv	3 to 35	long divide	A, O
23F6	lshl	2	long shift left	A
23F5	lshr	2	long shift right	A
21F9	norm	3	normalize	A
26F4	slmul	4	signed long multiply	A, O
26F5	sulmul	4	signed times unsigned long multiply	A, O

Table 6.6 Long arithmetic operation codes

Memory code	Mnemonic	Processor cycles	Name	Notes
F0	rev	1	reverse	
23FA	xword	3	extend to word	A
25F6	cword	2 to 3	check word	A, E
21FD	xdbl	1	extend to double	
24FC	csngl	2	check single	A, E
24F2	mint	1	minimum integer	
25FA	dup	1	duplicate top of stack	
27F9	pop	1	pop processor stack	
68FD	reboot	2	reboot	

Table 6.7 General operation codes

Memory code	Mnemonic	Processor cycles	Name	Notes
F2	bsub	1	byte subscript	
FA	wsub	1	word subscript	
28F1	wsubdb	1	form double word subscript	
23F4	bcnt	1	byte count	
23FF	wcnt	1	word count	
F1	lb	1	load byte	
23FB	sb	2	store byte	
24FA	move		move message	I

Table 6.8 Indexing/array operation codes

Memory code	Mnemonic	Processor cycles	Name	Notes
22F2	ldtimer	1	load timer	
22FB	tin		timer input	I
24FE	talt	3	timer alt start	
25F1	taltwt		timer alt wait	D, I
24F7	enbt	1 to 7	enable timer	
22FE	dist		disable timer	I

Table 6.9 Timer handling operation codes

Memory code	Mnemonic	Processor cycles	Name	Notes
F7	in		input message	D
FB	out		output message	D
FF	outword		output word	D
FE	outbyte		output byte	D
24F3	alt	2	alt start	
24F4	altwt	3 to 6	alt wait	D
24F5	altend	8	alt end	
24F9	enbs	1 to 2	enable skip	
23F0	diss	1	disable skip	
21F2	resetch	3	reset channel	
24F8	enbc	1 to 4	enable channel	
22FF	disc	1 to 6	disable channel	

Table 6.10 Input and output operation codes

Memory code	Mnemonic	Processor cycles	Name	Notes
22F0	ret	2	return	
21FB	ldpi	1	load pointer to instruction	
23FC	gajw	2 to 3	general adjust workspace	
F6	gcall	6	general call	
22F1	lend	4 to 5	loop end	T

Table 6.11 Control operation codes

Memory code	Mnemonic	Processor cycles	Name	Notes
FD	startp	5 to 6	start process	
F3	endp	4 to 6	end process	D
23F9	runp	3	run process	
21F5	stopp	2	stop process	
21FE	ldpri	1	load current priority	

Table 6.12 Scheduling operation codes

Memory code	Mnemonic	Processor cycles	Name	Notes
21F3	csub0	2	check subscript from 0	A, E
24FD	ccnt1	2	check count from 1	A, E
22F9	testerr	1	test error false and clear	
21F0	seterr	1	set error	
25F5	stoperr	1 to 3	stop on error (no error)	D
25F7	clrhalterr	2	clear halt-on-error	
25F8	sethalterr	1	set halt-on-error	
25F9	testhalterr	1	test halt-on-error	

Table 6.13 Error handling operation codes

Memory code	Mnemonic	Processor cycles	Name	Notes
25FB	move2dinit	1	initialize data for 2D block move	
25FC	move2dall		2D block copy	I
25FD	move2dnnonzero		2D block copy non-zero bytes	I
25FE	move2dzero		2D block copy zero bytes	I

Table 6.14 2D block move operation codes

Memory code	Mnemonic	Processor cycles	Name	Notes
27F4	crcword	34	calculate crc on word	A
27F5	crcbyte	10	calculate crc on byte	A
27F6	bitcnt	3	count bits set in word	A
27F7	bitrevword	1	reverse bits in word	
27F8	bitrevnbits	2	reverse bottom n bits in word	A

Table 6.15 CRC and bit operation codes

Memory code	Mnemonic	Processor cycles	Name	Notes
27F3	cflerr	2	check floating point error	E
29FC	fpsterr	1	load value true (FPU not present)	
26F3	unpacksn	4	unpack single length floating point number	A
26FD	roundsn	7	round single length floating point number	A
26FC	postnormsn	7 to 8	post-normalize correction of single length floating point number	A
27F1	ldinf		load single length infinity	

Table 6.16 Floating point support operation codes

Memory code	Mnemonic	Processor cycles	Name	Notes
2CF7	cir	2 to 4	check in range	A, E
2CFC	ciru	2 to 4	check in range unsigned	A, E
2BFA	cb	2 to 3	check byte	A, E
2BFB	cbu	2 to 3	check byte unsigned	A, E
2FFA	cs	2 to 3	check sixteen	A, E
2FFB	csu	2 to 3	check sixteen unsigned	A, E
2FF8	xsword	2	sign extend sixteen to word	A
2BF8	xbword	3	sign extend byte to word	A

Table 6.17 Range checking and conversion instructions

Memory code	Mnemonic	Processor cycles	Name	Notes
2CF1	ssub	1	sixteen subscript	
2CFA	ls	1	load sixteen	
2CF8	ss	2	store sixteen	
2BF9	lbx	1	load byte and sign extend	
2FF9	lsx	1	load sixteen and sign extend	

Table 6.18 Indexing/array instructions

Memory code	Mnemonic	Processor cycles	Name	Notes
2FF0	devlb	3	device load byte	A
2FF2	devls	3	device load sixteen	A
2FF4	devlw	3	device load word	A
62F4	devmove		device move	I
2FF1	devsb	3	device store byte	A
2FF3	devss	3	device store sixteen	A
2FF5	devsw	3	device store word	A

Table 6.19 Device access instructions

Memory code	Mnemonic	Processor cycles	Name	Notes
60F5	wait	4 to 10	wait	D
60F4	signal	6 to 10	signal	

Table 6.20 Semaphore instructions

Memory code	Mnemonic	Processor cycles	Name	Notes
60F0	swapqueue	3	swap scheduler queue	
60F1	swaptimer	5	swap timer queue	
60F2	insertqueue	1 to 2	insert at front of scheduler queue	
60F3	timeslice	3 to 4	timeslice	
60FC	ldshadow	6 to 23	load shadow registers	A
60FD	stshadow	5 to 17	store shadow registers	A
62FE	restart	19	restart	
62FF	causeerror	2	cause error	
61FF	iret	3 to 9	interrupt return	
2BF0	settimeslice	1	set timeslicing status	
2CF4	intdis	1	interrupt disable	
2CF5	intenable	2	interrupt enable	
2CFD	gintdis	2	global interrupt disable	
2CFE	gintenable	2	global interrupt enable	

Table 6.21 Scheduling support instructions

Memory code	Mnemonic	Processor cycles	Name	Notes
26FE	ldtraph	11	load trap handler	L
2CF6	ldtrapped	11	load trapped process status	L
2CFB	sttrapped	11	store trapped process status	S
26FF	sttraph	11	store trap handler	S
60F7	trapenb	2	trap enable	
60F6	trapdis	2	trap disable	
60FB	tret	9	trap return	

Table 6.22 Trap handler instructions

Memory code	Mnemonic	Processor cycles	Name	Notes
63F0	nop	1	no operation	

Table 6.23 No operation instruction

Memory code	Mnemonic	Processor cycles	Name	Notes
64FF	clockenb	2	clock enable	
64FE	clockdis	2	clock disable	
64FD	ldclock	1	load clock	
64FC	stclock	2	store clock	

Table 6.24 Clock instructions

7 Memory map

The ST20-TP2 processor memory has a 32-bit signed address range. Words are addressed by 30-bit word addresses and a 2-bit byte-selector identifies the bytes in the word. Memory is divided into 4 banks which can each have different memory characteristics and can be used for different purposes. In addition, on-chip peripherals can be accessed via the device access instructions.

Various memory locations at the bottom and top of memory are reserved for special system purposes. There is also a default allocation of memory banks to different uses.

7.1 System memory use

The ST20-TP2 has a signed address space where the address ranges from **MinInt** (#80000000) at the bottom to **MaxInt** (#7FFFFFFF) at the top. The ST20-TP2 has an area of 8 Kbytes of RAM at the bottom of the address space provided by on chip memory. The bottom of this area is used to store various items of system state. These addresses should not be accessed directly but via the appropriate instructions.

Near the bottom of the address space there is a special address **MemStart**. Memory above this address is for use by user programs while addresses below it are for private use by the processor and used for subsystem channels and trap handlers. The address of **MemStart** can be obtained via the *ldmemstartval* instruction.

7.1.1 Subsystem channels memory

Each DMA channel between the processor and a subsystem is allocated a word of storage below **MemStart**. This is used by the processor to store information about the state of the channel. This information should not normally be examined directly, although debugging kernels may need to do so.

Boot channel

The subsystem channel which is a link input channel is identified as a 'boot channel'. When the processor is reset, and is set to boot from link, it waits for boot commands on this channel.

7.1.2 Trap handlers memory

The area of memory reserved for trap handlers is broken down hierarchically. Full details on trap handlers is given in section 3.6.

- Each high/low process priority has a set of trap handlers.
- Each set of trap handlers has a handler for each of the four trap groups (refer to section 3.6.1).
- Each trap group handler has a trap handler structure and a trapped process structure.
- Each of the structures contains four words, as detailed in section 3.6.3.

The contents of these addresses can be accessed via *ldtraph*, *sttraph*, *ldtrapped* and *sttrapped* instructions.

7.2 Boot ROM

When the processor boots from ROM, it jumps to a boot program held in ROM with an entry point 2 bytes from the top of memory at #7FFFFFFE. These 2 bytes are used to encode a negative jump of up to 256 bytes down in the ROM program. For large ROM programs it may then be necessary to encode a longer negative jump to reach the start of the routine.

7.3 Internal peripheral space

On-chip peripherals are mapped to addresses in the top half of memory bank 2 (address range #20000000 to #3FFFFFFF). They can only be accessed by the device access instructions (see Table 6.19). When used with addresses in this range, the device instructions access the on-chip peripherals rather than external memory. For all other addresses the device instructions access memory. Standard load/store instructions to these addresses will access external memory.

This area of memory is allocated to peripherals in 4K blocks, see the following memory map.

	Address	Use
MaxInt	#7FFFFFFF	
BootEntry	#7FFFFFFE	Boot entry point
	#7FFFFFFD ↑ #40000000	User code/Data/Stack and Boot ROM
	#3FFFFFFF ↑ #20028000	RESERVED
	#20027FFF ↑ #20027000	Section filter DMA controller peripheral (registers accessed via CPU device accesses)
	#20026FFF ↑ #20026000	Block move DMA controller peripheral (registers accessed via CPU device accesses)
	#20025FFF ↑ #20025000	P1284 DMA controller peripheral (registers accessed via CPU device accesses)
	#20024FFF ↑ #20024000	Teletext DMA controller peripheral (registers accessed via CPU device accesses)
	#20023FFF ↑ #20023000	RESERVED

Figure 7.1 ST20-TP2 memory map

Address	Use
#20022FFF ↑ #20022000	DVB descrambler controller peripheral (registers accessed via CPU device accesses)
#20021FFF ↑ #20021000	MPEG1 DMA controller peripheral (registers accessed via CPU device accesses)
#20020FFF ↑ #20020000	MPEG0 DMA controller peripheral (registers accessed via CPU device accesses)
#2001FFFF ↑ #20012000	RESERVED
#20011FFF ↑ #20011000	Interrupt level controller peripheral (registers accessed via CPU device accesses)
#20010FFF ↑ #20010000	PIO4 controller peripheral (registers accessed via CPU device accesses)
#2000FFFF ↑ #2000F000	PIO3 controller peripheral (registers accessed via CPU device accesses)
#2000EFFF ↑ #2000E000	PIO2 controller peripheral (registers accessed via CPU device accesses)
#2000DFFF ↑ #2000D000	PIO1 controller peripheral (registers accessed via CPU device accesses)
#2000CFFF ↑ #2000C000	PIO0 controller peripheral (registers accessed via CPU device accesses)
#2000BFFF ↑ #2000B000	PWM and counter controller peripheral (registers accessed via CPU device accesses)
#2000AFFF ↑ #2000A000	SSC1 controller peripheral (registers accessed via CPU device accesses)

Figure 7.1 ST20-TP2 memory map

Address	Use
#20009FFF ↑ #20009000	SSC0 controller peripheral (registers accessed via CPU device accesses)
#20008FFF ↑ #20008000	SmartCard1 clock generator peripheral (registers accessed via CPU device accesses)
#20007FFF ↑ #20007000	SmartCard0 clock generator peripheral (registers accessed via CPU device accesses)
#20006FFF ↑ #20006000	ASC3 (SmartCard1) controller peripheral (registers accessed via CPU device accesses)
#20005FFF ↑ #20005000	ASC2 (SmartCard0) controller peripheral (registers accessed via CPU device accesses)
#20004FFF ↑ #20004000	ASC1 controller peripheral (registers accessed via CPU device accesses)
#20003FFF ↑ #20003000	ASC0 controller peripheral (registers accessed via CPU device accesses)
#20002FFF ↑ #20002000	EMI controller peripheral (registers accessed via CPU device accesses)
#20001FFF ↑ #20001000	RESERVED
#20000FFF ↑ #20000000	Interrupt and low power controller peripheral (registers accessed via CPU device accesses)
#1FFFFFFF ↑ #00000000	External peripherals or memory

Figure 7.1 ST20-TP2 memory map

	Address	Use
<i>Start of external memory</i>	#FFFFFFFF	User code/Data/Stack
	↑ #80002000	
MemStart	↑ #80000140	
	#80000130	Low priority Scheduler trapped process
	#80000120	Low priority Scheduler trap handler
	#80000110	Low priority SystemOperations trapped process
	#80000100	Low priority SystemOperations trap handler
	#800000F0	Low priority Error trapped process
	#800000E0	Low priority Error trap handler
	#800000D0	Low priority Breakpoint trapped process
	#800000C0	Low priority Breakpoint trap handler
	#800000B0	High priority Scheduler trapped process
	#800000A0	High priority Scheduler trap handler
	#80000090	High priority SystemOperations trapped process
	#80000080	High priority SystemOperations trap handler
	#80000070	High priority Error trapped process
	#80000060	High priority Error trap handler
	TrapBase	#80000050
#80000040		High priority Breakpoint trap handler
#8000003C		RESERVED
#80000038		
#80000034		Block move DMA controller channel out
#80000030		RESERVED
#8000002C		Link-IC input channel
#80000028		DVBC DMA channel
#80000024		MPEG1 DMA channel
#80000020		MPEG0 DMA channel
#8000001C		RESERVED
↑ #80000014		
#80000010	Link0 (boot) input channel	
MinInt	#8000000C	RESERVED
	↑ #80000004	
	#80000000	Link0 output channel

Figure 7.1 ST20-TP2 memory map

8 Memory subsystem

The memory system consists of SRAM and an external memory interface (EMI). The specific details on the operation of the EMI are described separately in Chapter 9.

8.1 SRAM

There is an internal memory module of 8 Kbytes of SRAM. The internal SRAM is mapped into the base of the memory space from **MinInt** (#80000000) extending upwards, as shown in Figure 8.1.

This memory can be used to store on-chip data, stack or code for time critical routines.

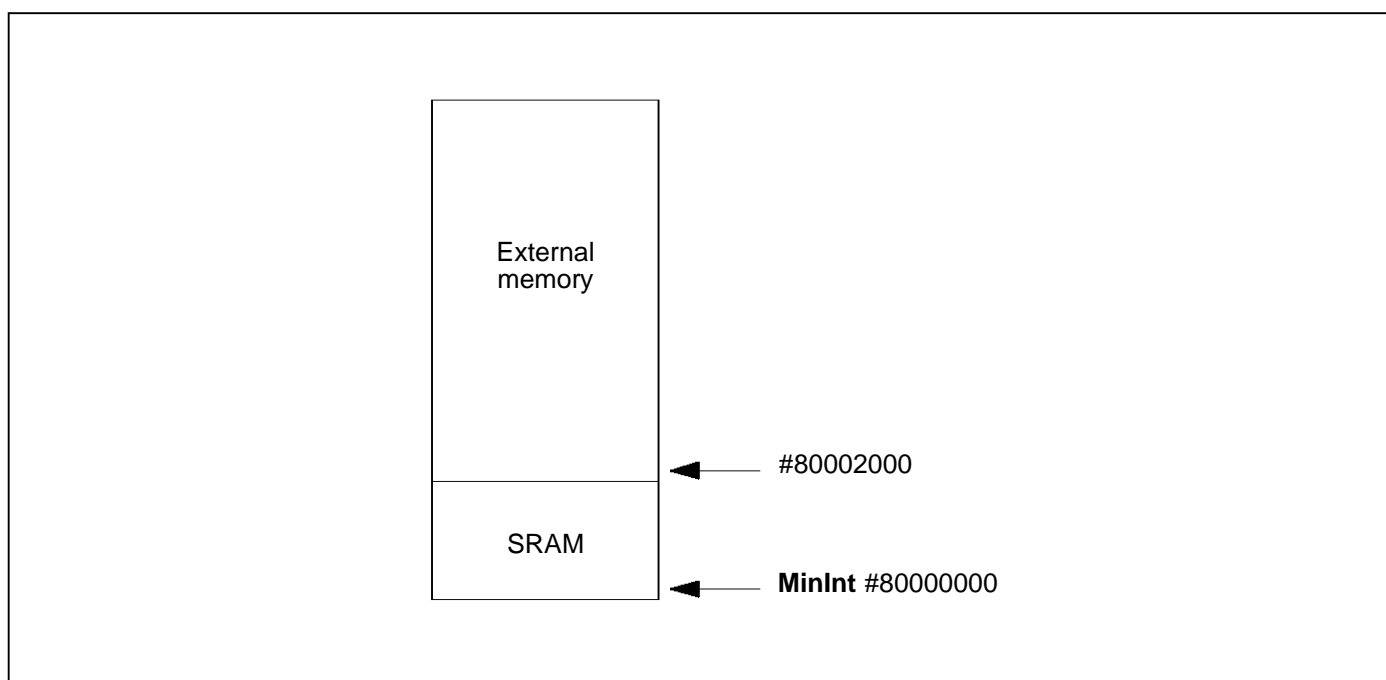


Figure 8.1 SRAM mapping

Where internal memory overlays external memory, internal memory is accessed in preference.

9 External memory interface

The External Memory Interface (EMI) controls the movement of data between the ST20-TP2 and off-chip memory.

The EMI can access a 16 Mbyte (or greater if DRAM is used) physical address space in three general purpose memory banks, and, for 50Mhz operation, provides sustained transfer rates of up to 100 Mbytes/s for SRAM, and up to 50 Mbytes/s using page-mode DRAM. The EMI includes programmable strobes to support direct interfacing to MPEG decoder devices, and is designed to support the memory subsystems required in most set top receiver applications with zero external support logic including 16 and 32-bit DRAM devices.

The interface can be configured for a wide variety of timing and decode functions through configuration registers.

The external address space is partitioned into four banks, with each bank occupying one quarter of the address space (see Figure 9.1). This allows the implementation of mixed memory systems, with support for DRAM, SRAM, EPROM, VRAM and I/O. The timing of each of the four memory banks can be selected separately, with a different device type being placed in each bank with no external hardware support.

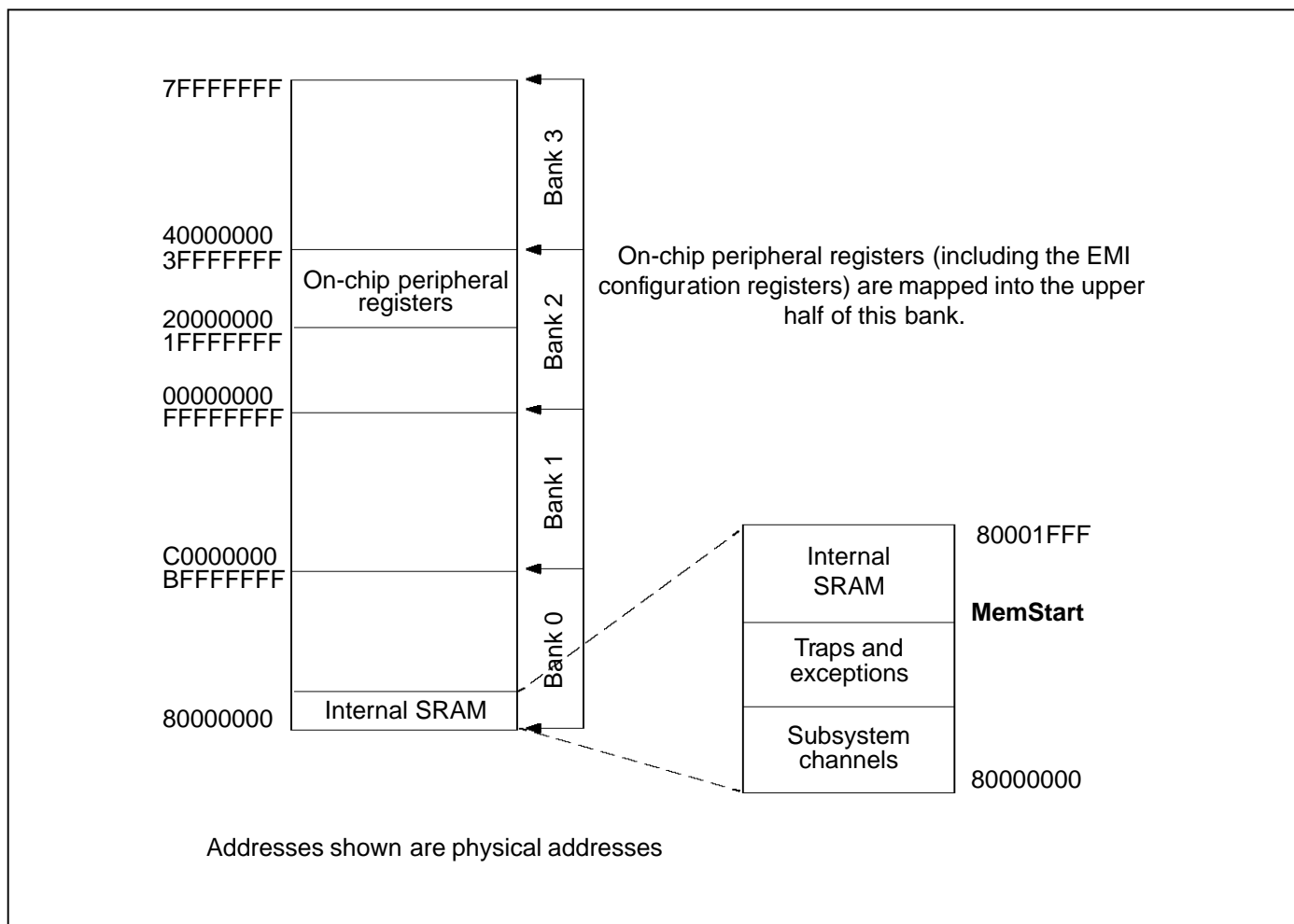


Figure 9.1 Memory allocation

On-chip internal SRAM is located at the bottom of memory. Internal SRAM is internally divided into three regions. The first at the bottom is used for channel storage space, the second region is reserved for traps and exceptions, the third region is free for program use. The boundary between the second and third region is called **MemStart** and is the lowest location in memory available for general use.

Support is provided for MPEG application devices. Bank 2 of the EMI is nominally allocated as the peripheral bank. It is in this address range that the on-chip peripheral registers appear when using device accesses. Strokes in this bank are provided to support access to the external MPEG audio and MPEG video application devices. The programmability of the EMI and the format of these strokes make the ST20-TP2 suitable for use with a range of MPEG application ICs available today and in the future.

Word addressing is used. Support for byte and part-word addressing is provided.

In this chapter a *cycle* is one processor clock cycle and a *phase* is one half of the duration of one processor clock cycle.

9.1 Pin functions

The following section describes the functions of the external memory interface pins. Note that a signal name prefixed by **not** indicates active low.

MemData0-31

The data bus transfers 32, 16 or 8-bit data items depending on the bus width configuration. The least significant bit of the data bus is always **MemData0**. The most significant bit varies with bus width, **MemData31** for 32-bit data items, **MemData15** for 16-bit data items, and **MemData7** for 8-bit data items.

MemAddr2-23

The address bus may be operated in both multiplexed and non-multiplexed modes. When a bank is configured to contain DRAM, or other multiplexed memory, then the internally generated 32-bit address is multiplexed as row and column addresses through the external address bus.

notMemBE0-3

The ST20-TP2 uses word addressing and four byte-enable strokes are provided. Use of the byte enable pins depends on the bus width.

- 32-bit wide memory is defined as an array of 4 byte words with 30 address bits selecting a 4 byte word. Each byte of this array is addressable with the byte enable pins **notMemBE0-3** selecting a byte within a word.
- 16-bit wide memory is defined as an array of 2 byte words with 31 address bits selecting a 2 byte word and **notMemBE0-1** selecting a byte within the word.
- 8-bit wide memory is defined as an array of 1 byte words with 32 address bits selecting a word.

For 16-bit and 8-bit wide memory, the lower order address bits (**A1** and **A0**) are multiplexed onto the unused byte-enable pins to give an address bus 31 or 32-bits wide respectively.

notMemBE0 addresses the least significant byte of a word. Both strobes have the same timing and may be configured to be active on read and or write cycles.

The function of the byte enables **notMemBE0-3** for different bank size configurations is given in Table 9.1 below. Note that other bus masters must not drive the same data pins during a write.

Pin	External port size		
	32-bit	16-bit	8-bit
notMemBE3	enables MemData24-31	becomes A1	becomes A1
notMemBE2	enables MemData16-23	undefined	becomes A0
notMemBE1	enables MemData8-15	enables MemData8-15	undefined
notMemBE0	enables MemData0-7	enables MemData0-7	enables MemData0-7

Table 9.1 **notMemBE0-3** pins

notMemRAS0/1/3

One programmable RAS strobe is allocated to each of banks 0, 1 and 3 which are decoded on chip. If a bank is programmed to contain DRAM, or other multiplexed memory, then the associated **notMemRAS** pin acts as its RAS strobe by default. For banks which do not contain DRAM the **notMemRAS** pin is available as a general purpose programmable strobe.

notMemCAS0-3

The programmable CAS strobes can be individually programmed to be in one of two modes.

- Bank mode in which each strobe is used as the CAS strobe for a single bank.
- Byte mode in which the CAS strobe is used as a byte decoded CAS strobe and can be used across multiple banks.

Byte mode is used to support 16 or 32-bit wide DRAMs or DRAM modules that provide multiple CAS strobes, one for each byte, and a single write signal to allow byte write operations. The alternative type DRAMs that have multiple write signals, one for each byte, and a single CAS to allow byte write operations or banks that are constructed from 1, 4, or 8-bit wide DRAMs can be interfaced using bank mode.

Byte mode and bank mode can be mixed in an application if the DRAM bank or banks that use byte mode are 16 bits wide. In this case only **notMemCAS0** and **notMemCAS1** need to be in byte mode and the other two CAS strobes can be used either as a bank mode CAS strobe or as a general purpose strobe.

Note, the only useful combinations of byte mode CAS strobes are all four programmed to byte mode to support 32-bit DRAM banks, and **notMemCAS0** and **notMemCAS1** programmed to byte mode to support 16-bit DRAM banks.

For banks which do not contain DRAM the **notMemCAS** pin is available as a general purpose programmable strobe.

CAS strobes in bank mode

One programmable CAS strobe is allocated to each of banks 0, 1, 2 and 3 which are decoded on chip. If a bank is programmed to contain DRAM, or other multiplexed memory, then the associated **notMemCAS** pin acts as its CAS strobe by default.

CAS strobes in byte mode

For banks containing DRAM, which require byte decoded CAS strobes, one programmable CAS strobe is allocated to each byte. Each of the CAS strobes in this mode will have the timing programmed into the CAS timing configuration registers, of the bank being accessed, if they are active during that cycle. Byte mode CAS strobes are active during an access if the byte corresponding to the strobe is being accessed.

During refresh cycles all of the CAS strobes in this mode will go low at the start of the cycle and remain low until the end of the cycle.

The table below shows the correspondence between widest byte decoded DRAM bank size and use of byte mode strobes, and data bytes and the byte mode CAS strobes. Only the CAS strobes that enable bytes that are being accessed will be active during an access cycle.

CAS strobe	Widest byte mode DRAM bank	
	32-bit	16-bit
notMemCAS3	enables MemData24-31	bank 3 CAS strobe in byte mode or programmable strobe
notMemCAS2	enables MemData16-23	bank 2 CAS strobe in byte mode or programmable strobe
notMemCAS1	enables MemData8-15	enables MemData8-15
notMemCAS0	enables MemData0-7	enables MemData0-7

Table 9.2 Byte mode **notMemCAS0-3** strobe pins

notMemPS0/1/3

These additional general purpose programmable strobes (one for each of banks 0, 1 and 3) may be programmed in the same way as the **notMemCAS0/1/3** strobes.

notCS0-1 and notCDSTRB0-1

Four strobes are provided in bank 2 to support access to the external MPEG audio and MPEG video decoder devices. There are two decoder IC chip selects (**notCS0-1**) and two compressed data strobes (**notCDSTRB0-1**).

MemWait

Wait states can be generated by taking **MemWait** high. **MemWait** is sampled during **RASTime** and **CASTime**. **MemWait** retains the state of any strobe during the cycle in which **MemWait** was asserted. **MemWait** suspends the cycle counter and the strobe generation logic until deasserted. When **MemWait** is de-asserted cycles continue as programmed by the configuration interface.

MemReq, MemGranted

Direct memory access (DMA) can be requested at any time by driving the synchronous **MemReq** signal high. The address and data buses are tristated after the current memory access or refresh cycle terminates.

Strobes are left inactive during the DMA transfer. If a DMA is active for longer than one programmed refresh interval then external logic is responsible for providing refresh.

The **MemGranted** signal follows the timing of the bus being tristated and can be used to signal to the device requesting the DMA that it has control of the bus.

Table 9.3 below lists the processor pin state while **MemGranted** is asserted.

MemGranted asserted	
Pin name	Pin state
MemAddr2-23	floating
MemData0-31	floating
notMemBE0-3	inactive
notMemRAS0/1/3	inactive
notMemCAS0-3	inactive
notMemPS0/1/3	inactive
notMemRf	inactive
notMemRd	inactive
notCS0-1	inactive
notCDSTRB0-1	inactive

Table 9.3 Pin states while **MemGranted** is asserted

notMemRd

The **notMemRd** signal indicates that the current cycle is a read cycle. It is asserted low at the beginning of the read cycle and deasserted high at the end of the read cycle.

notMemRf

The **notMemRf** signal indicates that the current cycle is a refresh cycle. It is asserted low at the beginning of the refresh cycle and deasserted high at the end of the refresh cycle.

ProcClockOut

Reference signal for external bus cycles. **ProcClockOut** oscillates at the processor clock frequency.

BootSource0-1

The **BootSource0-1** pins determine whether the ST20-TP2 will boot from link or from ROM. When the **BootSource0-1** pins are both held low the ST20-TP2 will boot from its link. If either or both pins are high the ST20-TP2 will boot from ROM, as shown in Table 9.4. Boot code is run from a slow

external ROM placed in bank 3 (at the top of memory). The **BootSource0-1** pins also encode the size of bank 3. This overrides the value in the configuration registers for the **PortSize** for bank 3.

BootSource1:0	Function
0:0	Boot from link. The ST20-TP2 loads bootstrap down the link and executes from MemStart .
0:1	Boot from ROM. Port size of bank 3 hardwired to 32-bits.
1:0	Boot from ROM. Port size of bank 3 hardwired to 16-bits.
1:1	Boot from ROM. Port size of bank 3 hardwired to 8-bits.

Table 9.4 **BootSource0-1** pin settings

When booting from the link, the port size of bank 3 must be configured as with any other EMI parameter, otherwise the **PortSize** field in the **ConfigDataField1** register for bank 3 (see section 9.3) will be overridden by the value on the **BootSource0-1** pins.

If the ST20-TP2 is set to boot from link, the bootstrap must execute from internal memory until the EMI has been configured. If this is not possible then the EMI must be completely configured using *poke* commands down a link before loading the bootstrap into external memory and executing it.

9.2 External bus cycles

The external memory interface is designed to provide efficient support for dynamic memory without compromising support for other devices, such as static memory and IO devices. This flexibility is provided by allowing the required waveforms to be programmed via configuration registers (see section 9.3).

Memory is byte addressed, with words aligned on four-byte boundaries for 32-bit devices and on two-byte boundaries for 16-bit devices.

During read cycles byte level addressing is performed internally by the ST20-TP2. The EMI can read bytes, half-words or words. It always reads the size of the bank.

During read or write cycles the ST20-TP2 uses the **notMemBE0-3** strobes to perform addressing of bytes. If a particular byte is not to be written then the corresponding data outputs are tristated. Writes can be less than the size of the bank.

The internally generated address is indicated on pins **MemAddr2-23**, however the low order address bits **A0** and **A1** have different functions depending on the size of the external data bus, see Table 9.1. The least significant bit of the data bus is always **MemData0**. The most significant bit can be adjusted dynamically to suit the required external bus size.

Note that data pins which are not used during a write access are tristated, for example, for an 8-bit bus pins **MemData8-31** are tristated.

A generic memory interface cycle consists of a number of defined periods, or times, as shown in Figure 9.2. This generic memory cycle uses DRAM terminology to clarify the use of the interface in the most complex situations, but can be programmed to provide waveforms for a wide range of other device types. The timing of each of the four memory banks can be programmed separately, with a different device type being placed in each bank with no external hardware support.

The **RASTime** and **CASTime** are consecutive. The **CASTime** can be followed by concurrent **Pre-charge** and **BusRelease** times. Thus, for DRAM, the times are used for RAS, CAS, and precharge

respectively. For non-multiplexed addressed memory the **RASTime** can be programmed to be zero.

If the **RASTime** is programmed to be non-zero, and page-mode memory is programmed in a bank, the **RASTime** will only occur if consecutive accesses are not in the same page. The **RASTime** will not commence until the **PrechargeTime** for a previous access to the same bank has completed. During the **RASTime** a transition can only be programmed on the RAS strobcs, but not on the CAS, byte enable or general purpose strobcs.

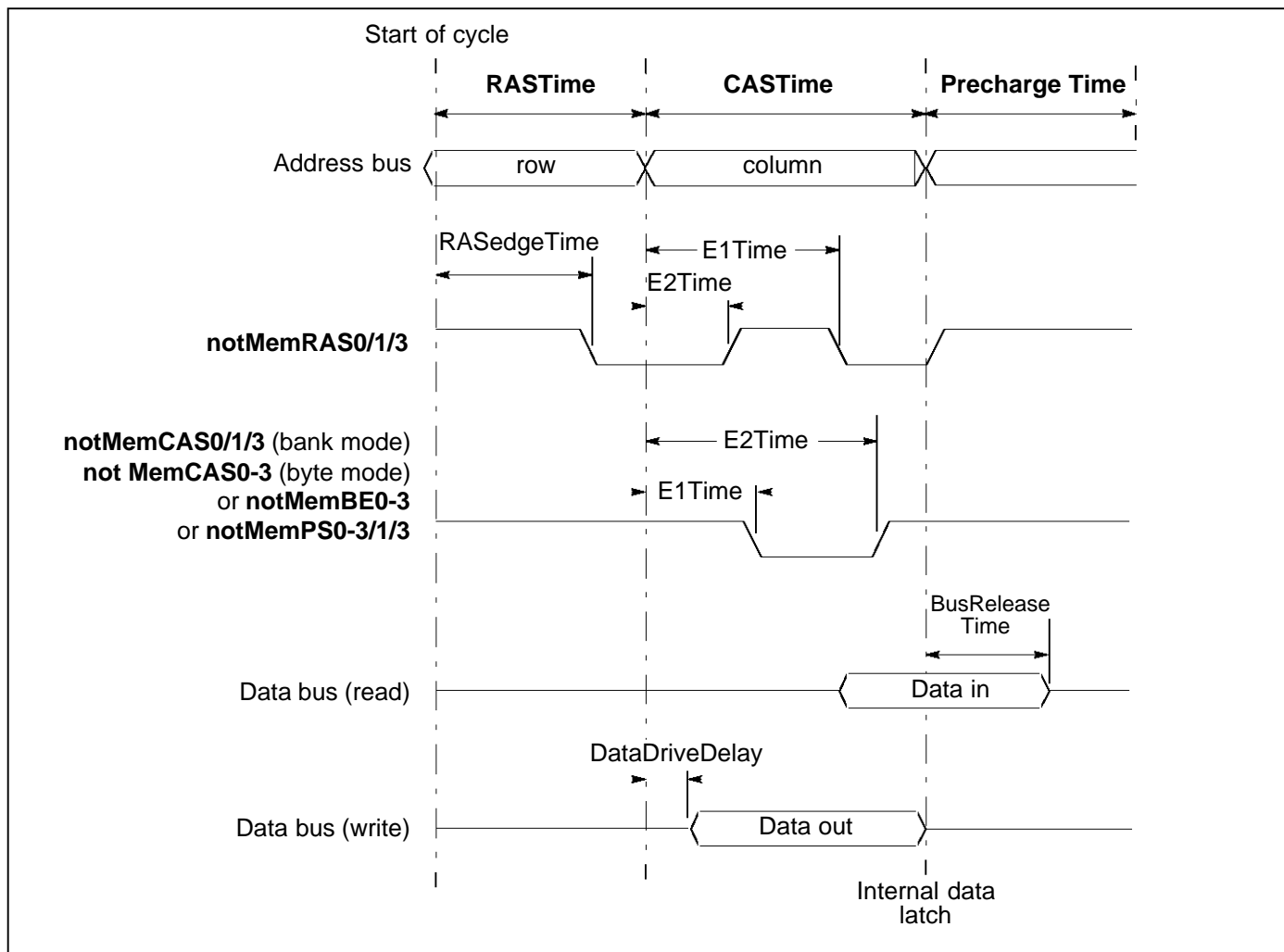


Figure 9.2 Generic memory cycle

During the **CASTime** the programmable strobcs and byte-enable strobcs are active. The address is output on the address bus without being shifted. Write data is valid during **CASTime**. Read data is latched into the interface on the rising edge of the internal processor clock which coincides or proceeds the programmed **notMemCAS e2** time.

Note that the e1 and e2 times for the **notMemBE** and the **notMemCAS** strobcs when in byte mode must be ≥ 2 phases.

The **PrechargeTime** and **BusReleaseTime** commence concurrently at the end of the **CASTime**. A **PrechargeTime** will occur to the current bank if:

- the next access is to the same bank but to a different row address.

- the next cycle is to a different bank.

The **BusReleaseTime** runs concurrently with the **PrechargeTime** and will occur if:

- the current cycle is a read and the next cycle is a write.
- the current cycle is a read and the next cycle is a read to a different bank.

The **BusReleaseTime** is provided to allow slow devices to float to a high impedance state.

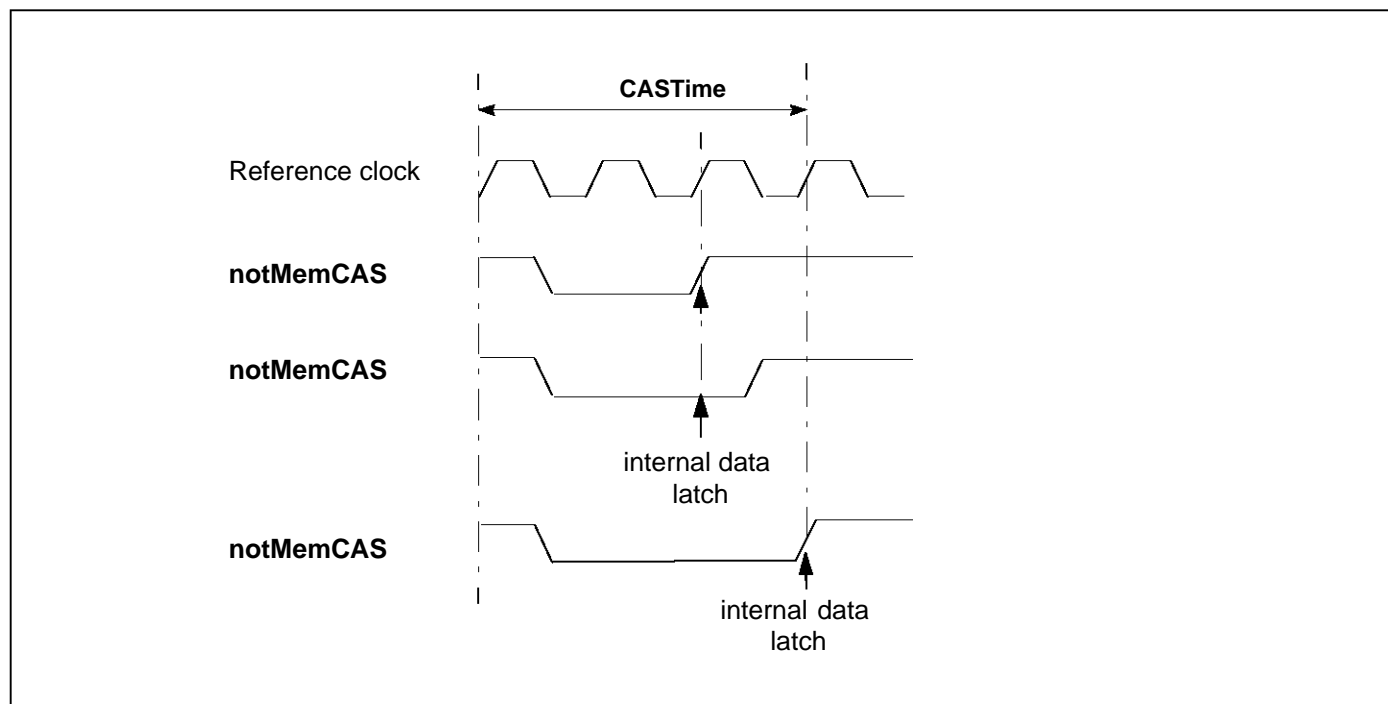


Figure 9.3 Data latching

9.2.1 Refresh

Configuration fields are provided which specify the banks which require refreshing and the interval between successive refreshes.

The EMI ensures that **notMemCAS** and **notMemRAS** are both high for the required time before every refresh cycle by inserting a **PrechargeTime** in the last bank being accessed and ensuring all **PrechargeTimes** are complete.

The behavior of the **notMemCAS** strobes during a refresh cycle is dependent on the programming of the byte mode configuration field.

In bank mode the **notMemCAS** strobe is taken low at the beginning of the refresh time. The position of the RAS falling edge (**RASedge**) and the time before **notMemRAS** and **notMemCAS** can be taken high again (**RefreshTime**) are programmable. Each of these actions occurs in sequence for each bank. A cycle is inserted between each bank in order to spread current peaks. If no DRAM has been programmed for a bank then no transitions occur on the RAS or CAS strobes.

In byte mode all of the **notMemCAS** strobes in byte mode are taken low at the beginning of the refresh time for bank0. The position of the RAS falling edge (**RASedge**) and the time before **notMemRAS** strobe can be taken high again (**RefreshTime**) are programmable. The **notMemRAS** strobes for each of the banks is taken low in sequence. A cycle is inserted between each bank in

order to spread current peaks. If no DRAM has been programmed for a bank then no transitions occur on the **RAS** or **CAS** strobes.

Note, no refreshes take place unless a **DRAMInitialize** command in the **ConfigCommand** register (see section 9.3.1 on page 64) is performed.

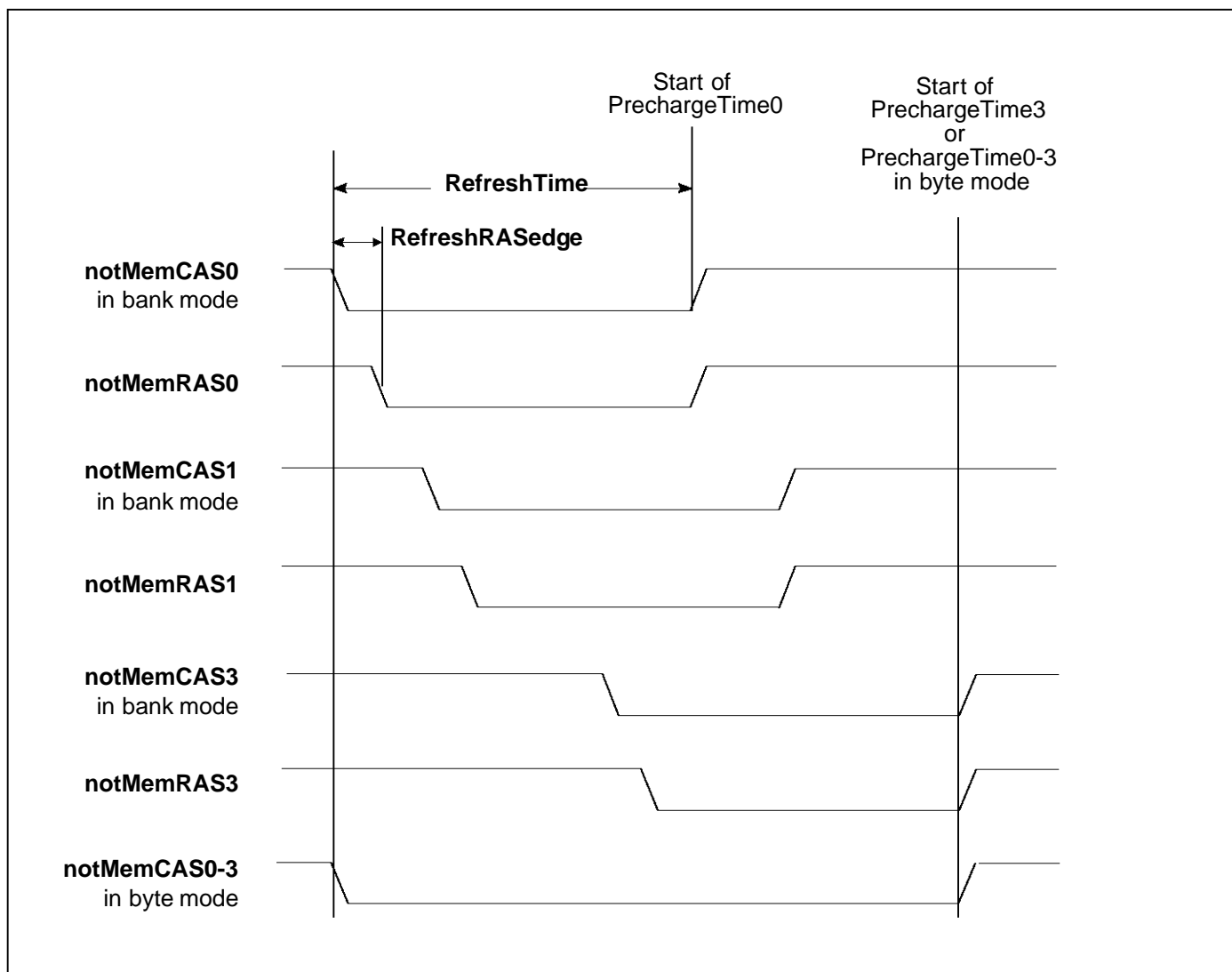


Figure 9.4 Refresh

9.2.2 Wait

MemWait is provided so that external cycles can be extended to enable variable access times (for example, shared memory access). **MemWait** is sampled on a rising clock edge before being passed into the EMI. It is only effective when the EMI is in the RAS or CAS times and has the effect of holding the RAS and CAS counter values for the duration of the cycles in which it was sampled high. Any strobe transitions occurring on the sampling edge or the falling edge immediately after will not be inhibited, but transitions on the rising and falling edges of the cycle after will not occur. Figure 9.5 and Figure 9.6 show the extension of the external memory cycle and the delaying of strobe transitions.

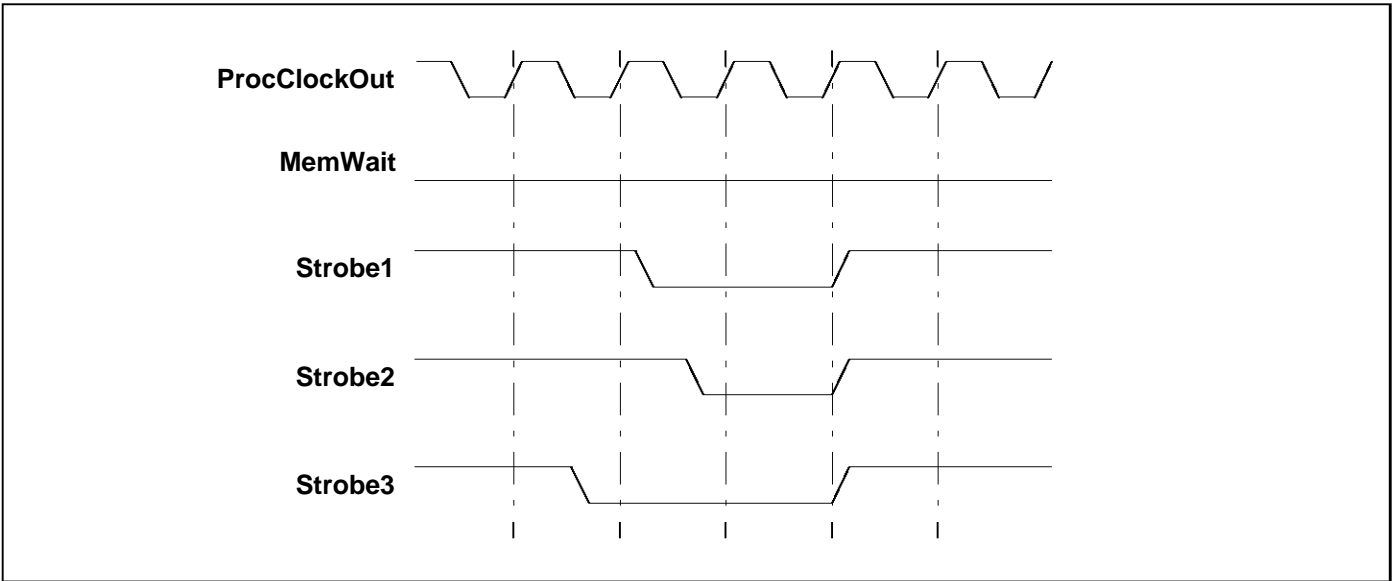


Figure 9.5 Strobe activity without MemWait

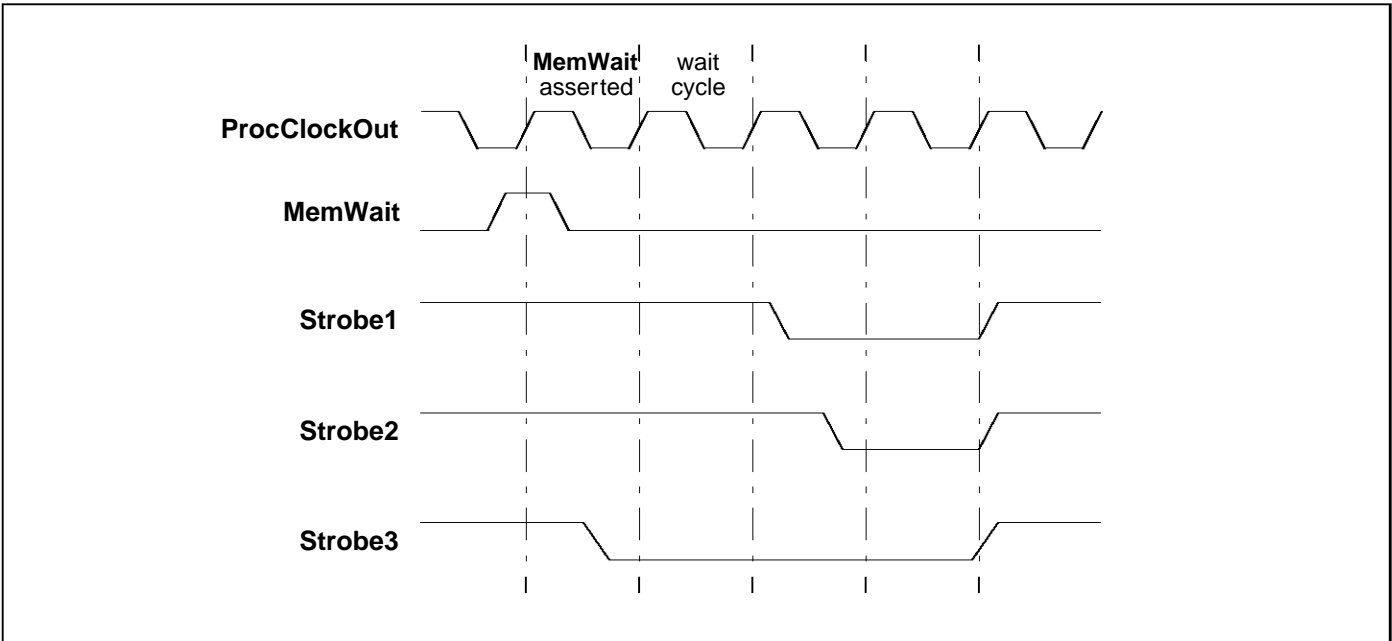


Figure 9.6 Strobe activity with MemWait

9.2.3 Support for MPEG application devices

Bank 2 of the EMI is nominally allocated as the peripheral bank. It is in this address range that the on-chip peripheral registers appear when using device accesses to memory. Strobes in this bank are provided to support access to the external MPEG audio and MPEG video application devices.

Four strobes are provided in bank 2. There are two MPEG decoder IC chip selects (**notCS0-1**) and two decoder compressed data strobes (**notCDSTRB0-1**).

Note, the **notMemRAS** and **notMemPS** strobes are *not* provided in bank 2. The **notMemCAS2** strobe is provided to support 32-bit wide DRAM banks in byte mode.

A single set of programmable timing and configuration parameters are provided for bank 2. The timings are different however for the **notCS0-1** strobes as one to four wait states are inserted after the first clock cycle by an internal wait state generator. The number of wait states is programmed by the values of the **MemAddr14-15** bits during the access according to Table 9.5. The wait signal from the internal wait state generator is ORed with the external **MemWait** pin so additional wait states may be added to any external access in the bank2 address range. The wait states for the **notCS0-1** strobes may be removed by disabling the **MemWait** pin in the configuration register for bank2.

MemAddr15	MemAddr14	Wait states
0	0	1
0	1	2
1	0	3
1	1	4

Table 9.5 Wait states for **notCS0-1** accesses

The **notCS0-1** and **notCDSTRB0-1** strobes are active for different parts of the bank address range as detailed in Table 9.6 below.

Address range	Active strobe
#00000000 - #00000FFF - 1 wait state, #00004000 - #00004FFF - 2 wait states, #00008000 - #00008FFF - 3 wait states, #0000C000 - #0000CFFF - 4 wait states	notCS0
#00001000 - #00001FFF - 1 wait state, #00005000 - #00005FFF - 2 wait states, #00009000 - #00009FFF - 3 wait states, #0000D000 - #0000DFFF - 4 wait states	notCS1
#00002000 - #00002FFF - no wait states	notCDSTRB0
#00003000 - #00003FFF - no wait states	notCDSTRB1

Table 9.6 Strobe activity in bank 2

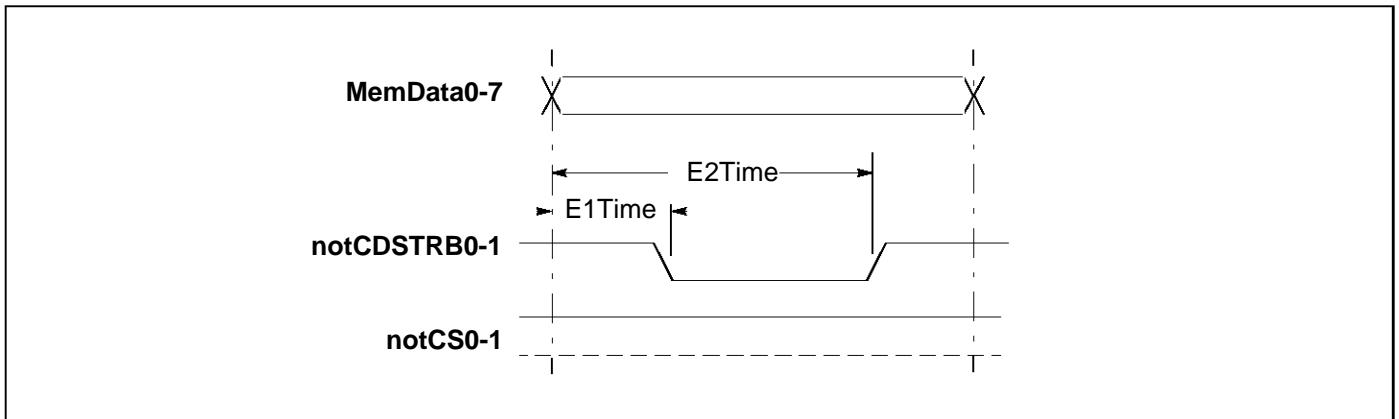


Figure 9.7 Compressed data write cycle - bank 2

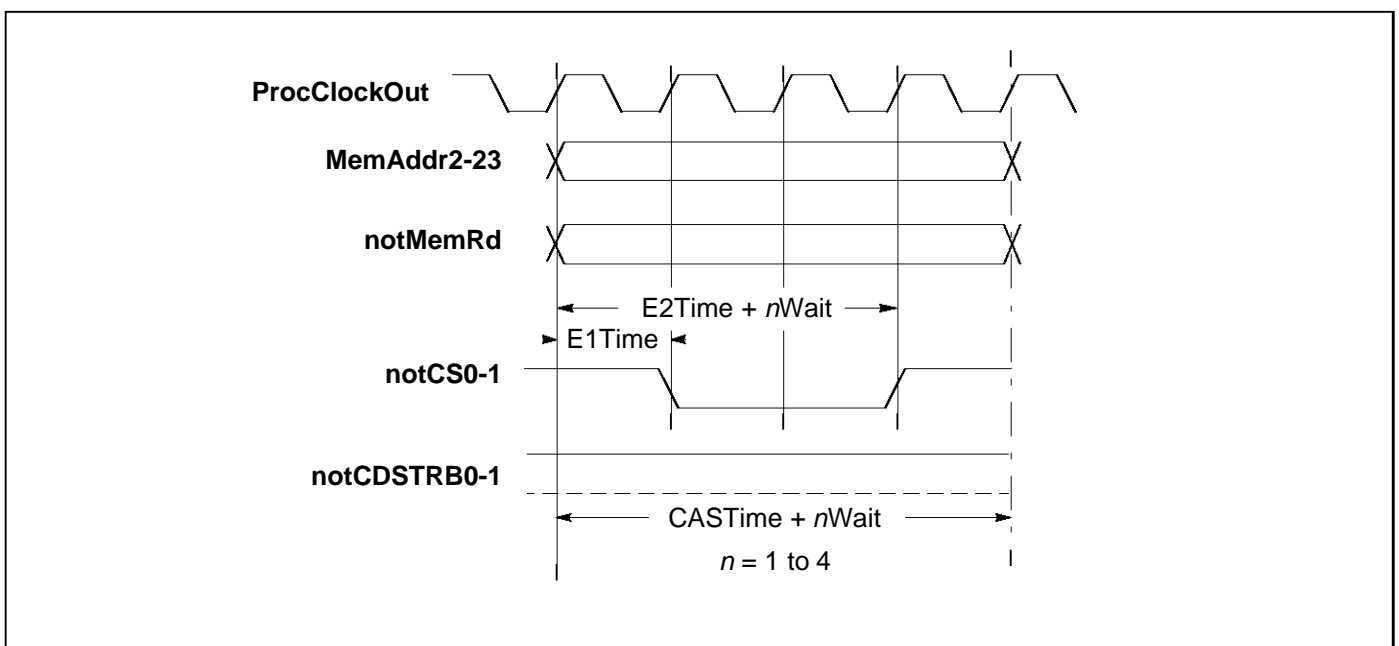


Figure 9.8 Register read/write cycle - bank 2

9.3 EMI Configuration

The EMI configuration is held in memory-mapped registers. The function of the registers is to eliminate external decode and timing logic. Each EMI bank has several parameters which can be configured. The parameters define the structure of the external address space and how it is allocated to the four banks and the timing of the strobe edges for the four banks.

The EMI has four banks of four 32-bit configuration registers to set up the four EMI banks. In addition there is another register to set the pad drive strength. For safe configuration each of the four banks must be configured in a single operation in cooperation with the EMI control logic. To enable this, there is a bank of four temporary registers (**ConfigDataField0-3**) inside the EMI configuration logic which can be filled with an entire bank before being transferred in a single operation to the EMI. The data is only transferred when the EMI is able to receive it. This single operation is the **WriteConfig** command in the **ConfigCommand** register. A typical configuration sequence is to

program each individual temporary register (**ConfigDataField0-3**) followed by a write to the **WriteConfig** address to transfer the data to the EMI.

The configuration logic contains six registers which are used to transfer data to and from the EMI configuration registers, as listed in Table 9.7. The registers can be examined and set by the *devlw* (device load word) and *devsw* (device store word) instructions. Note, they can not be accessed using memory instructions. These registers may be accessed independently of EMI activity, unless the configuration controller is processing a previous command, for example a **WriteConfig**.

The base address for the EMI configuration registers is given in the ST20-TP2 *Memory Map* and *Configuration Register* chapters.

Note: The EMI configuration registers can not be accessed directly, they can only be accessed via the temporary registers in the configuration logic.

Register	Address	Data byte	Read/Write	Command
ConfigCommand	EMI base address + #10	#00	Write	ReadConfig bank 0
		#04	Write	ReadConfig bank 1
		#08	Write	ReadConfig bank 2
		#0C	Write	ReadConfig bank 3
		#10	Write	ReadConfig PadDriveReg
		#20	Write	DRAMinitialize
		#40	Write	WriteConfig bank 0
		#44	Write	WriteConfig bank 1
		#48	Write	WriteConfig bank 2
		#4C	Write	WriteConfig bank 3
		#50	Write	WriteConfig PadDriveReg
#60	Write	LockConfig		
ConfigDataField0	EMI base address + #00	-	Read/Write	
ConfigDataField1	EMI base address + #04	-	Read/Write	
ConfigDataField2	EMI base address + #08	-	Read/Write	
ConfigDataField3	EMI base address + #0C	-	Read/Write	
ConfigStatus	EMI base address + #20	-	Read	

Table 9.7 EMI configuration register addresses

9.3.1 ConfigCommand register

The **ConfigCommand** register is a write only register. When a write is performed to this register, plus the associated data byte, various operations are performed as detailed in Table 9.8.

To avoid further EMI activity occurring between successive update requests, all parameters for a bank must be changed in a single operation by performing a **WriteConfig** command.

The timing information for DRAM refresh is distributed amongst access timing information in the **ConfigDataField0-3** registers. DRAM is initialized by performing a **DRAMinitialize** command. The

DRAMInitialize command also enables refreshes to take place. If no **DRAMInitialize** command is performed no refreshes will take place.

Note, the **DRAMInitialize** command should only be written when there is DRAM in the system.

ConfigCommand		EMI base address + #10	Write only
Data byte	Bit field	Function	
01000000 for bank 0 01000100 for bank 1 01001000 for bank 2 01001100 for bank 3 01010000 for PadDrive	WriteConfig	Transfers the contents of the ConfigDataField0-3 into the specified bank in the EMI configuration registers. All parameters for a specified bank are changed in one atomic action, to avoid further EMI activity occurring between successive update requests.	
00000000 for bank 0 00000100 for bank 1 00001000 for bank 2 00001100 for bank 3 00010000 for PadDrive	ReadConfig	Copies the contents of the specified bank in the EMI configuration registers into ConfigDataField0-3 .	
00100000	DRAMInitialize	Initialize any DRAM in the system.	
01100000	LockConfig	Disables the WriteConfig and DRAMInitialize commands and locks the ConfigDataField0-3 to prevent further writes.	

Table 9.8 **ConfigCommand** register

9.3.2 ConfigStatus register

The **ConfigStatus** register is a read only register and contains information on whether the **ConfigDataField0-3** registers have been write locked and shows which EMI banks have been written.

ConfigStatus		EMI base address + #20	Read only
Bit	Bit field	Function	
0	WrittenBank0	Bank 0 has been configured by the WriteConfig command.	
1	WrittenBank1	Bank 1 has been configured by the WriteConfig command.	
2	WrittenBank2	Bank 2 has been configured by the WriteConfig command.	
3	WrittenBank3	Bank 3 has been configured by the WriteConfig command.	
4	WrittenPadDriveReg	The PadDrive register has been written by the WriteConfig command.	
5	WriteLock	ConfigDataField0-3 registers are write locked.	
31:5		Reserved	

Table 9.9 **ConfigStatus** register

9.3.3 ConfigDataField0-3 registers

The bit format and functionality of the **ConfigDataField0-3** registers for transfers to/from each of the register banks are described in the following sections.

The **ConfigDataField0-3** registers are grouped, with one group of four registers containing all the information necessary to program an external bank. The format of bits in the registers depends on which EMI bank is being configured, see Figure 9.9.

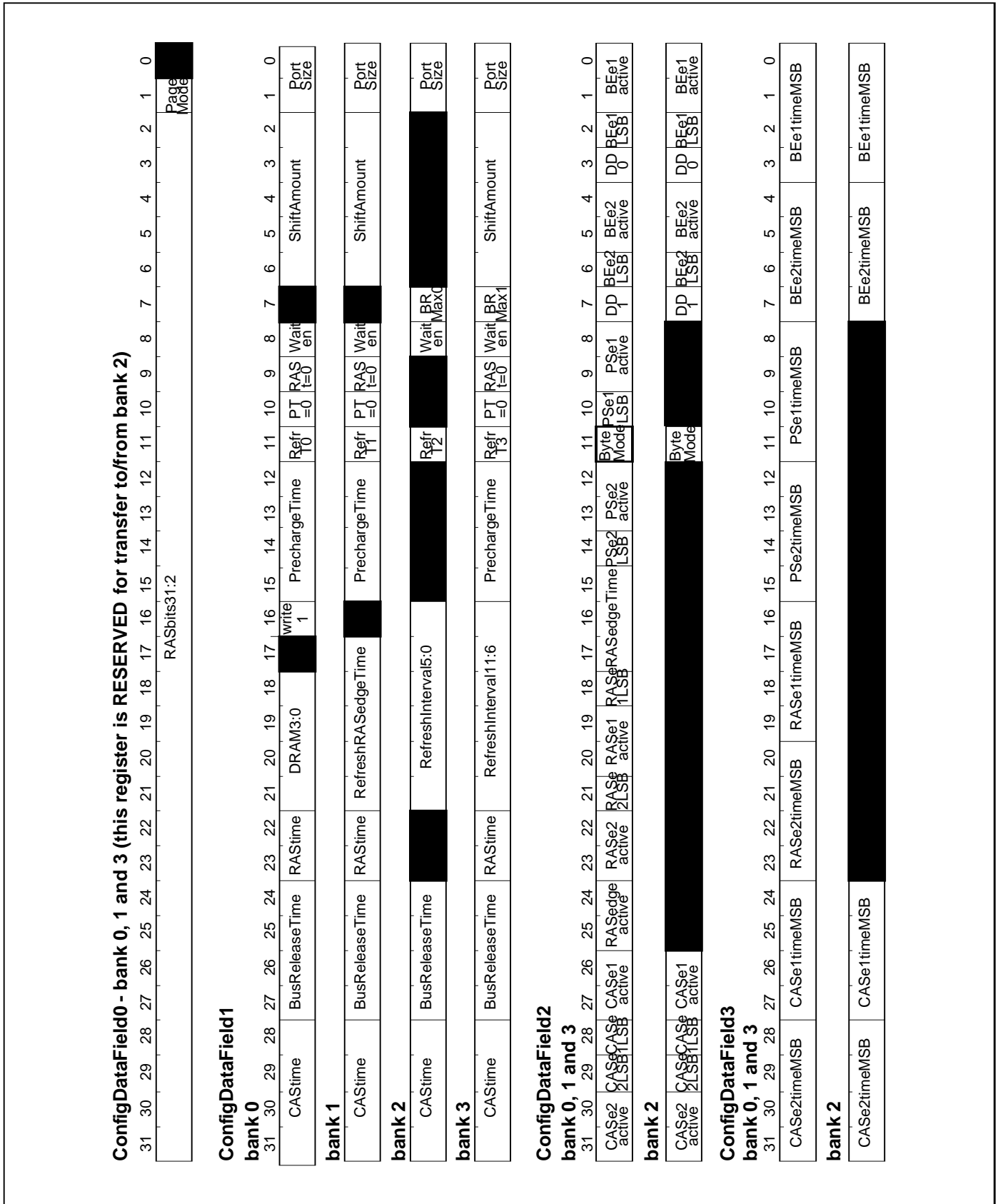


Figure 9.9 ConfigDataField0-3 registers

9.3.4 Format of the data registers for transfers to/from register bank 0

This section gives the format of the **ConfigDataField0-3** registers for transfers to/from register bank 0.

ConfigDataField0 format for transfers to/from register bank 0

The **ConfigDataField0** register is a 32 bit register which can be set to read only via the **Config-Command** register.

The **RASbits31:2** field is a 30 bit address mask which defines which address bits are compared to determine whether a page hit has occurred. Generally it will be loaded with a field of 1's padded out by 0's.

For example, if bank 0 contained 4 Mbyte DRAM, organized as four 4 Mbit x 8 devices for a 32-bit wide interface, there would be 1 MWords of DRAM, with 1024 pages each containing 1024 words. It is necessary for **RASbits31:30** to be set to '11' to enable bank switches to be detected. The **RASbits** field for bank 0 would be:

RASbits31:2 111111111111111111110000000000

For example, for a 16-bit wide interface, the **RASbits** field for bank 0 would be:

RASbits31:2 111111111111111111110000000000

ConfigDataField0		EMI base address + #00	Read/Write
Bit	Bit field	Function	
1	PageMode	Page mode valid	
31:2	RASbits31:2	Defines the RAS bits in the address which should be compared to the last access to the same bank to determine whether a page hit has occurred.	
0		Reserved	

Table 9.10 **ConfigDataField0** format for transfers to/from register bank 0

ConfigDataField1 format for transfers to/from register bank 0

The **ConfigDataField1** register is a 32-bit register which can be set to read only via the **Config-Command** register.

ConfigDataField1		EMI base address + #04	Read/Write										
Bit	Bit field	Function	Units										
1:0	PortSize	Bit width of the bank (8,16, or 32-bits). <table border="1" style="margin-left: 20px;"> <tr> <td>PortSize1:0</td> <td>Bank width</td> </tr> <tr> <td>00</td> <td>Invalid</td> </tr> <tr> <td>01</td> <td>32-bits</td> </tr> <tr> <td>10</td> <td>16-bits</td> </tr> <tr> <td>11</td> <td>8-bits</td> </tr> </table>	PortSize1:0	Bank width	00	Invalid	01	32-bits	10	16-bits	11	8-bits	
PortSize1:0	Bank width												
00	Invalid												
01	32-bits												
10	16-bits												
11	8-bits												
6:2	ShiftAmount	Defines how many bits to shift the bank address in order to convert it to a row address for multiplexed-addressed memory during RAStime. It is irrelevant at all other times.											
8	MemWaitEnable	Enables the MemWait pin.											
9	RAStimeEqZero	No RAS cycle will occur. The bank is considered to be an SRAM bank.											
10	PrechargeTimeEqZero	No Precharge Time will occur.											
11	RefreshTime0	Refresh time 0. The refresh time is a 4-bit value. RefreshTime bits 1, 2 and 3 are specified in ConfigDataField1 for transfers to/from register banks 1, 2 and 3 respectively.	Cycles										
15:12	PrechargeTime	Duration of precharge time.	Cycles										
16	TP2Enable	MUST WRITE 1.											
21:18	DRAM3:0	Defines which banks require refresh.											
23:22	RAStime	Duration of RAS sub-cycle.	Cycles										
27:24	BusReleaseTime	Duration of bus release time.	Cycles										
31:28	CAStime	Duration of CAS sub-cycle.	Cycles										
17, 7		Reserved											

Table 9.11 **ConfigDataField1** format for transfers to/from register bank 0

ConfigDataField2 format for transfers to/from register bank 0

The **ConfigDataField2** register is a 32-bit register which can be set to read only via the **Config-Command** register.

Each of the strobes (**notMemRAS**, **notMemCAS**, **notMemPS**, **notMemBE**) edges may be configured to be active during reads and/or writes, or to be inactive, using the coding in Table 9.12.

Active bit settings	Strobe activity
00	Inactive
01	Active during read only
10	Active during write only
11	Active during read and write

Table 9.12 Active bit settings

ConfigDataField2		EMI base address + #08	Read/Write
Bit	Bit field	Function	Units
1:0	BEE1active	Cycle type in which falling (E1) edge of notMemBE is active.	Phases
2	BEE1LSB	Specifies the phase when the falling (E1) edge of notMemBE will occur.	
3	DataDriveDelay0	This is a 2-bit value (DataDriveDelay1 is in bit 7). It is the drive delay of the data bus, as follows: DataDriveDelay1:0 Drive delay of data bus 00 0 phases 01 1 phase 10 2 phases 11 3 phases	
5:4	BEE2active	Cycle type in which notMemBE rising (E2) edge is active.	Phases
6	BEE2LSB	Specifies the phase when the rising (E2) edge of notMemBE will occur.	
7	DataDriveDelay1	This is a 2-bit value (DataDriveDelay0 is in bit 3). It is the drive delay of the data bus.	
9:8	PSe1active	Cycle type in which falling (E1) edge of notMemPS is active.	Phases
10	PSe1LSB	Specifies the phase when the falling (E1) edge of notMemPS will occur.	
11	ByteModeEnable	Set to 1 to enable byte mode on notMemCAS	
13:12	PSe2active	Cycle type in which rising (E2) edge of notMemPS is active.	
14	PSe2LSB	Specifies the phase when the rising (E2) edge of notMemPS will occur.	
17:15	RASedgeTime	Delay from start of RAS sub-cycle to falling edge of RAS strobe.	
18	RASe1LSB	Specifies the phase when the falling (E1) edge of notMemRAS will occur.	
20:19	RASe1active	Cycle type in which falling (E1) edge of notMemRAS is active.	
21	RASe2LSB	Specifies the phase when the rising (E2) edge of notMemRAS will occur.	
23:22	RASe2active	Cycle type in which rising (E2) edge of notMemRAS is active.	
25:24	RASedgeActive	Cycle type in which an edge of notMemRAS is active.	
27:26	CASe1active	Cycle type in which falling (E1) edge of notMemCAS is active.	Phases
28	CASe1LSB	Specifies the phase when the falling (E1) edge of notMemCAS will occur.	
29	CASe2LSB	Specifies the phase when the rising (E2) edge of notMemCAS will occur.	
31:30	CASe2active	Cycle type in which rising (E2) edge of notMemCAS is active.	

Table 9.13 **ConfigDataField2** format for transfers to/from register bank 0

Note that the e1 and e2 times for the **notMemBE** and the **notMemCAS** strobes when in byte mode must be not less than 2 phases.

ConfigDataField3 format for transfers to/from register bank 0

The **ConfigDataField3** register is a 32-bit register which can be set to read only via the **Config-Command** register.

ConfigDataField3		EMI base address + #0C	Read/Write
Bit	Bit field	Function	Units
3:0	BEe1timeMSB	The number of complete cycles from CASTime start to notMemBE falling (E1) edge.	Cycles
7:4	BEe2timeMSB	The number of complete cycles from CASTime start to notMemBE rising (E2) edge.	Cycles
11:8	PSe1timeMSB	The number of complete cycles from CASTime start to notMemPS falling (E1) edge.	Cycles
15:12	PSe2timeMSB	The number of complete cycles from CASTime start to notMemPS rising (E2) edge.	Cycles
19:16	RASe1timeMSB	The number of complete cycles from CASTime start to notMemRAS falling (E1) edge.	Cycles
23:20	RASe2timeMSB	The number of complete cycles from CASTime start to notMemRAS rising (E2) edge.	Cycles
27:24	CASe1timeMSB	The number of complete cycles from CASTime start to notMemCAS falling (E1) edge.	Cycles
31:28	CASe2timeMSB	The number of complete cycles from CASTime start to notMemCAS rising (E2) edge.	Cycles

Table 9.14 **ConfigDataField3** format for transfers to/from register bank 0

Note that the e1 and e2 times for the **notMemBE** and the **notMemCAS** strobes when in byte mode must be not less than 2 phases.

9.3.5 Format of the data registers for transfers to/from register bank 1

This section gives the format of the **ConfigDataField0-3** registers for transfers to/from register bank 1.

ConfigDataField0/2/3 format for transfers to/from register bank 1

The **ConfigDataField0**, **ConfigDataField2** and **ConfigDataField3** registers have the same format for transfers to/from register bank 1 as those given for transfers to/from register bank 0, see Table 9.10, Table 9.13 and Table 9.14 in section 9.3.4.

ConfigDataField1 format for transfers to/from register bank 1

This register contains refresh information.

ConfigDataField1		EMI base address + #04	Read/Write										
Bit	Bit field	Function	Units										
1:0	PortSize	Bit width of the bank (8, 16, or 32 bits). <table border="1" style="margin-left: 20px;"> <thead> <tr> <th>PortSize1:0</th> <th>Bank width</th> </tr> </thead> <tbody> <tr> <td>00</td> <td>Invalid</td> </tr> <tr> <td>01</td> <td>32 bits</td> </tr> <tr> <td>10</td> <td>16 bits</td> </tr> <tr> <td>11</td> <td>8 bits</td> </tr> </tbody> </table>	PortSize1:0	Bank width	00	Invalid	01	32 bits	10	16 bits	11	8 bits	
PortSize1:0	Bank width												
00	Invalid												
01	32 bits												
10	16 bits												
11	8 bits												
6:2	ShiftAmount	Defines how many bits to shift the bank address in order to convert it to a row address for multiplexed-addressed memory during RAS _{time} . It is irrelevant at all other times.											
8	MemWaitEnable	Enables the MemWait pin.											
9	RAS_{time}EqZero	No RAS cycle will occur. The bank is considered to be an SRAM bank.											
10	PrechargeTimeEqZero	No Precharge Time will occur.											
11	RefreshTime1	Refresh time 1. The refresh time is a 4-bit value. RefreshTime bits 0, 2 and 3 are specified in ConfigDataField1 for transfers to/from register banks 0, 2 and 3 respectively.	Cycles										
15:12	PrechargeTime	Duration of precharge time.	Cycles										
21:17	RefreshRAS_{edge}Time	Refresh RAS falling edge.	Phases										
23:22	RAS_{time}	Duration of RAS sub-cycle.	Cycles										
27:24	BusReleaseTime	Duration of bus release time.	Cycles										
31:28	CAS_{time}	Duration of CAS sub-cycle.	Cycles										
16, 7		Reserved											

Table 9.15 **ConfigDataField1** format for transfers to/from register bank 1

9.3.6 Format of the data registers for transfers to/from register bank 2

This section gives the format of the **ConfigDataField0-3** registers for transfers to/from register bank 2.

The **ConfigDataField0** register is RESERVED for transfers to/from register bank 2.

ConfigDataField1 format for transfers to/from register bank 2

This register contains refresh information.

The 12-bit refresh interval is spread across two register fields, see Table 9.19.

ConfigDataField1		EMI base address + #04	Read/Write										
Bit	Bit field	Function	Units										
1:0	PortSize	Bit width of the bank (8, 16 or 32 bits). <table border="0"> <tr> <td>PortSize1:0</td> <td>Bank width</td> </tr> <tr> <td>00</td> <td>Invalid</td> </tr> <tr> <td>01</td> <td>32 bits</td> </tr> <tr> <td>10</td> <td>16 bits</td> </tr> <tr> <td>11</td> <td>8 bits</td> </tr> </table>	PortSize1:0	Bank width	00	Invalid	01	32 bits	10	16 bits	11	8 bits	
PortSize1:0	Bank width												
00	Invalid												
01	32 bits												
10	16 bits												
11	8 bits												
7	BusRelMax0	This is a 2-bit value (BusRelMax1 is bit 7 of ConfigDataField1 for bank 3, refer to Table 9.19) which encodes a pointer to the EMI bank with the greatest BusRelease time. This BusRelease time will be inserted when the EMI is coming out of a DMA transaction. The encodings are as follows: <table border="0"> <tr> <td>BusRelMax1:0</td> <td>Greatest BusRelease time</td> </tr> <tr> <td>00</td> <td>Bank 0</td> </tr> <tr> <td>01</td> <td>Bank 1</td> </tr> <tr> <td>10</td> <td>Bank 2</td> </tr> <tr> <td>11</td> <td>Bank 3</td> </tr> </table>	BusRelMax1:0	Greatest BusRelease time	00	Bank 0	01	Bank 1	10	Bank 2	11	Bank 3	
BusRelMax1:0	Greatest BusRelease time												
00	Bank 0												
01	Bank 1												
10	Bank 2												
11	Bank 3												
8	MemWaitEnable	Enables the MemWait pin.											
11	RefreshTime2	Refresh time 2. The refresh time is a 4-bit value. RefreshTime bits 0, 1 and 3 are specified in ConfigDataField1 for transfers to/from register banks 0, 1 and 3 respectively.	Cycles										
21:16	RefreshInterval5:0	This is a 12-bit value (RefreshInterval11:6 is bits 21:16 of ConfigDataField1 for bank 3, refer to Table 9.19) which defines the DRAM refresh interval between successive refreshes.	Cycles										
27:24	BusReleaseTime	Duration of bus release time.	Cycles										
31:28	CAStime	Duration of CAS sub-cycle.	Cycles										
6:2, 10:9, 15:12, 23:22		Reserved											

Table 9.16 **ConfigDataField1** format for transfers to/from register bank 2

ConfigDataField2 format for transfers to/from register bank 2

ConfigDataField2		EMI base address + #08	Read/Write
Bit	Bit field	Function	Units
1:0	BEe1active	Cycle type in which falling (E1) edge of notMemBE is active.	Phases
2	BEe1LSB	Specifies the phase when the falling (E1) edge of notMemBE will occur.	
3	DataDriveDelay0	This is a 2-bit value (DataDriveDelay1 is in bit 7). It is the drive delay of the data bus, as follows: DataDriveDelay1:0 Drive delay of data bus 00 0 phases 01 1 phase 10 2 phases 11 3 phases	
5:4	BEe2active	Cycle type in which notMemBE rising (E2) edge is active.	Phases
6	BEe2LSB	Specifies the phase when the rising (E2) edge of notMemBE will occur.	
7	DataDriveDelay1	This is a 2-bit value (DataDriveDelay0 is in bit 3). It is the drive delay of the data bus.	
11	ByteModeEnable	Set to 1 to enable byte mode on notMemCAS	
27:26	CASe1active	Cycle type in which falling (E1) edge of notMemCAS is active.	
28	CASe1LSB	Specifies the phase when the falling (E1) edge of notMemCAS will occur.	
29	CASe2LSB	Specifies the phase when the rising (E2) edge of notMemCAS will occur.	
31:30	CASe2active	Cycle type in which rising (E2) edge of notMemCAS is active.	
10:8, 25:12		Reserved	

Table 9.17 ConfigDataField2 format for transfers to/from register bank 2

Note that the e1 and e2 times for the **notMemBE** and the **notMemCAS** strobes when in byte mode must be not less than 2 phases.

ConfigDataField3 format for transfers to/from register bank 2

ConfigDataField3		EMI base address + #0C	Read/Write
Bit	Bit field	Function	Units
3:0	BEE1timeMSB	The number of complete cycles from CASTime start to notMemBE falling (E1) edge.	Cycles
7:4	BEE2timeMSB	The number of complete cycles from CASTime start to notMemBE rising (E2) edge.	Cycles
27:24	CASe1timeMSB	The number of complete cycles from CASTime start to notMemCAS falling (E1) edge.	Cycles
31:28	CASe2timeMSB	The number of complete cycles from CASTime start to notMemCAS rising (E2) edge.	Cycles
23:8		Reserved	

Table 9.18 **ConfigDataField3** format for transfers to/from register bank 2

9.3.7 Format of the data registers for transfers to/from register bank 3

This section gives the format of the **ConfigDataField0-3** registers for transfers to/from register bank 3.

ConfigDataField0/2/3 format for transfers to/from register bank 3

The **ConfigDataField0**, **ConfigDataField2** and **ConfigDataField3** registers have the same format for transfers to and from register bank 3 as those given for transfers to and from register bank 0, see Table 9.10, Table 9.13 and Table 9.14 in section 9.3.4.

ConfigDataField1 format for transfers to/from register bank 3

This register contains refresh information. The 12-bit refresh interval value is spread across two register fields.

ConfigDataField1		EMI base address + #04	Read/Write										
Bit	Bit field	Function	Units										
1:0	PortSize	Bit width of the bank (8,16, or 32-bits). <table border="0"> <tr> <td>PortSize1:0</td> <td>Bank width</td> </tr> <tr> <td>00</td> <td>Invalid</td> </tr> <tr> <td>01</td> <td>32-bits</td> </tr> <tr> <td>10</td> <td>16-bits</td> </tr> <tr> <td>11</td> <td>8-bits</td> </tr> </table>	PortSize1:0	Bank width	00	Invalid	01	32-bits	10	16-bits	11	8-bits	
PortSize1:0	Bank width												
00	Invalid												
01	32-bits												
10	16-bits												
11	8-bits												
6:2	ShiftAmount	Defines how many bits to shift the bank address in order to convert it to a row address for multiplexed-addressed memory during RAS _{time} . It is irrelevant at all other times.											
7	BusRelMax1	This is a 2-bit value (BusRelMax0 is bit 7 of ConfigDataField1 for bank 2, refer to Table 9.16) which encodes a pointer to the EMI bank with the greatest BusRelease time. This BusRelease time will be inserted when the EMI is coming out of a DMA transaction. The encodings are as follows: <table border="0"> <tr> <td>BusRelMax1:0</td> <td>Greatest BusRelease time</td> </tr> <tr> <td>00</td> <td>Bank 0</td> </tr> <tr> <td>01</td> <td>Bank 1</td> </tr> <tr> <td>10</td> <td>Bank 2</td> </tr> <tr> <td>11</td> <td>Bank 3</td> </tr> </table>	BusRelMax1:0	Greatest BusRelease time	00	Bank 0	01	Bank 1	10	Bank 2	11	Bank 3	
BusRelMax1:0	Greatest BusRelease time												
00	Bank 0												
01	Bank 1												
10	Bank 2												
11	Bank 3												
8	MemWaitEnable	Enables the MemWait pin.											
9	RAS_{time}EqZero	No RAS cycle will occur. The bank is considered to be an SRAM bank.											
10	PrechargeTimeEqZero	No Precharge Time will occur.											
11	RefreshTime3	Refresh time 3. The refresh time is a 4-bit value. RefreshTime bits 0, 1 and 2 are specified in ConfigDataField1 for transfers to/from register banks 0, 1 and 2 respectively.	Cycles										
15:12	PrechargeTime	Duration of precharge time.	Cycles										
21:16	RefreshInterval11:6	This is a 12-bit value (RefreshInterval5:0 is bits 21:16 of ConfigDataField1 for bank 2, refer to Table 9.16) which defines the DRAM refresh interval between successive refreshes.	Cycles										
23:22	RAS_{time}	Duration of RAS sub-cycle.	Cycles										
27:24	BusReleaseTime	Duration of bus release time.	Cycles										
31:28	CAS_{time}	Duration of CAS sub-cycle.	Cycles										

Table 9.19 **ConfigDataField1** format for transfers to/from register bank 3

9.3.8 Format of the data registers for transfers to/from PadDrive register

This final group of registers consists of just one register. The **ConfigDataField0-2** registers are reserved. The **ConfigDataField3** register is used for the pad drive strength register.

This register sets the drive strength of the EMI pads. Once locked the strength is static. Each of the address, data and strobe pads has four possible drive strengths which may be configured as given in Table 9.20.

Drive bit settings	Drive strength level	Drive strength
00	level 0	Weakest
01	level 1	↓
10	level 2	↓
11	level 3	Strongest

Table 9.20 Drive bit settings

The **PadDrive** register has fields which apply to groups of pads so that the edge rates may be tuned to reduce electrical noise or optimize speed. Also the **ProcClockOut** pin can be disabled in order to reduce power, this is the default on reset.

ConfigDataField3		EMI base address + #0C	Read/Write
Bit	Bit field	Function	
1:0	RCP0	Drive strength of pads notMemRAS0, notMemCAS0, notMemPS0	
3:2	RCP1	Drive strength of pads notMemRAS1, notMemCAS1, notMemPS1	
5:4	RCP2	Drive strength of pads notMemCAS2, notCS0, notCS1, notCDSTRB0, notCDSTRB1	
7:6	RCP3	Drive strength of pads notMemRAS3, notMemCAS3, notMemPS3	
9:8	BE1	Drive strength of pads notMemBE1	
11:10	BE2	Drive strength of pads notMemBE2	
13:12	A2-8	Drive strength of pads MemAddr2-8, notMemBE0, notMemBE3	
15:14	A9-12	Drive strength of pads MemAddr9-12	
17:16	A13-16	Drive strength of pads MemAddr13-16	
19:18	A17-20	Drive strength of pads MemAddr17-20	
21:20	A21-23	Drive strength of pads MemAddr21-23	
25:24	D0-7	Drive strength of pads MemData0-7	
27:26	D8-15	Drive strength of pads MemData8-15	
29:28	D16-31	Drive strength of pads MemData16-31	
31	ProcClockEnable	When 1, ProcClockOut pin enabled. When 0 (default state on reset), the ProcClockOut pin is disabled, thus reducing power.	
23:22, 30		Reserved	

Table 9.21 **ConfigDataField3** format for transfers to/from **PadDrive** register

9.4 EMI initialization

9.4.1 Reset

When the EMI is reset, the configuration register file loads a default set of parameters suitable for running boot code from a slow external ROM placed in bank 3 (at the top of memory). The refresh interval is reset to zero and no refresh requests are generated until this parameter is changed and the **DRAMInitialize** command is issued to the configuration logic.

The **WriteLock** bit in the **ConfigStatus** register is cleared to enable new parameters to be configured by software.

9.4.2 Bootstrap

When external reset is removed, the ST20-TP2 will start to execute bootstrap code from the area of memory determined by the setting of the **BootSource0-1** pins (see Table 9.4 on page 57).

If the ST20-TP2 is set to boot from a link, the bootstrap must execute from internal memory until the EMI has been configured. If this is not possible, the EMI must be completely configured using *poke* operations (see section 10.2.3 on page 80) down the link before loading the bootstrap into external memory and executing it.

9.4.3 Initializing DRAM banks

The timing information for DRAM refresh is spread over the configuration registers (**ConfigDataField0-3**). DRAM initialization is performed by an explicit command (**DRAMInitialize** command in the **ConfigCommand** register) once the configuration is loaded. This command causes 8 consecutive refresh transactions to occur.

Default configuration

The default configuration is loaded into all four banks on reset. The parameters shown in Table 9.23 are also set in the configuration registers.

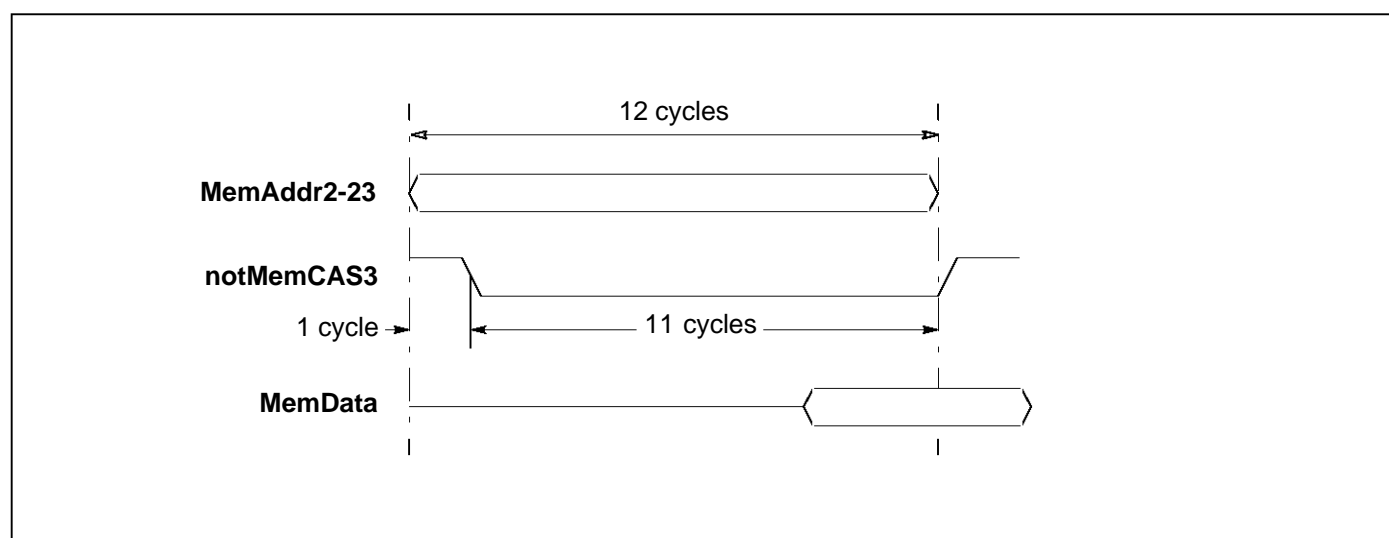


Table 9.22 Timing of default access

Parameter	Default value
RASbits31:2	#0 (all banks)
PageMode	Cleared (all banks)
PortSize	Value on BootSource0-1 pin
ShiftAmount	0 (all banks)
BusReleaseMax1:0	3
MemWaitEnable	Set (all banks)
RAStimeEqZero	Set (all banks)
PrechargeTimeEqZero	Set (all banks)
RefreshTime0,1,2,3	Cleared
PrechargeTime	0 (all banks)
DRAM3:0	All cleared
RefreshRASedgeTime	0
RefreshInterval	0
RAStime	0 (all banks)
BusReleaseTime	3 cycles (all banks)
CAStime	12 cycles (all banks)
RAS, BE strobes	Inactive (all banks)
CAS, PS e1 and e2 active	Only on reads (all banks)
CASe1 time	2 phases
CASe2 time	24 phases
PSe1 time	0 phases
PSe2 time	24 phases
DataDriveDelay1:0	2 phases (all banks)
PadDriveStrength	All 0, weakest drive strength
ProcClockEnable	ProcClockOut pin enabled
ByteModeEnable	Byte mode disabled

Table 9.23 Default parameters

10 System services

The system services module includes all the necessary logic to initialize and sustain operation of the device and also includes error handling and analysis facilities.

10.1 Reset and Analyse

The ST20-TP2 has 3 pins to support reset and analyse: **notRST**, **CPURreset** and **CPUAnalyse**.

10.1.1 Power-on-Reset

notRST provides a “hard” reset function and must be asserted (low) before the clocks and power are stable, but should only be de-asserted (high) *after* the clocks and power are stable to guarantee well-defined behavior.

When **notRST** is asserted (regardless of any other inputs), all modules are asynchronously forced into their power-on reset state.

When **notRST** is de-asserted the CPU enters its boot sequence which can either be in off-chip ROM or can be received down a link (see section 10.2 on bootstrap). The rising edge of **notRST** is internally synchronized and delayed until the clocks are stable before this sequence starts.

Note: **notTRST** (TAP Reset) must have been asserted before **notRST** is de-asserted.

10.1.2 Soft Reset

During the power-on reset, the entire chip is affected, including the Clock Control Logic, which takes a long time to reset. An alternative, “soft” reset is provided which does not affect the clocks, and takes a lot less time. This form of reset must only be used when the system is up and running, i.e. *not* on power-up.

Soft reset is invoked by taking **CPURreset** high when **CPUAnalyse** is low, provided **notRST** is de-asserted.

10.1.3 Analyse

If **CPUAnalyse** is taken high when the ST20-TP2 is running, the ST20-TP2 will halt at the next descheduling point. **CPURreset** may then be asserted. When **CPURreset** comes low again the ST20-TP2 will be in its reset state, but the previous memory configuration and several status flags and register values will be maintained, permitting analysis of the halted machine.

An input OS-link will continue with outstanding transfers. An output OS-link will not make another access to memory for data but will transmit only those bytes already in the link buffer. Providing there is no delay in link acknowledgement, the link will be inactive within a few microseconds of the ST20-TP2 halting.

If **CPUAnalyse** is taken low without **CPURreset** going high the processor state and operation are undefined.

10.1.4 Errors

Software errors, such as arithmetic overflow or array bounds violation, can cause an error flag to be set. This flag is directly connected to the **ErrorOut** pin. The ST20-TP2 can be set to ignore the error flag in order to optimize the performance of a proven program. If error checks are removed

any unexpected error then occurring will have an arbitrary undefined effect. The ST20-TP2 can alternatively be set to halt-on-error to prevent further corruption and allow postmortem debugging. The ST20-TP2 also supports user defined trap handlers, see Section 3.6 on page 19 for details.

If a high priority process preempts a low priority one, status of the **Error** and **HaltOnError** flags is saved for the duration of the high priority process and restored at the conclusion of it. Status of both flags is transmitted to the high priority process. Either flag can be altered in the process without upsetting the error status of any complex operation being carried out by the preempted low priority process.

In the event of a processor halting because of **HaltOnError**, the links will finish outstanding transfers before shutting down. If **CPUAnalyse** is asserted then all inputs continue but outputs will not make another access to memory for data. Memory refresh will continue to take place.

10.2 Bootstrap

The ST20-TP2 can be bootstrapped from external ROM, internal ROM or from a link. This is determined by the setting of the **BootSource0-1** pins, see Table 9.4 on page 57. If both **BootSource0-1** pins are held low it will boot from a link. If either or both pins are held high, it will boot from ROM. This is sampled once only by the ST20-TP2, before the first instruction is executed after reset.

10.2.1 Booting from ROM

When booting from ROM, the ST20-TP2 starts to execute code from the top two bytes in external memory, at address #7FFFFFFE which should contain a backward jump to a program in ROM.

10.2.2 Booting from link

When booting from a link, the ST20-TP2 will wait for the first bootstrap message to arrive on the link. The first byte received down the link is the control byte. If the control byte is greater than 1 (i.e. 2 to 255), it is taken as the length in bytes of the boot code to be loaded down the link. The bytes following the control byte are then placed in internal memory starting at location **MemStart**. Following reception of the last byte the ST20-TP2 will start executing code at **MemStart**. The memory space immediately above the loaded code is used as work space. A byte arriving on the bootstrapping link after the last bootstrap byte, is retained and no acknowledge is sent until a process inputs from the link.

10.2.3 Peek and poke

Any location in internal or external memory can be interrogated and altered when the ST20-TP2 is waiting for a bootstrap from link.

When booting from link, if the first byte (the control byte) received down the link is greater than 1, it is taken as the length in bytes of the boot code to be loaded down the link.

If the control byte is 0 then eight more bytes are expected on the link. The first four byte word is taken as an internal or external memory address at which to *poke* (write) the second four byte word.

If the control byte is 1 the next four bytes are used as the address from which to *peek* (read) a word of data; the word is sent down the output channel of the link.

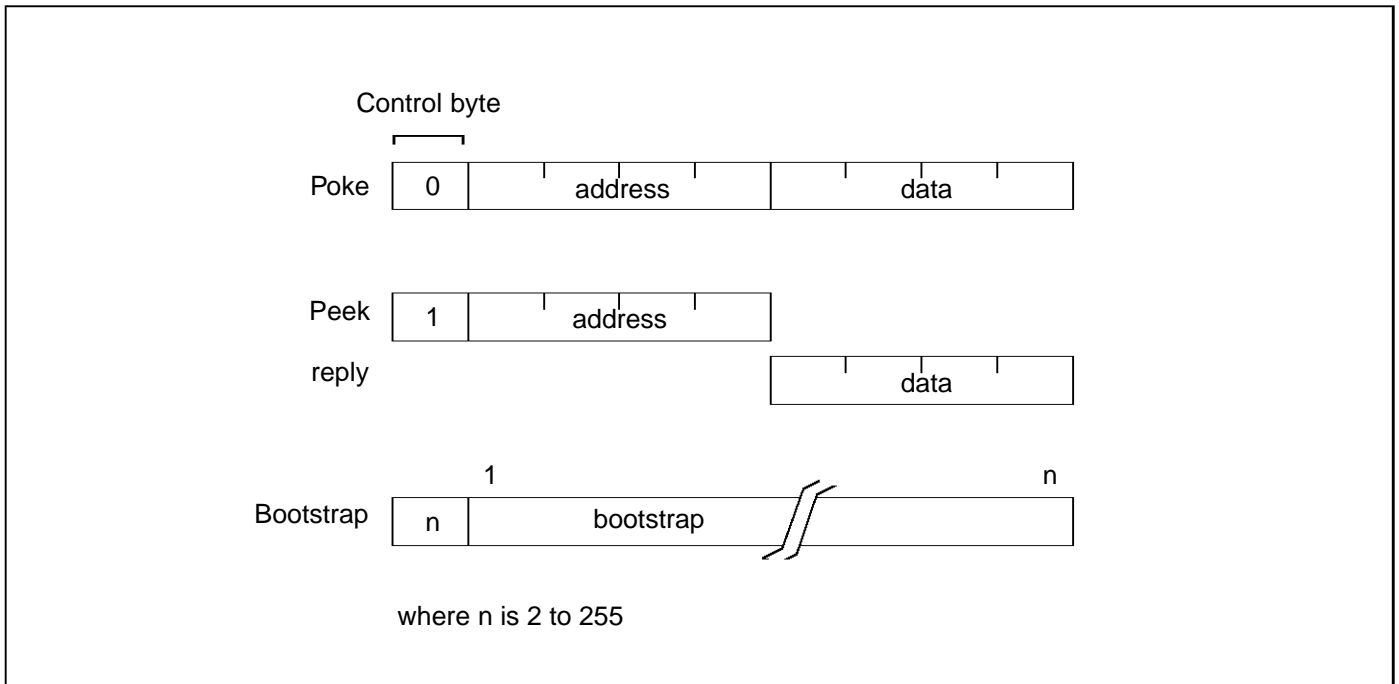


Figure 10.1 Peek, poke and bootstrap

Note, *peeks* and *pokes* in the address range #20000000 to #3FFFFFFF access the internal peripheral device registers. Therefore they can be used to configure the EMI before booting. Note that addresses that overlap the internal peripheral addresses (#20000000 to 3FFFFFFF) can not be accessed via the link.

Following a *peek* or *poke*, the ST20-TP2 returns to its previously held state. Any number of accesses may be made in this way until the control byte is greater than 1, when the ST20-TP2 will commence reading its bootstrap program.

11 Test access port

The ST20-TP2 Test Access Port (TAP) conforms to IEEE standard 1149.1.

The TAP consists of five pins: **TMS**, **TCK**, **TDI**, **TDO** and **notTRST**. **TDO** can be overdriven to the power rails, and **TCK** can be stopped in either logic state.

The instruction register is 5 bits long, with no parity, and the pattern “00001” is loaded into the register during the *Capture-IR* state.

There are four defined public instructions, see Table 11.1. All other instruction codes are reserved.

Instruction code ^a					Instruction	Selected register
0	0	0	0	0	EXTEST	Boundary-Scan
0	0	0	1	0	IDCODE	Identification
0	0	0	1	1	SAMPLE/PRELOAD	Boundary-Scan
1	1	1	1	1	BYPASS	Bypass

Table 11.1 Instruction codes

a. MSB ... LSB; LSB closest to **TDO**.

There are three test data registers; **Bypass**, **Boundary-Scan** and **Identification**. These registers operate according to 1149.1. The **Boundary-Scan** register is not supported on the ST20-TP2. The operation of the **Boundary-Scan** register is defined in the BSDL description.

11.1 Boundary scan description

This is defined for the device in a standard BSDL file. This file can be obtained through your local SGS-THOMSON distributor or sales office.

12 Clocks and low power controller

12.1 Clocks

An on-chip phase locked loop (PLL) generates all the internal high frequency clocks. The PLL is used to generate the internal clock frequencies needed for the CPU and the Link. Alternatively a direct clock input can provide the system clocks.

The internal clock may be turned off (including the PLL) enabling power down mode.

The single clock input (**ClockIn**) must be 27 MHz for PLL operation.

The ST20-TP2 can be set to operate in **TimesOneMode**, which is when the PLL is bypassed. During **TimesOneMode** the input clock must be in the range 0 to 40 MHz and should be nominally 50/50 mark space ratio.

12.1.1 Processor speed select

The speed of the internal processor clock is variable in discrete steps. The clock rate at which the ST20-TP2 runs is determined by the logic levels applied on the two speed select lines **SpeedSelect0-1** as detailed in Table 12.1. The frequency of **ClockIn** (fclk) for the speeds given in the table is 27 MHz.

Speed Select1:0	Processor clock speed MHz	Processor cycle time ns	Phase lock loop factor (PLLx)	High priority timer MHz	Low priority timer MHz	Link speed Mbits/s
00	TimesOneMode					
01	33.3	30.03	1.23	1.040	0.01625	19.98
10	39.96†	25.02	1.48	0.999	0.01561	19.98
11	49.95	20.02	1.85	1.040	0.01625	19.98

Table 12.1 Processor speed selection

Note: Inclusion of a speed selection in this table does not imply availability.

†Clock duty cycle is 40:60.

12.2 Low power control

The ST20-TP2 is designed for 0.5 micron, 3.3V CMOS technology and runs at speeds of up to 40 MHz. 3.3V operation provides reduced power consumption internally and allows the use of low power peripherals. In addition, to further enhance the potential for battery operation, a low power power-down mode is available.

The different power levels of the ST20-TP2 are listed below.

- Operating power - power consumed during functional operation.
- Standby power - power consumed during little or no activity. The CPU is idle but ready to immediately respond to an interrupt/reschedule.
- Power-down - internal clocks are stopped and power consumption is significantly reduced.

Functional operation is stalled. Normal functional operation can be resumed from previous state as soon as the clocks are stable. All internal logic is static so no information is lost during power down.

- Power to most of the chip removed - only the real time clock supply (**RTCVDD**) power on.

12.2.1 Power-down mode

The ST20-TP2 enters power-down when:

- the low power alarm is programmed and started providing there are no pending interrupts, or no active links with **LPDisableLink** register set to 0 (see Table 12.9).

The ST20-TP2 exits power-down when:

- an unmasked interrupt becomes pending
- the low power alarm counter reaches zero.

In power-down mode the processor and all peripherals are stopped, including the external memory controller and optionally the PLL. Effectively the internal clock is stopped and functional operation is stalled. On reset the clock is restarted and the chip resumes normal functional operation.

12.2.2 Low power mode

Low power mode can be achieved in one of two ways, as listed below.

- Availability of direct clock input - this allows external control of clocking directly and thus direct control of power consumption.
- Global system clock may be stopped - in this case the external clock remains running. This mechanism allows the PLL to be kept running (if desired) so that wake up from low power mode will be fast.

Wake-up from low power mode can be from: specific external pin activity (link input or **Interrupt** pin); or the low power timer alarm.

The low power timer and alarm are provided to control the duration for which the global clock generation is stopped during low power mode. The timer and alarm registers can be set by the device store instructions and read by the device load instructions.

Low power timer

The timer keeps track of real time, even when the internal clocks are stopped. The timer is a 64-bit counter which runs off an external clock (**LPCKin**). This clock rate must not be more than one eighth of the system clock rate.

The real time clock is powered from a separate Vdd (**RTCVDD**) allowing it to be maintained at minimal power consumption.

Low power alarm

There is also a 40 bit counter which can be used as a low power alarm or as a watchdog timer, this is determined by the setting of the **WdEnable** register, see Table 12.11.

Alarm

A write to the **LPAAlarmStart** register starts the low power alarm counter and the ST20-TP2 enters low power mode. When the counter has counted down to zero, assuming no other valid wake-up

sources occur first, the ST20-TP2 exits low power mode and the global clocks are turned back on. Whilst the clocks are turned off the **LowPowerStatus** pin is high, otherwise it is low.

Watchdog timer

The low power alarm counter is set to operate as a watchdog timer by setting the **WdEnable** register to 1. This disables entering low power mode when starting the timer.

The low power alarm is programmed and started as normal. When the low power alarm counts down to the value #1, the **notWdReset** pin is asserted low for 1 low power clock cycle.

12.3 Low power configuration registers

The low power controller is allocated a 4k block of memory in the internal peripheral address space, which is shared with the interrupt controller so that the low power controller and the interrupt controller base address are the same. Information on low power mode is stored in registers as detailed in the following section. The registers can be examined and set by the *devlw* (device load word) and *devsw* (device store word) instructions, see Table 6.19 on page 44. Note, they can not be accessed using memory instructions.

LPTimerLS and LPTimerMS

The **LPTimerLS** and **LPTimerMS** registers are the least significant word and most significant word of the **LPTimer** register. This enables the least significant or most significant word to be written independently without affecting the other word.

LPTimerLS		LPC base address + #400	Read/Write
Bit	Bit field	Function	
31:0	LPTimerLS	Least significant word of the low power timer.	

Table 12.2 LPTimerLS register format

LPTimerMS		LPC base address + #404	Read/Write
Bit	Bit field	Function	
31:0	LPTimerMS	Most significant word of the low power timer.	

Table 12.3 LPTimerMS register format

When this register is written, the low power timer is stopped and the new value is available to be written to the low power timer.

LPTimerStart

A write of any value to the **LPTimerStart** register starts the low power timer counter. The counter is stopped and the **LPTimerStart** register reset if either counter word (**LPTimerLS** and **LPTimerMS**) is written.

Note, setting the **LPTimerStart** register to zero does not stop the timer.

LPTimerStart		LPC base address + #408	Write
Bit	Bit field	Function	
0	LPTimerStart	A write to this bit starts the low power timer counter.	

Table 12.4 **LPTimerStart** register format

LPAAlarmLS and LPAAlarmMS

The **LPAAlarmLS** and **LPAAlarmMS** registers are the least significant word and most significant word of the **LPAAlarm** register. This is used to program the alarm register.

LPAAlarmLS		LPC base address + #410	Read/Write
Bit	Bit field	Function	
31:0	LPAAlarmLS	Least significant word of the low power alarm.	

Table 12.5 **LPAAlarmLS** register format

LPAAlarmMS		LPC base address + #414	Read/Write
Bit	Bit field	Function	
7:0	LPAAlarmMS	Most significant word of the low power alarm.	

Table 12.6 **LPAAlarmMS** register format

LPAAlarmStart

A write to the **LPAAlarmStart** register starts the low power alarm counter. The counter is stopped and the **LPStart** register reset if either counter word (**LPTimerLS** and **LPTimerMS**) is written.

LPAAlarmStart		LPC base address + #418	Write
Bit	Bit field	Function	
0	LPAAlarmStart	A write to this bit starts the low power alarm counter.	

Table 12.7 **LPAAlarmStart** register format

LPSysPll

The **LPSysPll** register controls the System Clock PLL operation when low power mode is entered.

LPSysPll		LPC base address + #420	Read/Write
Bit	Bit field	Function	
1:0	LPSysPll	Determines the system clock PLL when low power mode is entered, as follows: LPSysPll1:0 System clock 00 PLL off 01 PLL reference on and power on 10 PLL reference on and power on 11 PLL on	

Table 12.8 **LPSysPll** register format

LPDisableLink

Disables the links as a wake up source from low power mode. The default (reset) state is that the links are enabled to act as a wake up source from low power mode.

LPDisableLink		LPC base address + #428	Read/Write
Bit	Bit field	Function	
0	LPDisableLink	Determines whether the links can be used as a wake up source from low power mode. 0 Links enabled to act as wake up source 1 Links disabled to act as wake up source	

Table 12.9 **LPDisableLink** register format

SysRatio

The **SysRatio** register is a read only register and gives the speed at which the system PLL is running. It contains the relevant PLL multiply ratio when using a PLL, or contains the value '1' when in **TimesOneMode** for that PLL.

SysRatio		LPC base address + #500	Read
Bit	Bit field	Function	
5:0	SysRatio	PLL speed, as follows: SysRatio PLL 1 x1 TimesOneMode 4 x1.23 33.3 MHz 5 x1.48 40 MHz 6 x1.85 50 MHz	

Table 12.10 **SysRatio** register format

WdEnable

Setting the **WdEnable** register enables the low power alarm counter to be used as a watchdog timer.

WdEnable		LPC base address + #510	Read/Write
Bit	Bit field	Function	
0	WdEnable	Determines whether the low power alarm is set to operate as an alarm or as a watchdog timer. 0 alarm 1 watchdog	

Table 12.11 **WdEnable** register format

12.4 Clocking

The low power timer and alarm must be clocked at all times by the watch crystal, as in Figure 12.1.

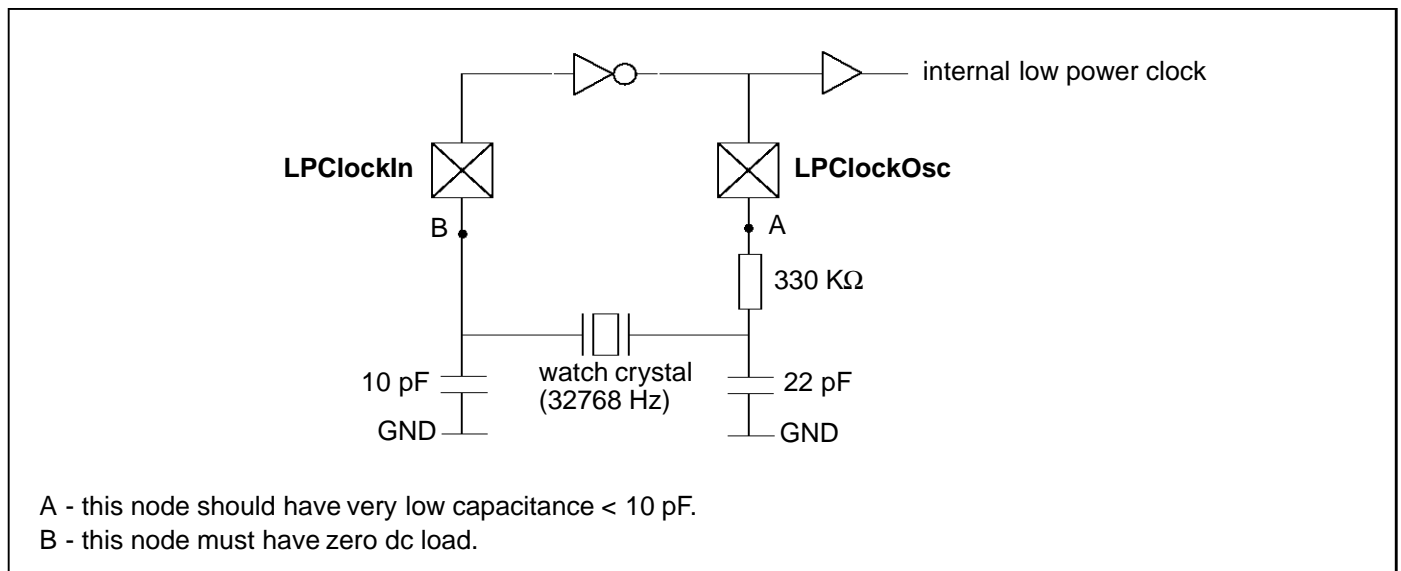


Figure 12.1 Watch crystal clocking source

13 Asynchronous serial controller

The Asynchronous Serial Controller (ASC) provides serial communication between the ST20-TP2 and other microcontrollers, microprocessors or external peripherals.

The ASC supports full-duplex asynchronous communication. Eight or nine bit data transfer, parity generation, and the number of stop bits are programmable. Parity, framing, and overrun error detection is provided to increase the reliability of data transfers. Transmission and reception of data is double-buffered. For multiprocessor communication, a mechanism to distinguish address from data bytes is included. Testing is supported by a loop-back option. A 16-bit baud rate generator provides the ASC with a separate serial clock signal. The ASC can be set to operate in SmartCard mode for use when interfacing to a SmartCard.

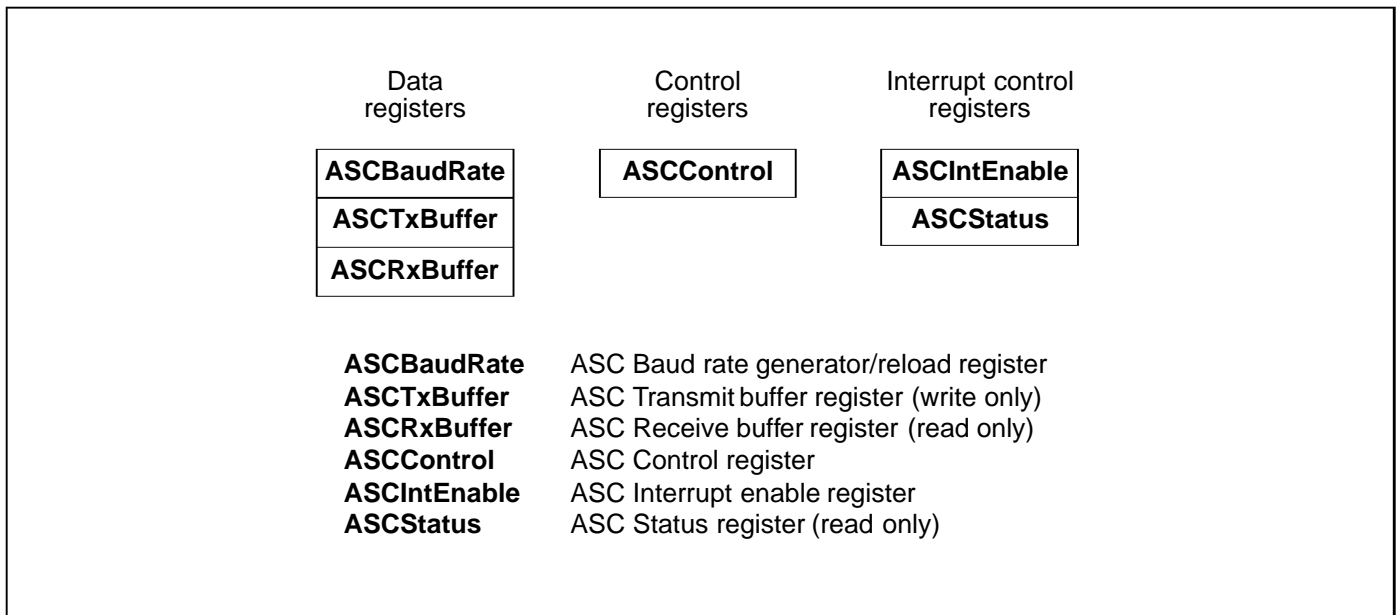


Figure 13.1 Registers associated with the ASC

The operating mode of the serial channel ASC is controlled by the control register (**ASCControl**). This register contains control bits for mode and error check selection, and status flags for error identification.

ASCControl register

ASCControl		ASC base address + #0C	Read/Write																		
Bit	Bit field	Function																			
2:0	Mode	ASC mode control <table border="0"> <tr> <td>Mode2:0</td> <td>Mode</td> </tr> <tr> <td>000</td> <td>RESERVED</td> </tr> <tr> <td>001</td> <td>8-bit data</td> </tr> <tr> <td>010</td> <td>RESERVED</td> </tr> <tr> <td>011</td> <td>7-bit data + parity</td> </tr> <tr> <td>100</td> <td>9-bit data</td> </tr> <tr> <td>101</td> <td>8-bit data + wake up bit</td> </tr> <tr> <td>110</td> <td>RESERVED</td> </tr> <tr> <td>111</td> <td>8-bit data + parity</td> </tr> </table>	Mode2:0	Mode	000	RESERVED	001	8-bit data	010	RESERVED	011	7-bit data + parity	100	9-bit data	101	8-bit data + wake up bit	110	RESERVED	111	8-bit data + parity	
Mode2:0	Mode																				
000	RESERVED																				
001	8-bit data																				
010	RESERVED																				
011	7-bit data + parity																				
100	9-bit data																				
101	8-bit data + wake up bit																				
110	RESERVED																				
111	8-bit data + parity																				
4:3	StopBits	Number of stop bits selection <table border="0"> <tr> <td>StopBits1:0</td> <td>Number of stop bits</td> </tr> <tr> <td>00</td> <td>0.5 stop bits</td> </tr> <tr> <td>01</td> <td>1 stop bits</td> </tr> <tr> <td>10</td> <td>1.5 stop bits</td> </tr> <tr> <td>11</td> <td>2 stop bits</td> </tr> </table>	StopBits1:0	Number of stop bits	00	0.5 stop bits	01	1 stop bits	10	1.5 stop bits	11	2 stop bits									
StopBits1:0	Number of stop bits																				
00	0.5 stop bits																				
01	1 stop bits																				
10	1.5 stop bits																				
11	2 stop bits																				
5	ParityOdd	Parity selection <table border="0"> <tr> <td>0</td> <td>Even parity (parity bit set on odd number of '1's in data)</td> </tr> <tr> <td>1</td> <td>Odd parity (parity bit set on even number of '1's in data)</td> </tr> </table>	0	Even parity (parity bit set on odd number of '1's in data)	1	Odd parity (parity bit set on even number of '1's in data)															
0	Even parity (parity bit set on odd number of '1's in data)																				
1	Odd parity (parity bit set on even number of '1's in data)																				
6	LoopBack	Loopback mode enable bit <table border="0"> <tr> <td>0</td> <td>Standard transmit/receive mode</td> </tr> <tr> <td>1</td> <td>Loopback mode enabled</td> </tr> </table>	0	Standard transmit/receive mode	1	Loopback mode enabled															
0	Standard transmit/receive mode																				
1	Loopback mode enabled																				
7	Run	Baudrate generator run bit <table border="0"> <tr> <td>0</td> <td>Baudrate generator disabled (ASC inactive)</td> </tr> <tr> <td>1</td> <td>Baudrate generator enabled</td> </tr> </table>	0	Baudrate generator disabled (ASC inactive)	1	Baudrate generator enabled															
0	Baudrate generator disabled (ASC inactive)																				
1	Baudrate generator enabled																				
8	RxEnable	Receiver enable bit <table border="0"> <tr> <td>0</td> <td>Receiver disabled</td> </tr> <tr> <td>1</td> <td>Receiver enabled</td> </tr> </table>	0	Receiver disabled	1	Receiver enabled															
0	Receiver disabled																				
1	Receiver enabled																				
9	SCEnable	SmartCard enable bit <table border="0"> <tr> <td>0</td> <td>SmartCard mode disabled</td> </tr> <tr> <td>1</td> <td>SmartCard mode enabled</td> </tr> </table>	0	SmartCard mode disabled	1	SmartCard mode enabled															
0	SmartCard mode disabled																				
1	SmartCard mode enabled																				
15:10		RESERVED. Write 0, will read back 0.																			

Table 13.1 **ASCControl** register format

A transmission is started by writing to the transmit buffer register (**ASCTxBuffer**), see Table 13.2.

Data transmission is double-buffered, therefore a new character may be written to the transmit buffer register, before the transmission of the previous character is complete. This allows characters to be sent back-to-back without gaps.

Data reception is enabled by the receiver enable bit (**RxEnable**) in the **ASCControl** register. After reception of a character has been completed, the received data and, if provided by the selected operating mode, the received parity bit can be read from the receive buffer register (**ASCRx-Buffer**), refer to Table 13.3.

Data reception is double-buffered, so that reception of a second character may begin before the received character has been read out of the receive buffer register. The overrun error status flag (**OverrunError**) in the status register (**ASCStatus**) (see Table 13.6) will be set when the receive buffer register has not been read by the time reception of a second character is complete. The previously received character in the receive buffer is overwritten, and the **ASCStatus** register is updated to reflect the reception of the new character.

The loop-back option (selected by the **LoopBack** bit) internally connects the output of the transmitter shift register to the input of the receiver shift register. This may be used to test serial communication routines at an early stage without having to provide an external network.

Note: Serial data transmission or reception is only possible when the baud rate generator run bit (**Run**) is set to 1. When the **Run** bit is set to 0, **TXD** will be 1. Setting the **Run** bit to 0 will immediately freeze the state of the transmitter and receiver. This should only be done when the ASC is idle.

Note: Programming the mode control field **Mode** in the **ASCControl** register to one of the reserved combinations may result in unpredictable behavior of the serial controller.

Transmit and receive buffer registers

ASCTxBuffer		ASC base address + #04	Write only
Bit	Bit field	Function	
0	TD0	Transmit buffer data D0	
1	TD1	Transmit buffer data D1	
2	TD2	Transmit buffer data D2	
3	TD3	Transmit buffer data D3	
4	TD4	Transmit buffer data D4	
5	TD5	Transmit buffer data D5	
6	TD6	Transmit buffer data D6	
7	TD7/Parity	Transmit buffer data D7 , or parity bit - dependent on the operating mode (the setting of the Mode field of the ASCControl register).	
8	TD8/Parity/Wake/0	Transmit buffer data D8 , or parity bit, or wake-up bit or undefined - dependent on the operating mode (the setting of the Mode field of the ASCControl register). Note: If the Mode field selects an 8 bit frame then this bit should be written as 0.	
15:9		RESERVED. Write 0.	

Table 13.2 ASCTxBuffer register format

ASCRxBuffer		ASC base address + #08	Read only
Bit	Bit field	Function	
0	RD0	Receive buffer data D0	
1	RD1	Receive buffer data D1	
2	RD2	Receive buffer data D2	
3	RD3	Receive buffer data D3	
4	RD4	Receive buffer data D4	
5	RD5	Receive buffer data D5	
6	RD6	Receive buffer data D6	
7	RD7/Parity	Receive buffer data D7 , or parity bit - dependent on the operating mode (the setting of the Mode bit of the ASCControl register).	
8	RD8/Parity/Wake/X	Receive buffer data D8 , or parity bit, or wake-up bit - dependent on the operating mode (the setting of the Mode field of the ASCControl register) Note: If the Mode field selects an 8 bit frame then this bit is undefined. Software should ignore this bit when reading 8 bit frames	
15:9		RESERVED. Will read back 0.	

Table 13.3 ASCRxBuffer register format

13.1 Operation

The ASC supports full-duplex asynchronous communication, where both the transmitter and the receiver use the same data frame format and the same baud rate. Data is transmitted on the **TXD** pin and received on the **RXD** pin.

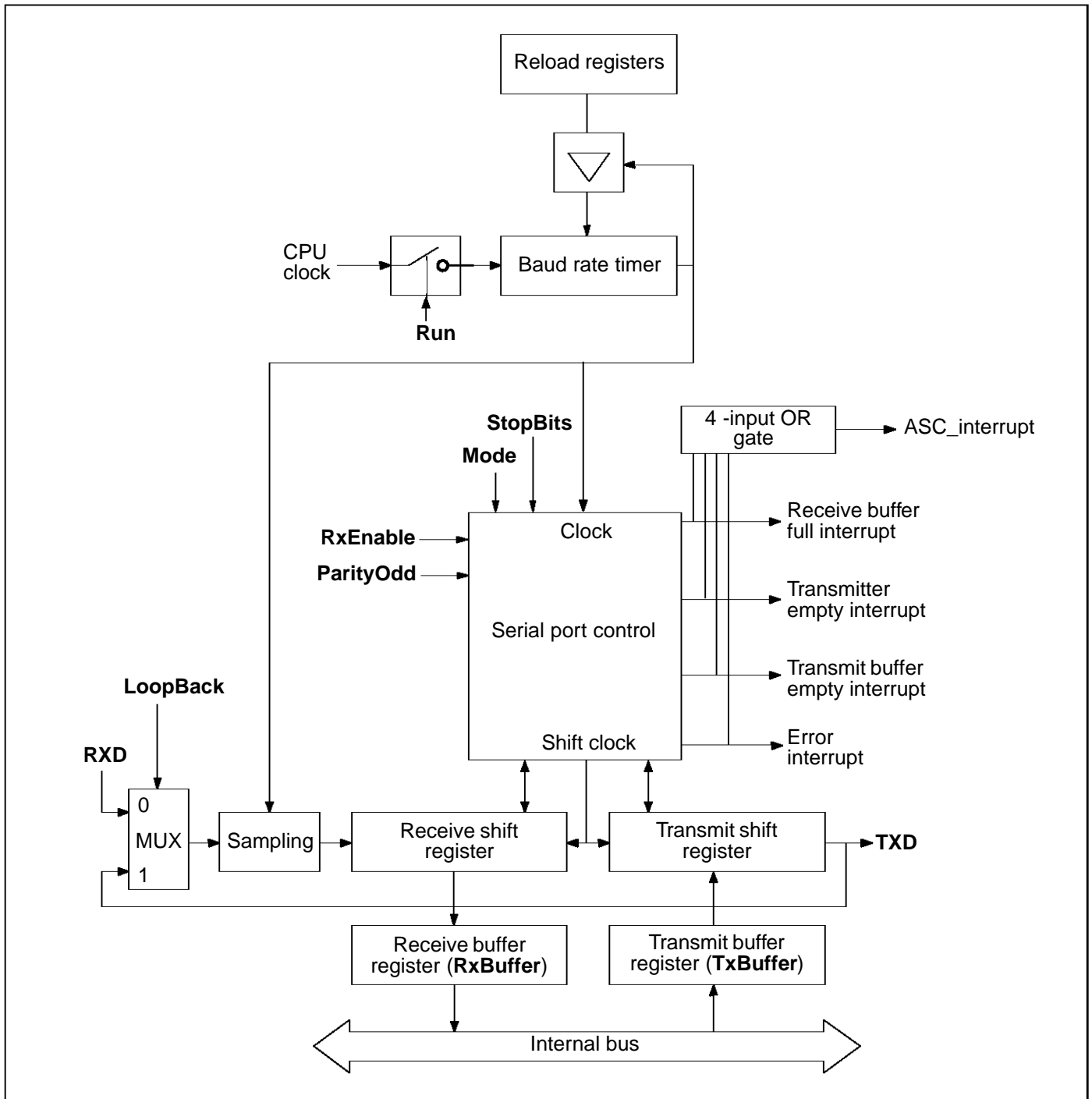


Figure 13.2 Block diagram of the ASC

Data frames

8-bit data frames either consist of:

- eight data bits **D0-7** (by setting the **Mode** bit field to 001);
- seven data bits **D0-6** plus an automatically generated parity bit (by setting the **Mode** bit field to 011).

Parity may be odd or even, depending on the **ParityOdd** bit in the **ASCControl** register. An even parity bit will be set, if the modulo-2-sum of the seven data bits is 1. An odd parity bit will be cleared in this case. The parity error flag (**ParityError**) will be set if a wrong parity bit is received. The parity bit itself will be stored in bit 7 of the **ASCRxBuffer** register.

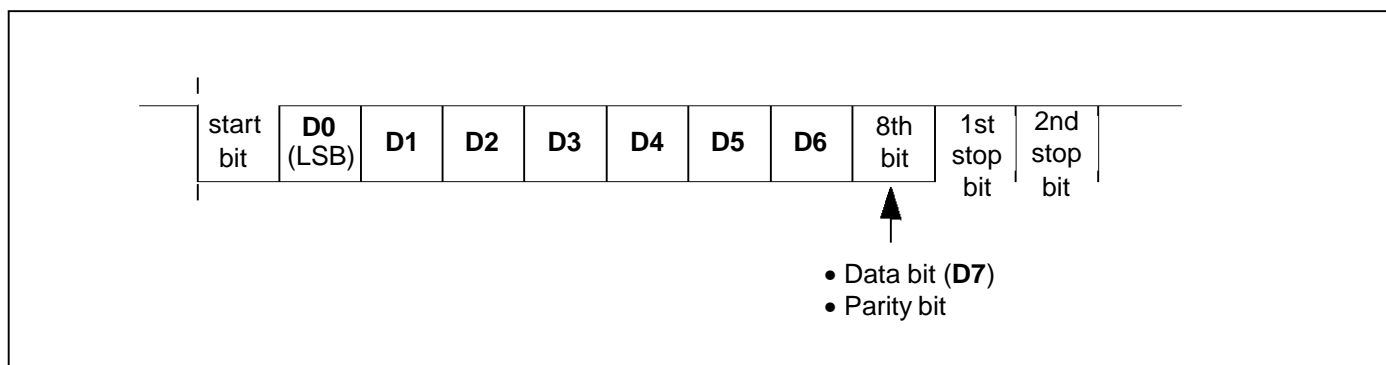


Figure 13.3 8-bit data frames

9-bit data frames either consist of:

- nine data bits **D0-8** (by setting the **Mode** bit field to 100);
- eight data bits **D0-7** plus an automatically generated parity bit (by setting the **Mode** bit field to 111);
- eight data bits **D0-7** plus a wake-up bit (by setting the **Mode** bit field to 101).

Parity may be odd or even, depending on the **ParityOdd** bit in the **ASCControl** register. An even parity bit will be set, if the modulo-2-sum of the eight data bits is 1. An odd parity bit will be cleared in this case. The parity error flag (**ParityError**) will be set if a wrong parity bit is received. The parity bit itself will be stored in bit 8 of the **ASCRxBuffer** register, see Table 13.3.

In wake-up mode, received frames are only transferred to the receive buffer register if the ninth bit (the wake-up bit) is 1. If this bit is 0, no receive interrupt request will be activated and no data will be transferred.

This feature may be used to control communication in multi-processor systems. When the master processor wants to transmit a block of data to one of several slaves, it first sends out an address byte which identifies the target slave. An address byte differs from a data byte in that the additional ninth bit is a 1 for an address byte and a 0 for a data byte, so no slave will be interrupted by a data byte. An address byte will interrupt all slaves (operating in 8-bit data + wake-up bit mode), so each slave can examine the 8 least significant bits (LSBs) of the received character (the address). The addressed slave will switch to 9-bit data mode, which enables it to receive the data bytes that will be coming (with the wake-up bit cleared). The slaves that are not being addressed remain in 8-bit data + wake-up bit mode, ignoring the following data bytes.

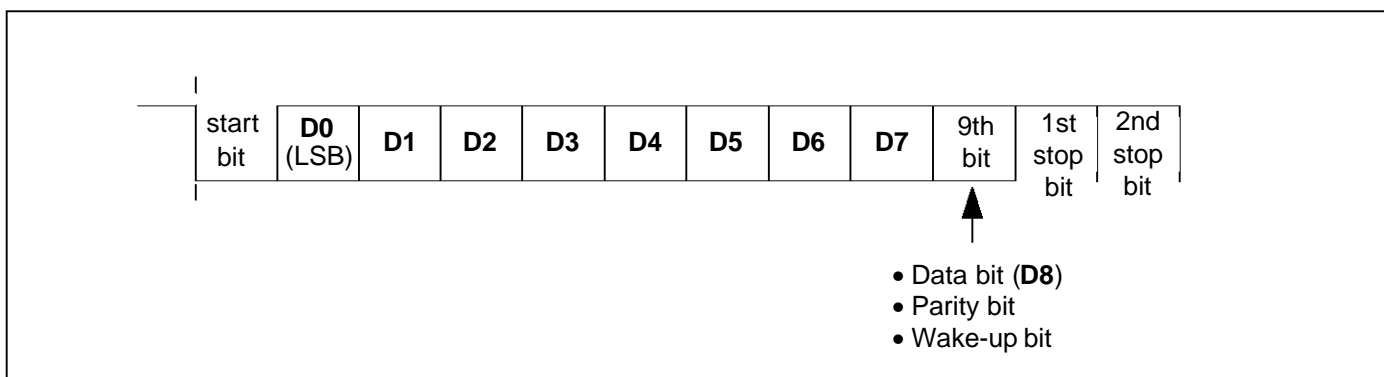


Figure 13.4 9-bit data frames

Transmission

Transmission begins at the next overflow of the divide-by-16 counter (see Figure 13.4 above), provided that the **Run** bit is set and data has been loaded into the **ASCTxBuffer**. The transmitted data frame consists of three basic elements:

- the start bit
- the data field (8 or 9 bits, least significant bit (LSB) first, including a parity bit, if selected)
- the stop bits (0.5, 1, 1.5 or 2 stop bits).

Data transmission is double buffered. When the transmitter is idle, the transmit data written into the transmit buffer is immediately moved to the transmit shift register, thus freeing the transmit buffer for the next data to be sent. This is indicated by the transmit buffer empty flag (**TxBufEmpty**) being set. The transmit buffer can be loaded with the next data, while transmission of the previous data is still going on.

The transmitter empty flag (**TxEEmpty**) will be set at the beginning of the last data frame bit that is transmitted, i.e. during the first system clock cycle of the first stop bit shifted out of the transmit shift register.

Reception

Reception is initiated by a falling edge on the data input pin (**RXD**), provided that the **Run** and **RxEnable** bits are set. The **RXD** pin is sampled at 16 times the rate of the selected baud rate. A majority decision of the first, second and third samples of the start bit determines the effective bit value. This avoids erroneous results that may be caused by noise.

If the detected value is not a 0 when the start bit is sampled, the receive circuit is reset and waits for the next falling edge transition at the **RXD** pin. If the start bit is valid, the receive circuit continues sampling and shifts the incoming data frame into the receive shift register. For subsequent data and parity bits, the majority decision of the seventh, eighth and ninth samples in each bit time is used to determine the effective bit value.

For 0.5 stop bits, the majority decision of the third, fourth, and fifth samples during the stop bit is used to determine the effective stop bit value.

For 1 and 2 stop bits, the majority decision of the seventh, eighth, and ninth samples during the stop bits is used to determine the effective stop bit values.

For 1.5 stop bits, the majority decision of the fifteenth, sixteenth, and seventeenth samples during the stop bits is used to determine the effective stop bit value.

When the last stop bit has been received (at the end of the last programmed stop bit period) the content of the receive shift register is transferred to the receive data buffer register (**ASCRxBuffer**). The receive buffer full flag (**RxBufFull**) is set, and the parity (**ParityError**) and framing error (**FrameError**) flags are updated at the same time, after the last stop bit has been received (at the end of the last stop bit programmed period), regardless of whether valid stop bits have been received or not. The receive circuit then waits for the next start bit (falling edge transition) at the **RXD** pin.

Reception is stopped by clearing the **RxEnable** bit. A currently received frame is completed including the generation of the receive status flags. Start bits that follow this frame will not be recognized.

Note: In wake-up mode, received frames are only transferred to the receive buffer register if the ninth bit (the wake-up bit) is 1. If this bit is 0, the receive buffer full (**RxBufFull**) flag will not be set and no data will be transferred.

13.2 Hardware error detection capabilities

To improve the safety of serial data exchange, the ASC provides three error status flags in the **ASCStatus** register which indicate if an error has been detected during reception of the last data frame and associated stop bits.

The parity error bit (**ParityError**) in the **ASCStatus** register is set when the parity check on the received data is incorrect.

The framing error bit (**FrameError**) in the **ASCStatus** register is set when the **RXD** pin is not a 1 during the programmed number of stop bit times, sampled as described in the section above.

The overrun error bit (**OverrunError**) in the **ASCStatus** register is set when the last character received in the **ASCRxBuffer** register has not been read out before reception of a new frame is complete.

These flags are updated simultaneously with the transfer of data to the receive buffer.

13.3 Baud rate generation

The ASC has its own dedicated 16-bit baud rate generator with 16-bit reload capability.

The baud rate generator is clocked with the CPU clock. The timer counts downwards and can be started or stopped by the **Run** bit in the **ASCControl** register. Each underflow of the timer provides one clock pulse. The timer is reloaded with the value stored in its 16-bit reload register each time it underflows. The **ASCBaudRate** register is the dual-function baud rate generator/reload register. A read from this register returns the content of the timer; writing to it updates the reload register.

An auto-reload of the timer with the content of the reload register is performed each time the **ASCBaudRate** register is written to. However, if the **Run** bit is 0 at the time the write operation to the **ASCBaudRate** register is performed, the timer will not be reloaded until the first CPU clock cycle after the **Run** bit is 1.

13.3.1 Baud rate generator register

ASCBAudRate		ASC base address + #00		Read/Write
Bit	Bit field	Write Function	Read Function	
15:0	ReloadVal	16 bit reload value	16 bit count value	

Table 13.4 **ASCBAudRate** register format

Baud rates

The baud rate generator provides a clock at 16 times the baud rate. The baud rate and the required reload value for a given baud rate can be determined by the following formulae:

$$\text{Baudrate} = \frac{f_{\text{CPU}}}{16 \langle \text{ASCBAudRate} \rangle}$$

$$\langle \text{ASCBAudRate} \rangle = \left(\frac{f_{\text{CPU}}}{16 \times \text{Baudrate}} \right)$$

where: $\langle \text{ASCBAudRate} \rangle$ represents the content of the **ASCBAudRate** register, taken as unsigned 16-bit integer,
 f_{CPU} is the frequency of the CPU.

Table 13.5 lists various commonly used baud rates together with the required reload values and the deviation errors for an example baud rate with a CPU clock of 50 MHz. Note, this does not imply availability of a 50 MHz device.

Baud rate	Reload value (exact)	Reload value (integer)	Reload value (hex)	Deviation error
625 K	5	5	0005	0%
38.4 K	81.380	81	0051	0.1%
19.2 K	162.760	163	00A3	0.1%
9600	325.521	325	0145	0.2%
4800	651.042	651	028B	0.01%
2400	1302.083	1302	0516	0.01%
1200	2604.167	2604	0A2C	0.01%
600	5208.33	5208	1458	0.01%
300	10416.667	10417	28B1	0.01%
75	41666.667	41667	A2C3	0.01%

Table 13.5 Baud rates

Note: The deviation errors given in the table above are rounded.

13.4 Interrupt control

The ASC contains two registers that are used to control interrupts, the status register (**ASCStatus**) and the interrupt enable register (**ASCIntEnable**). The status bits in the **ASCStatus** register determine the cause of the interrupt. Interrupts will occur when a status bit is 1 (high) and the corresponding bit in the **ASCIntEnable** register is 1.

The error interrupt signal (**ErrorInterrupt**) is generated by the ASC from the OR of the parity error, framing error, and overrun error status bits after they have been ANDed with the corresponding enable bits in the **ASCIntEnable** register.

An overall interrupt request signal (**ASC_interrupt**) is generated from the OR of the **ErrorInterrupt** signal and the **TxEmpty**, **TxBufEmpty** and **RxBufFull** signals.

Note the status register *cannot* be written to directly by software. The reset mechanism for the status register is described below.

The transmitter interrupt status bits (**TxEmpty**, **TxBufEmpty**) are reset when a character is written to the transmitter buffer.

The receiver interrupt status bit (**RxBufFull**) is reset when a character is read from the receive buffer.

The error status bits (**ParityError**, **FrameError**, **OverrunError**) are reset when a character is read from the receive buffer.

ASCStatus		ASC base address + #14	Read Only
Bit	Bit field	Function	
0	RxBufFull	Receiver buffer full flag 1 receiver buffer full	
1	TxEmpty	Transmitter empty flag 1 transmitter empty	
2	TxBufEmpty	Transmitter buffer empty flag 1 transmitter buffer empty	
3	ParityError	Parity error flag 1 Parity error	
4	FrameError	Framing error flag 1 Framing error	
5	OverrunError	Overrun error flag 1 Overrun error	
7:6		RESERVED. Write 0, will read back 0.	

Table 13.6 **ASCStatus** register format

ASCIntEnable		ASC base address + #10	Read/Write
Bit	Bit field	Function	
0	RxBufFullIE	Receiver buffer full interrupt enable 1 receiver buffer full interrupt enable	
1	TxEmptyIE	Transmitter empty interrupt enable 1 transmitter empty interrupt enable	
2	TxBufEmptyIE	Transmitter buffer empty interrupt enable 1 transmitter buffer empty interrupt enable	
3	ParityErrorIE	Parity error interrupt enable 1 Parity error interrupt enable	
4	FrameErrorIE	Framing error interrupt enable 1 Framing error interrupt enable	
5	OverrunErrorIE	Overrun error interrupt enable 1 Overrun error interrupt enable	
7:6		RESERVED. Write 0, will read back 0.	

Table 13.7 **ASCIntEnable** register format

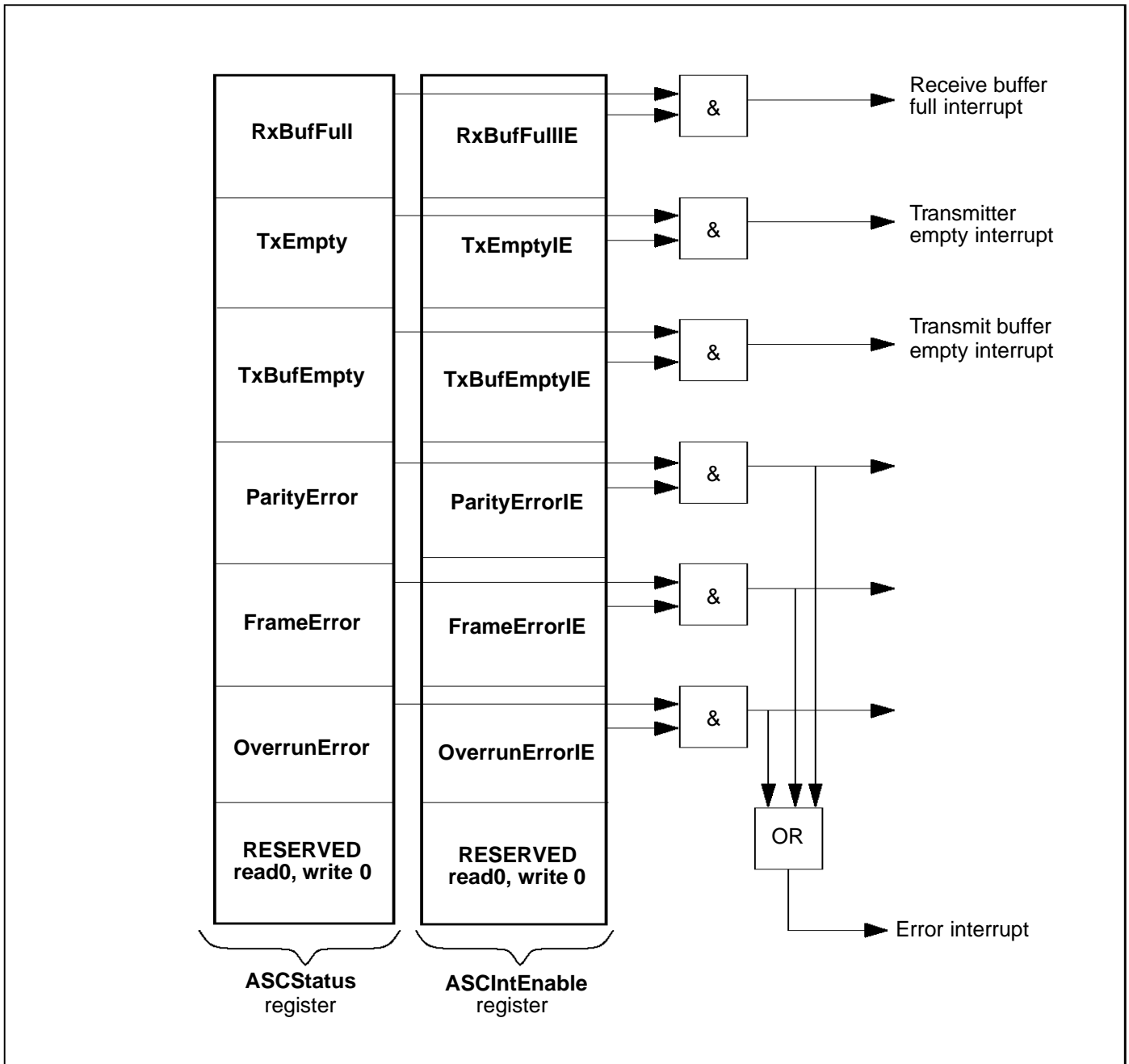


Figure 13.5 ASC status and interrupt registers

Using the ASC interrupts

For normal operation (i.e. besides the error interrupt) the ASC provides three interrupt requests to control data exchange via the serial channel:

- **TxBufEmpty** is activated when data is moved from **ASCTxBuffer** to the transmit shift register.
- **TxEEmpty** is activated before the last bit of a frame is transmitted.
- **RxBufFull** is activated when the received frame is moved to **ASCRxBuffer**.

The transmitter generates two interrupts. This provides advantages for the servicing software.

For single transfers it is sufficient to use the transmitter interrupt (**TxEEmpty**), which indicates that the previously loaded data has been transmitted, except for the last bit of a frame.

For multiple back-to-back transfers it is necessary to load the next data before the last bit of the previous frame has been transmitted. This leaves just one bit-time for the handler to respond to the transmitter interrupt request.

Using the transmit buffer interrupt (**TxBufEmpty**) to reload transmit data allows the time to transmit a complete frame for the service routine, as **ASCTxBuffer** may be reloaded while the previous data is still being transmitted.

As shown in Figure 13.6 below, **TxBufEmpty** is an early trigger for the reload routine, while **TxEEmpty** indicates the completed transmission of the data field of the frame. Therefore, software using handshake should rely on **TxEEmpty** at the end of a data block to make sure that all data has really been transmitted.

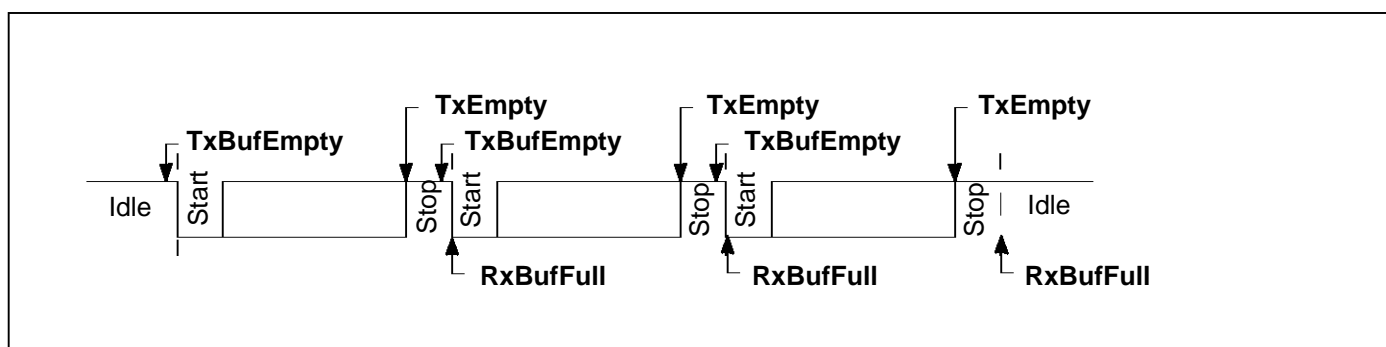


Figure 13.6 ASC interrupt generation

13.5 SmartCard mode specific operation

The **ASCGuardTime** register enables the user to define a programmable number of baud clocks to delay the assertion of **TxEmpty**.

ASCGuardTime		ASC base address + #18	Read/Write
Bit	Bit field	Function	
7:0	GuardTime	Number of baud clocks to delay assertion of TxEmpty .	
15:8		RESERVED. Write 0, will read back 0.	

Table 13.8 **ASCGuardTime** register format

To conform to the ISO Smart Card specification the following modes are supported in the ASC SmartCard mode.

When the SmartCard mode bit is set to 1, the following operation occurs.

- Transmission of data from the transmit shift register is guaranteed to be delayed by a minimum of 1/2 baud clock. In normal operation a full transmit shift register will start shifting on the next baud clock edge. In SmartCard mode this transmission is further delayed by a guaranteed 1/2 baud clock.
- If a parity error is detected during reception of a frame programmed with a 1/2 stop bit period, the transmit line is pulled low for a baud clock period after the completion of the receive frame, i.e. at the end of the 1/2 stop bit period. This is to indicate to the SmartCard that the data transmitted to the UART has not been correctly received.
- The assertion of the **TxEmpty** flag can be delayed by programming the **ASCGuardTime** register. In normal operation, **TxEmpty** is asserted when the transmit shift register is empty and no further transmit requests are outstanding.

In SmartCard mode an empty transmit shift register triggers the guardtime counter to count up to the programmed value in the **ASCGuardTime** register. **TxEmpty** is forced low during this time. When the guardtime counter reaches the programmed value **TxEmpty** is asserted high.

The de-assertion of **TxEmpty** is unaffected by SmartCard mode.

The receiver enable bit is reset after a character has been received. This avoids the receiver detecting another start bit in the case of the smartcard driving the **RXD** line low until the UART driver software has dealt with the previous character.

When the SmartCard mode bit is set to 0, normal UART operation occurs.

14 SmartCard interface

The SmartCard interface is designed to support only asynchronous protocol SmartCards as defined in the *ISO7816-3 standard*. Limited support for synchronous SmartCards can be provided in software by using PIO bits to provide the Clock, Reset, and I/O functions on the interface to the card. Two SmartCard interfaces are supported on the ST20-TP2.

A UART (ASC) configured as eight data bits plus parity, 0.5 or 1.5 stop bits, with SmartCard mode enabled provides the UART function of the SmartCard interface. A 16 bit counter, the SmartCard clock generator, divides down either the CPU clock, or an external clock connected to a pin shared with a PIO bit, to provide the clock to the SmartCard. PIO bits in conjunction with software are used to provide the rest of the functions required to interface to the SmartCard. The inverse signalling convention as defined in *ISO7816-3*, inverted data and MSB first, is handled in software.

Refer to Chapter 13 and Chapter 17 for details of the ASC and PIO ports respectively.

14.1 External interface

The signals required by the SmartCard are given in Table 14.1.

Pin	Function
Clk	Clock for SmartCard
I/O	Input or output serial data. Open drain drive at both ends.
RST	Reset to card
Vcc	Supply voltage
Vpp	Programming voltage

Table 14.1 SmartCard pins

The signals provided on the ST20-TP2 are given in Table 14.2.

Pin	In/Out	Function
ScClk	out, open drain for 5 V cards	Clock for SmartCard.
ScClkGenExtClk	in	External clock input to SmartCard clock divider.
ScDataOut	out, open drain driver	Serial data output. Open drain drive.
ScDataIn	in	Serial data input.
ScRST	out, open drain	Reset to card.
ScCmdVcc	out	Supply voltage enable/disable.
ScCmdVpp	out	Programming voltage enable/disable.
ScDetect	in	SmartCard detect.

Table 14.2 SmartCard interface pins

The **ScRST**, **ScCmdVpp**, **ScCmdVcc**, and **ScDetect** signals are provided by PIO bits of the PIO ports. Programming the PIO bits of the port for alternate function modes connects the ASC **TXD** data signal to the **ScDataOut** pin with the correct driver type and the clock generator to the **ScClk** pin. Details of the PIO bit assignments can be found in Table Table 27.1 on page 177.

The ISO standard defines the bit times for the asynchronous protocol in terms of a time unit called an ETU which is related to the clock frequency input to the card. One bit time is of length one ETU.

The ASC transmitter output and receiver input need to be connected together externally. For the transmission of data from the ST20-TP2 to the SmartCard, the ASC will need to be set up in SmartCard mode.

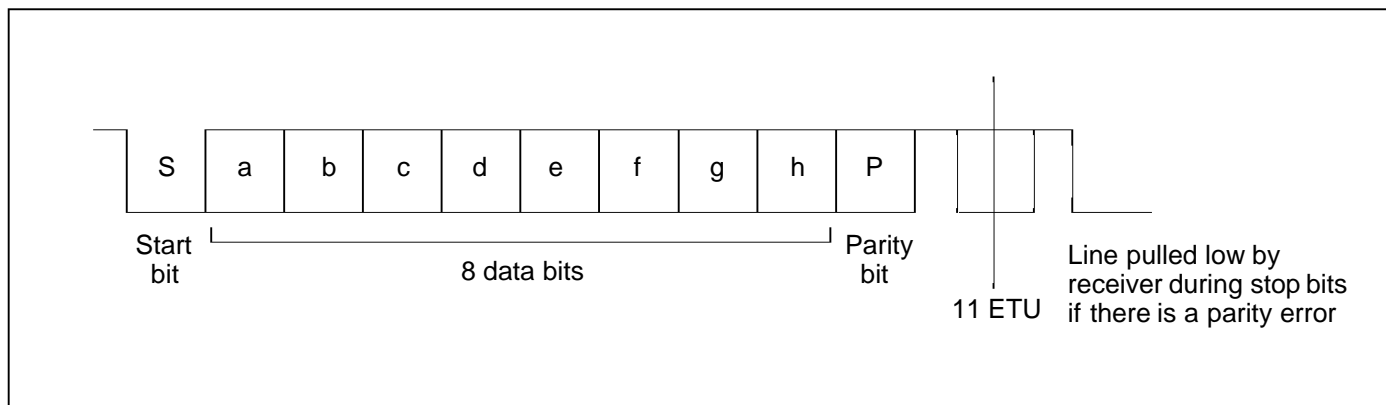


Figure 14.1 ISO 7816-3 asynchronous protocol

14.2 SmartCard clock generator

The SmartCard clock generator provides a clock signal to the connected SmartCard. The SmartCard uses this clock to derive the baud rate clock for the serial I/O between the SmartCard and another UART. The clock is also used for the CPU in the card, if present. Operation of the SmartCard interface requires that the clock rate to the card is adjusted while the CPU in the card is running code so that the baud rate can be changed or the performance of the card can be increased. The protocols that govern the negotiation of these clock rates and the altering of the clock rate are detailed in *ISO7816-3 standard*. The clock is used as the CPU clock for the SmartCard therefore updates to the clock rate must be synchronized to the clock (**Clk**) to the SmartCard, i.e. the clock high or low pulse widths must not be shorter than either the old or new programmed value.

The clock generator clock source can be set to be either the system clock or an external pin. Two registers control the period of the clock and the running of the clock.

Note: The clock generator is independent of the UART Baud rate.

14.2.1 SmartCard clock generator registers

The SmartCard can be programmed via registers which are mapped into the device address space. They may be accessed using *devsw* and *devlw* instructions.

The base addresses for the SmartCard registers are given in the Memory Map chapter.

Note: During reset all of the registers are reset to '0'.

ScClkVal register

The **ScClkVal** register determines the SmartCard clock frequency. The value given in the register is multiplied by 2 to give the division factor of the input clock frequency.

The divider is updated with the new value for the divider ratio on the next rising or falling edge of the output clock.

ScClkVal		SmartCard clock generator base address + #00	Write only
Bit	Bit field	Function	
4:0	ScClkVal	These bits determine the source clock divider value. This value multiplied by 2 gives the clock division factor, see examples which follow: ScClkVal4:0 Division 00000 DO NOT PROGRAM THIS VALUE 00001 divides the source clock frequency by 2 00010 divides the source clock frequency by 4	
7:5		RESERVED. Write 0.	

Table 14.3 **ScClkVal** register format

ScClkCon register

The **ScClkCon** register controls the source of the clock and determines whether the SmartCard clock output is enabled. The programmable divider and the output are reset when the enable bit is set to 0.

ScClkCon		SmartCard clock generator base address + #04	Write only
Bit	Bit field	Function	
0	ScClkSource	Selects source of SmartCard clock. 0 selects global clock 1 selects external pin	
1		SmartCard clock generator enable bit. 0 stop clock, set output low and reset divider 1 enable clock generator	
7:2		RESERVED. Write 0.	

Table 14.4 **ScClkCon** register format

15 I²C interfaces (SSC)

The High-Speed Synchronous Serial Controller (SSC) can be used to interface to a wide variety of serial memories, remote control receivers, and other microcontrollers. Various interface standards exist for these, the most important of which is the I²C bus in the set-top box application as this is the interface used most often for the control of the Link-IC and the PAL/NTSC encoder. Figure 15.1 below shows how the SSC is interfaced to an I²C bus as the bus master. Software is required to handle some of the I²C bus protocol such as byte acknowledgement.

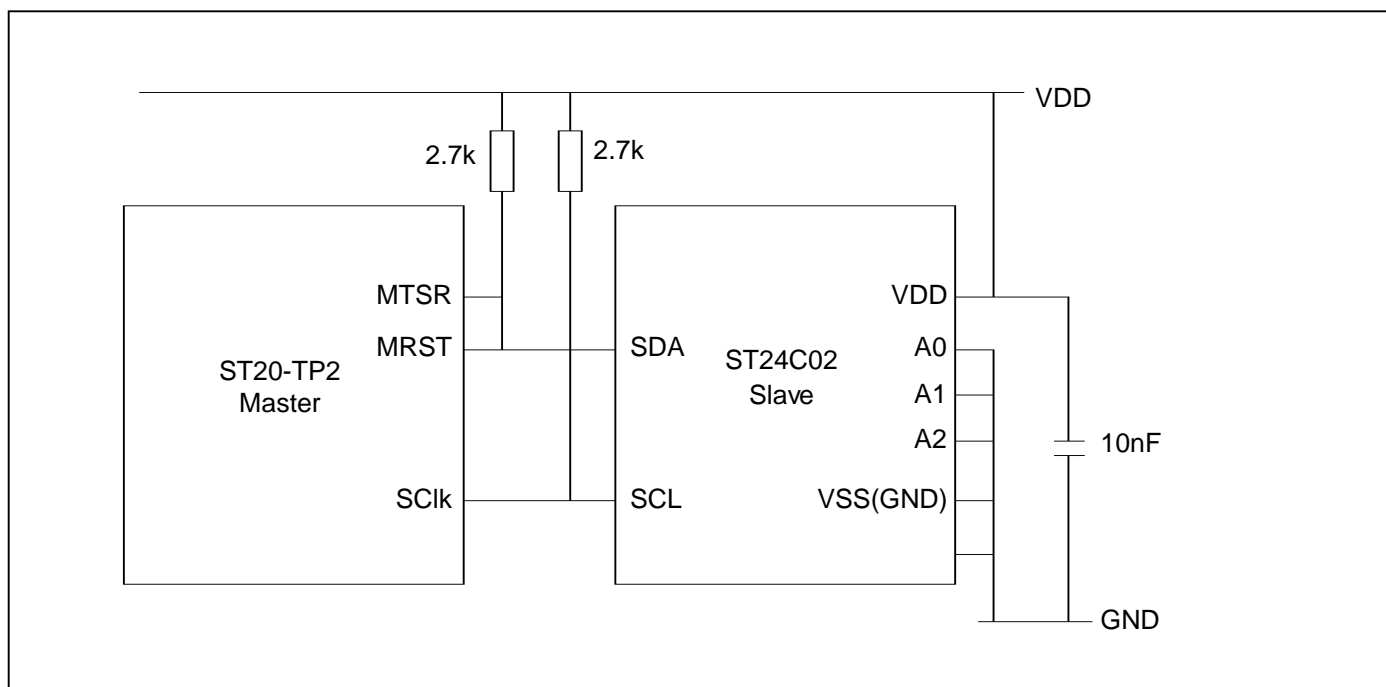


Figure 15.1 Connection of ST24C02 and ST20-TP2 in I²C-bus

The SSC provides flexible high-speed serial communication between the ST20-TP2 and other microcontrollers, microprocessors or external peripherals using the I²C bus protocol.

15.1 High-speed synchronous serial controller

The SSC supports full-duplex and half-duplex synchronous communication. The serial clock signal can be generated by the SSC itself (master mode). Data width is programmable. Transmission and reception of data is double-buffered. A 16-bit baud rate generator provides the SSC with a separate serial clock signal.

The high-speed synchronous serial controller can be used to communicate with shift registers (IO expansion), peripherals (e.g. EEPROMs) or other controllers (networking). The SSC supports half-duplex and full-duplex communication.

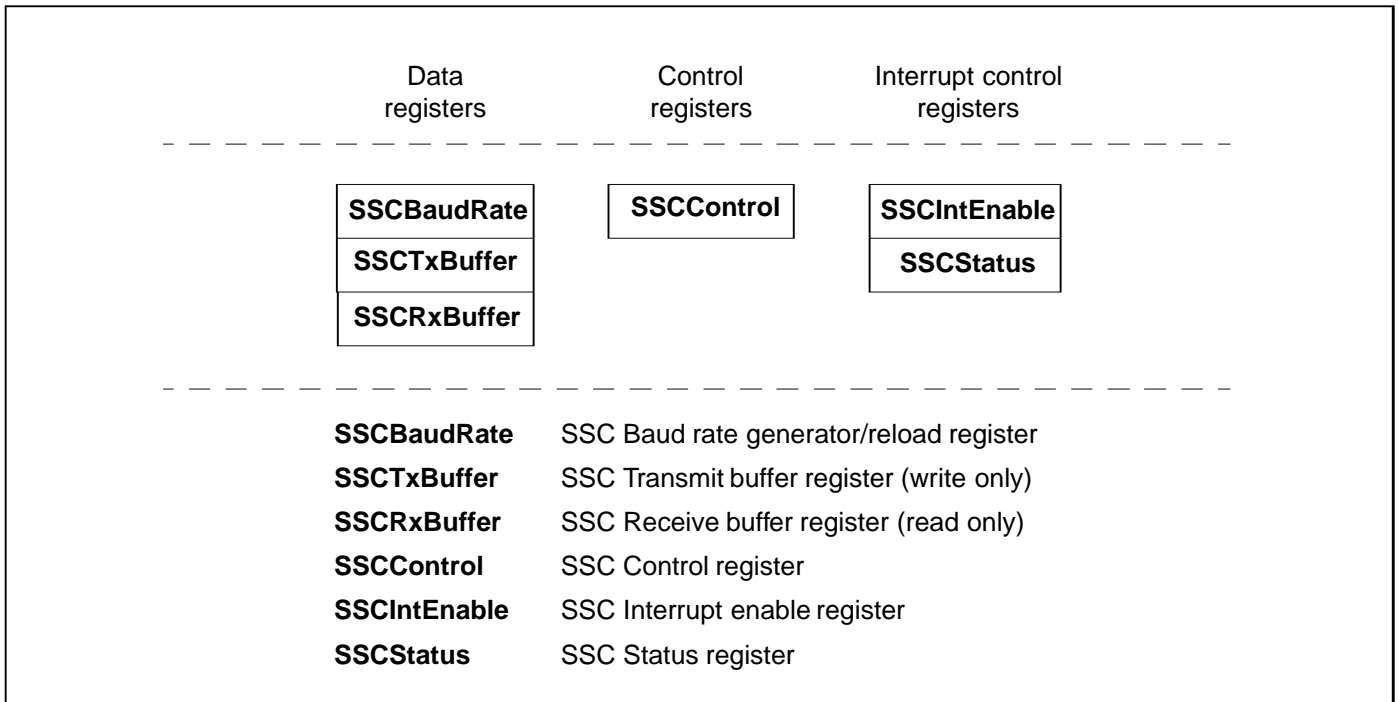


Figure 15.2 Registers associated with the SSC

Control register

The operating mode of the serial channel SSC is controlled by the control register (**SSCControl**).

SSCControl		SSC base address +#0C	Read/Write
Bit	Bit field	Function	
3:0	DataWidth	SSC Data width selection DataWidth3:0 Data width 0000 Reserved. Do not use this combination. 0001 2 bits 0010 3 bits ... 1111 16 bits	
4	HeadControl	SSC Heading control bit For I ² C operation, software <i>must</i> write a 1; the effect of writing 0 is undefined. The most significant bit (MSB) of the selected data width is shifted out first.	
5	ClkPhase	SSC Clock phase control bit For I ² C operation, software <i>must</i> write a 1; the effect of writing 0 is undefined	
6	ClkPolarity	SSC Clock polarity control bit For I ² C operation, software <i>must</i> write a 0; the effect of writing 1 is undefined	
8	MasterSel	SSC Master select bit For I ² C operation, software <i>must</i> write a 1; the effect of writing 0 is undefined	
9	Enable	SSC Enable bit 0 Transmission and reception disabled 1 Transmission and reception enabled	
10	LoopBack	SSC Loopback bit 0 transmitter is connected to shift register input 1 shift register output is connected to shift register input	
7, 15:11		RESERVED. Write 0, read back 0.	

Table 15.1 **SSCControl** register format

15.1.1 Synchronous serial channel operation

The shift register of the SSC is connected to both the transmit pin and the receive pin via the pin control logic (see block diagram Figure 15.3). Transmission and reception of serial data is synchronized and takes place at the same time, i.e. the same number of transmitted bits is also received. Transmit data is written into the Transmit Buffer (**SSCTxBuffer**) register. It is moved to the shift register as soon as this is empty. The SSC immediately begins transmitting. When the data has transferred to the shift register, the transmit buffer empty (**TxBufEmpty**) flag will be set to indicate that the transmit buffer (**SSCTxBuffer**) may be reloaded again. When the programmed number of bits (2 to 16) has been transferred, the contents of the shift register are moved to the Receive Buffer (**SSCRxBuffer**) register and the receive buffer full (**RxBufFull**) flag will be set. If no further transfer is to take place, i.e. the transmit buffer is empty, the SSC will revert back to an idle state waiting for a load of the transmit register.

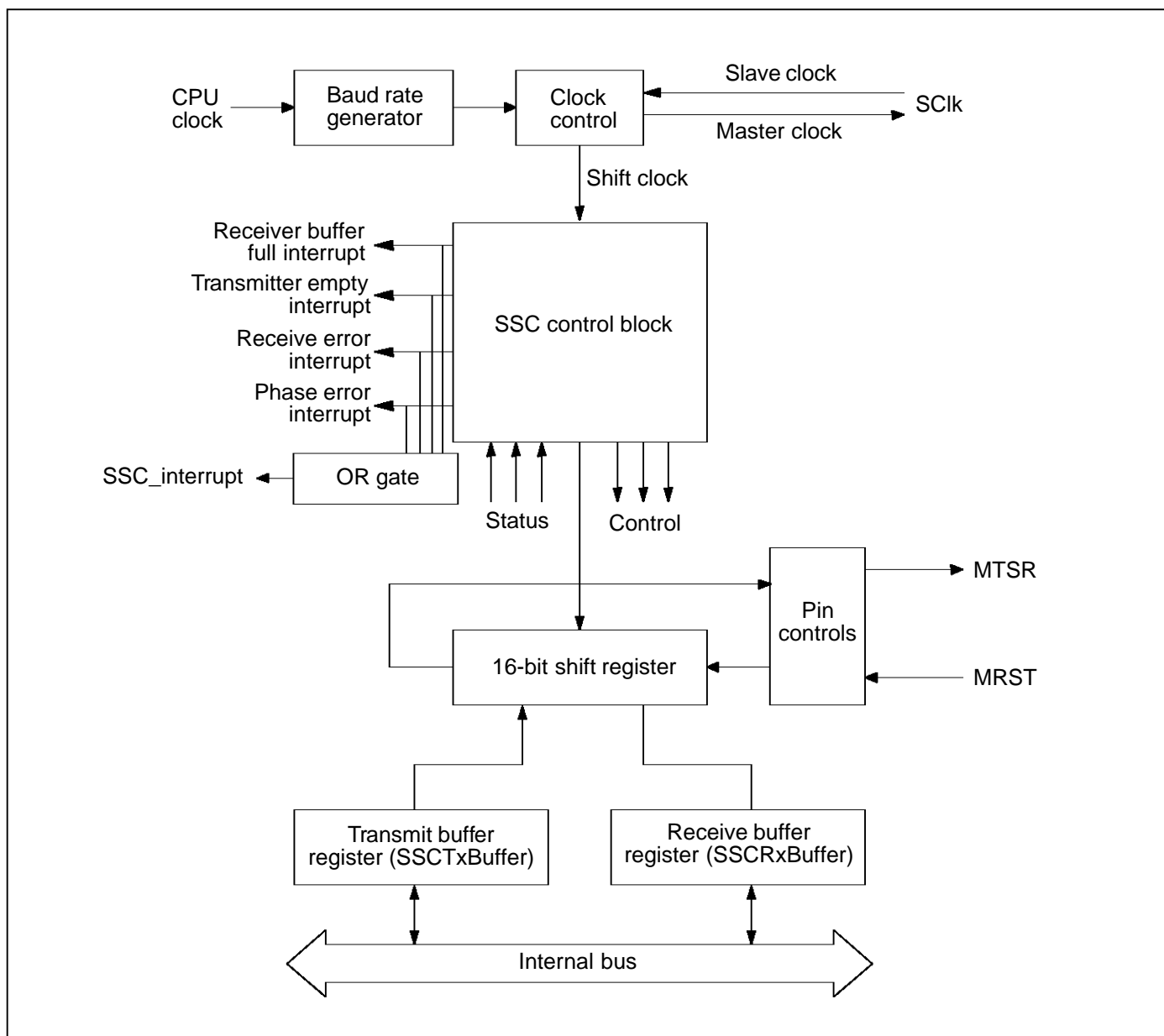


Figure 15.3 Synchronous serial channel SSC block diagram

Note that only one SSC can be master at a given time.

The transfer of serial data bits can be programmed as follows:

- the data width can be 2 to 16 bits
- the baud rate can be set over a wide range

The data width selection (**DataWidth**) bit allows data widths of 2 to 16 bits to be transferred.

The unused bits of **SSCTxBuffer** are ignored, the unused bits of **SSCRxBuffer** are not valid and should be ignored by the receiver service routine.

Transmit and receive buffer registers

SSCTxBuffer		SSC base address + #04	Write only
Bit	Bit field	Function	
15:0	TD15:0	Transmit buffer data D15:0	

Table 15.2 SSCTxBuffer register format

SSCRxBuffer		SSC base address + #08	Read only
Bit	Bit field	Function	
15:0	RD15:0	Receive buffer data D15:0	

Table 15.3 SSCRxBuffer register format

Clock control

If the **ClkPhase** and **ClkPolarity** bits in the **SSCControl** register are programmed, as defined by Table 15.1 on page 108, then the clock and data relationship will be I²C compatible. The data is stable during the high level of the clock and I²C setup and hold times are met.

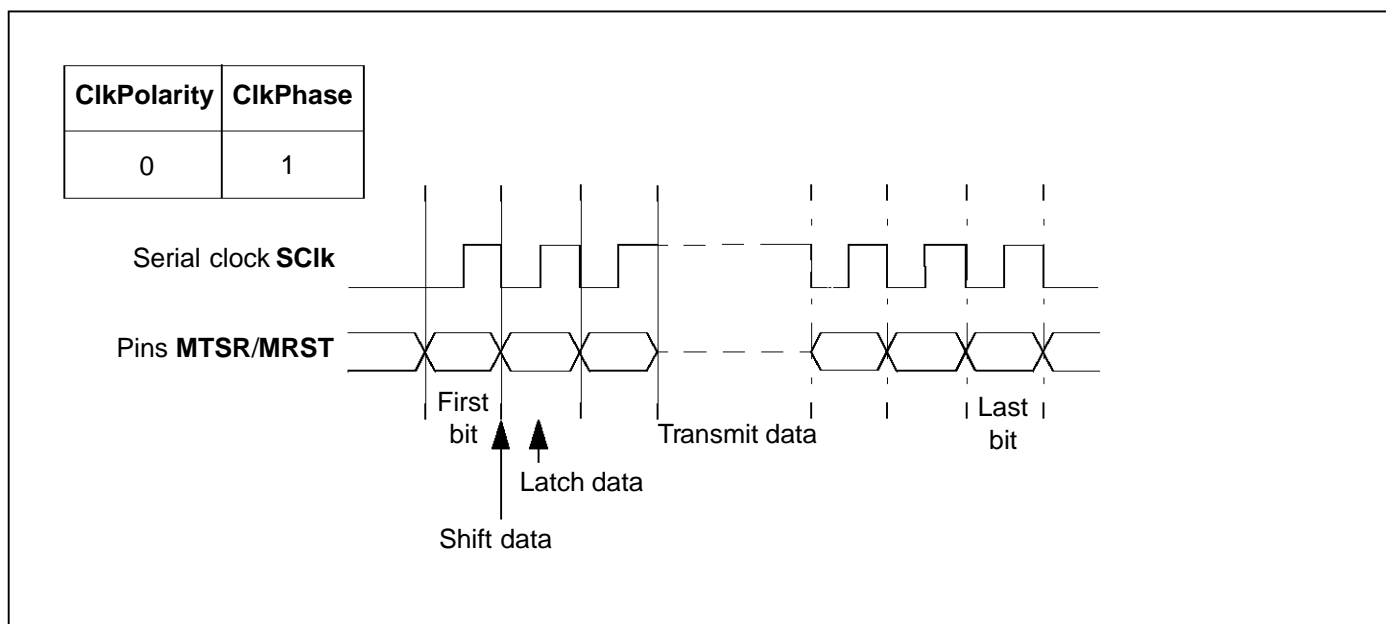


Figure 15.4 Clock and data relationships

15.1.2 Half-duplex operation

In a half duplex configuration only one data line is necessary for both receiving *and* transmitting of data. The data exchange line is connected to both pins **MTSR** and **MRST** of each device, the clock line is connected to the **SCiK** pin.

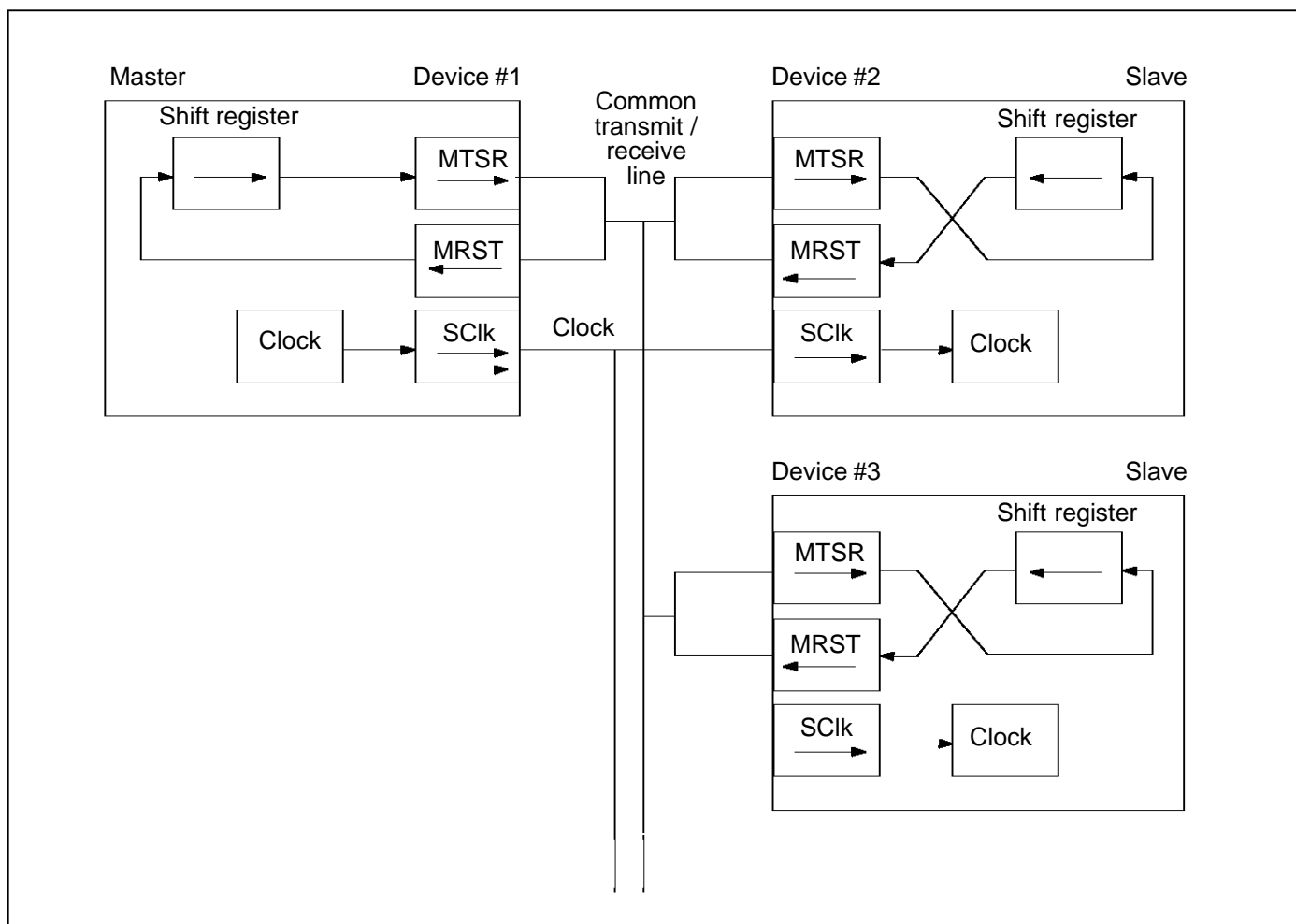


Figure 15.5 Half-duplex configuration

The master device controls the data transfer by generating the shift clock, while the slave devices receive it. Due to the fact that all transmit and receive pins are connected to the one data exchange line, serial data may be moved between arbitrary stations.

Similar to full duplex mode there are *two ways to avoid collisions* on the data exchange line:

- only the transmitting device may enable its transmit pin driver
- the non-transmitting devices use open drain output and only send ones.

Since the data inputs and outputs are connected together, a transmitting device will clock its own data at the input pin (**MRST** for a master device). This allows any corruptions on the common data exchange line, where the received data is not equal to the transmitted data, to be detected.

Continuous transfers

When the **TxBufEmpty** bit is 1, it indicates that the transmit buffer **SSCTxBuffer** is empty and ready to be loaded with the next transmit data. If **SSCTxBuffer** has been reloaded by the time the current transmission is finished, the data is immediately transferred to the shift register and the next transmission will start without any additional delay. On the data line there is no gap between the two successive frames. For example, two byte transfers would look the same as one word transfer. This feature can be used to interface with devices which can operate with or require more than 16

data bits per transfer. Software determines how long a total data frame length can be. This option can also be used to interface to byte-wide and word-wide devices on the same serial bus.

Note: This can only happen in multiples of the selected basic data width, since it would require disabling/enabling of the SSC to reprogram the basic data width on-the-fly.

15.1.3 Baud rate generation

The SSC has its own dedicated 16-bit baud rate generator with 16-bit reload capability. The resultant baud rate for transmission and reception is *half* the value in the **SSCBaudRate** register.

15.1.4 Baud rate generator register

SSCBaudRate		ASC base address + #00		Read/Write
Bit	Bit field	Write Function	Read Function	
15:0	ReloadVal	16-bit reload value	16-bit count value	

Table 15.4 **SSCBaudRate** register format

Baud rates

The formulae below calculate either the resulting baud rate for a given reload value, or the required reload value for a given baud rate:

$$\text{Baudrate} = \frac{f_{\text{CPU}}}{2 \times \langle \text{SSCBaudRate} \rangle} \qquad \langle \text{SSCBaudRate} \rangle = \left(\frac{f_{\text{CPU}}}{2 \times \text{Baudrate}} \right)$$

Where, $\langle \text{SSCBaudRate} \rangle$ represents the content of the reload register, as an unsigned 16-bit integer and f_{CPU} represents the CPU clock frequency.

The maximum baud rate that can be achieved when using a CPU clock of 40 MHz is 5 MBaud. Table 15.5 below lists some possible baud rates together with the required reload values and the resulting bit times, assuming a CPU clock of 40 MHz.

Baud rate	Bit time	Reload value
Reserved. Use a reload value > 0.	-	#0000
5 MBaud	200 ns	#0004
3.3 MBaud	300 ns	#0006
2.5 MBaud	400 ns	#0008
2.0 MBaud	500 ns	#000A
1.0 MBaud	1 μ s	#0014
100 KBaud	10 μ s	#00C8
10 KBaud	100 μ s	#07D0
1.0 KBaud	1 ms	#4E20

Table 15.5 Baud rates and bit times for different **SSCBaudRate** reload values

Note: The content of **SSCBaudRate** must be greater than 0.

15.1.5 Hardware error detection capabilities

The SSC is able to detect two different error conditions.

- *Receive Error*
- *Phase Error*

When an error is detected, the respective error flag is set in the **SCCStatus** register. The error interrupt handler may then check the error flags to determine the cause of the error interrupt.

A *Receive Error* is detected, when a new data frame is completely received, but the previous data was not read out of the receive buffer register **SSCRxBuffer**. This condition sets the error (**RxEr-ror**) flag and, when enabled via **RxErrorIE**, the error interrupt request flag (**ErrorInterrupt**). The old data in the receive buffer **SSCRxBuffer** will be overwritten with the new value and is irretrievably lost.

A *Phase Error* is detected, when the incoming data on the **MRST** pin, sampled at the same frequency as the CPU clock, changes between one sample before and two samples after the latching edge of the clock signal (see “Clock control” on page 110). This condition sets the error flag **PhaseError** and, when enabled via **PhaseErrorIE**, the error interrupt request flag (**ErrorInterrupt**).

15.1.6 Interrupt control

The SSC contains two registers that are used to control interrupts, a status (**SCCStatus**) register and an interrupt enable (**SSCIntEnable**) register. The status bits in the **SCCStatus** register determine the cause of the interrupt. Interrupts will occur when a status bit is 1 (high) and the corresponding bit in the **SSCIntEnable** register is 1.

The error interrupt signal (**ErrorInterrupt**) is generated by the SSC from the OR of the receive error and phase error status bits after they have been ANDed with the corresponding enable bits in the **SSCIntEnable** register.

An overall interrupt request signal (**SSC_interrupt**) is generated from the OR of the receive interrupt request (**RxBufFull**), transmit interrupt request (**TxBufEmpty**) and error interrupt request (**ErrorInterrupt**) signals.

Note the status register *cannot* be written to directly by software. The set and reset mechanism for the status register is described below.

The receiver interrupt status bit (**RxBufFull**) is set when a character is loaded from the shift register into the receive buffer (**SSCRxBuffer**). The **RxBufFull** bit is reset when a character is read from the receive buffer (**SSCRxBuffer**).

The transmitter interrupt status bit (**TxBufEmpty**) is set when a character is loaded from the transmitter buffer (**SSCTxBuffer**) into the shift register. The **TxBufEmpty** bit is reset when a character is written into the transmitter buffer (**SSCTxBuffer**).

The status bits (**RxError**, **PhaseError**) are reset when a character is read from the receive buffer (**SSCRxBuffer**).

SSCStatus		SSC base address + #14	Read Only
Bit	Bit field	Function	
0	RxBufFull	Receiver Buffer Full Flag 1 receiver buffer full	
1	TxBufEmpty	Transmitter Buffer Empty Flag 1 transmitter buffer empty	
3	RxError	Receive Error Flag 1 receive error set	
4	PhaseError	Phase Error Flag 1 phase error set	
2, 7:5		RESERVED. Will read back 0.	

Table 15.6 **SSCStatus** register format

SSCIntEnable		SSC base address + #10	Read/Write
Bit	Bit field	Function	
0	RxBufFullIE	Receiver Buffer Full Interrupt Enable 1 receiver buffer full interrupt enable	
1	TxBufEmptyIE	Transmitter Buffer Empty Interrupt Enable 1 transmitter buffer empty interrupt enable	
3	RxErrorIE	Receive Error Interrupt Enable 1 receive error interrupt enable	
4	PhaseErrorIE	Phase Error Interrupt Enable 1 phase error interrupt enable	
2, 7:5		RESERVED. Write 0, will read back 0.	

Table 15.7 **SSCIntEnable** register format

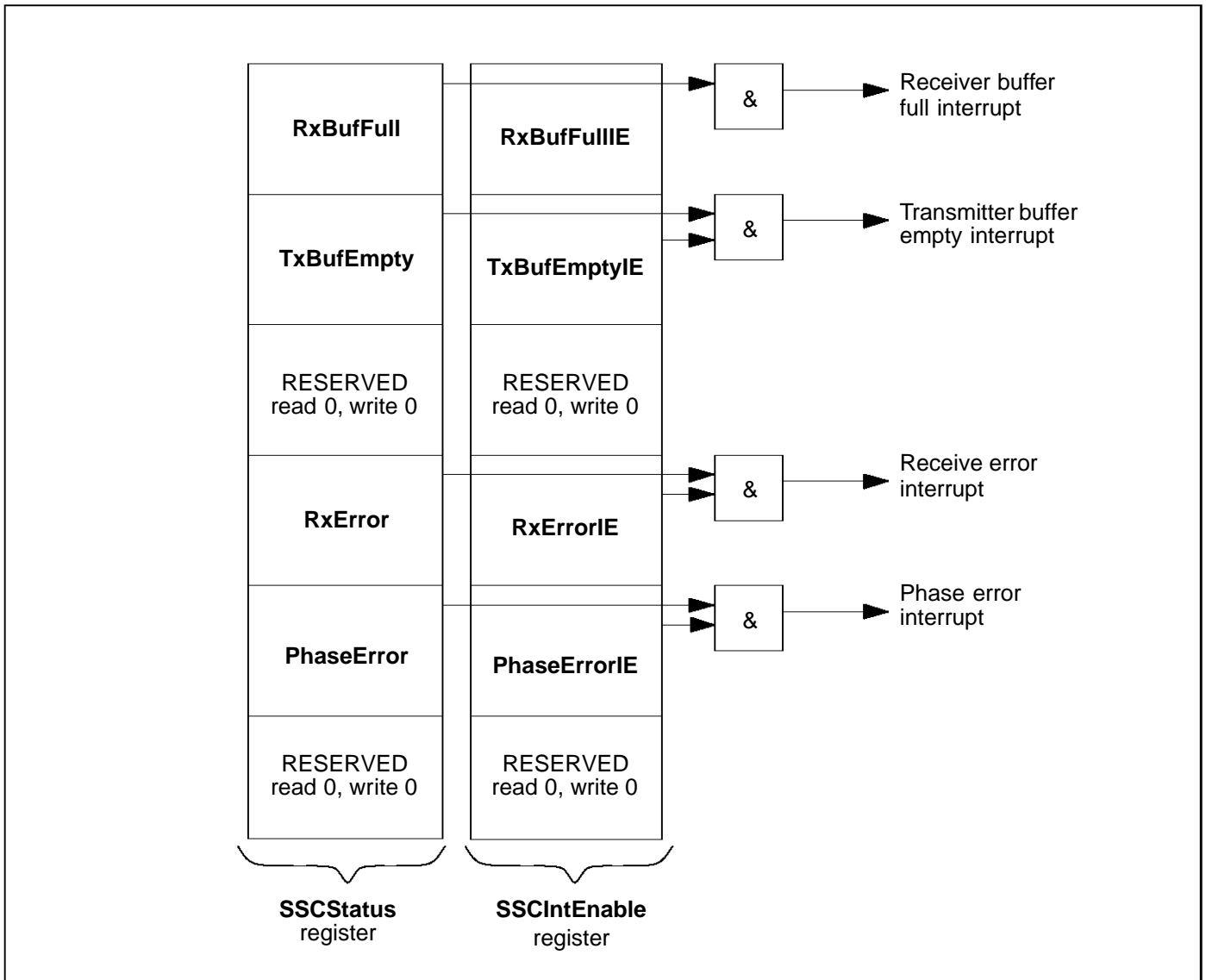


Figure 15.6 SSC status and interrupt registers

Using the SSC interrupts

An interrupt handler for the SSC needs to read the **SSCStatus** register before writing the **SCCTx-Buffer** or reading the **SCCRxBuffer** as there might have been an error. The error flags will be cleared by these read or write operations, see sections above on error detection and interrupts.

16 PWM and counter module

This module includes two separate 8-bit counters used for pulse width modulation (PWM) and two 32-bit counters with capture registers. The counters can be clocked from a pre-scaled internal clock or from a pre-scaled external clock via the **CaptureClk** input and the event on which the timer value is captured is also programmable.

The PWM and counter module generates a single interrupt signal, the exact event causing the interrupt can be determined from the **CaptureStatus** register. The interrupts are cleared by writing a 1 to the corresponding bits in the **CaptureAck** register.

16.1 External interface

Pin	In/Out	Function
PWMOut0-1 (PIO1[3-4])	out	PWM outputs
CaptureIn0-1 (PIO3[3-4])	in	Capture trigger inputs
CaptureClk0-1 (PIO3[5-6])	in	External capture counter clocks

Table 16.1 PWM and counter pins

16.2 PWM and counter control registers

The PWM and counter module is programmable via control registers.

The base address for the PWM control registers are given in the Memory map.

PWMVal0-1 registers

The **PWMVal0-1** registers contain the counter value for each of the 8-bit PWM counters.

PWMVal0-1		PWM base address + #00 to #04	Read/Write
Bit	Bit field	Function	
7:0	PWMVal	8-bit PWM counter value, see Figure 16.1.	

Table 16.2 **PWMVal0-1** registers format

This value is used to determine the width of the pulse generated on the **PWMOut** pin, see Figure 16.1.

$$\text{PWMOut pulse width} = (\text{PWMVal} + 1) \times \text{prescaled clock period}$$

If **PWMVal** = 0, **PWMOut** pulse width = 1 prescaled clock cycle.

If **PWMVal** = 255, **PWMOut** pulse width = 256 prescaled clock cycles, i.e. **PWMOut** does not go low.

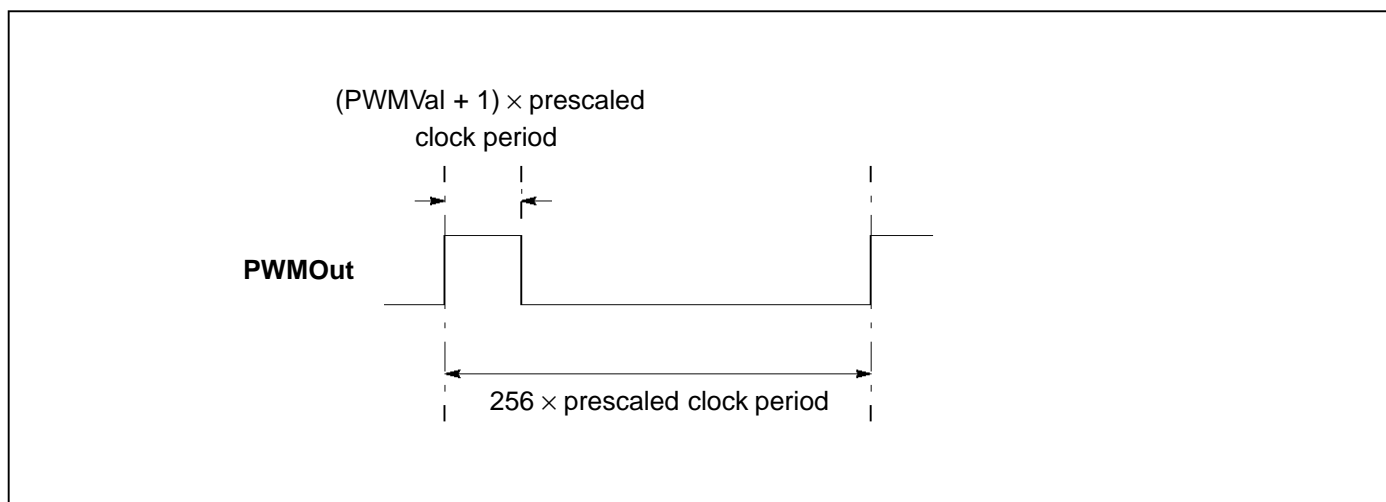


Figure 16.1 PWM counter value

The clock used in this module, either **ClockIn** or **CaptureClk**, is selected by the **PWMCikSource** bit of the **CaptureControl** register. This clock can be further prescaled by programming the **PWMCikVal** bit field. The prescaler divides the selected clock by **PWMCikVal+1**.

The PWM counter is enabled by setting the **PWMEable** bit of the **CaptureControl** register. When it is disabled (**PWMEable** is 0), **PWMOut** is forced low.

When the PWM counter overflows an interrupt is generated if the **PWMIInterrupt** bit is set.

CaptureVal0-1 registers

The **CaptureVal0-1** registers contain the captured value of each of the 32-bit capture counters.

CaptureVal0-1		PWM base address + #08 to #0C	Read only
Bit	Bit field	Function	
31:0	CaptureVal	32-bit capture counter value	

Table 16.3 CaptureVal0-1 registers format

The clock used in this module, either **ClockIn** or **CaptureClk**, is selected by the **CaptureClkSource** bit of the **CaptureControl** register. This clock can be further prescaled by programming the **CaptureClkVal** bit field. The prescaler divides the selected clock by **CaptureClkVal + 1**.

The event which causes the capture of the counter value is selected by the **CaptureEvent** bit to be either **CaptureIn** or **LPacketClk**. It can be set to capture on a rising or falling edge determined by the setting of the **CaptureEdge** bit.

An interrupt is generated when a capture event occurs if the **CaptureInterrupt** bit is set.

The counter is enabled by setting the **CaptureEnable** bit. Any capture events which occur when the counter is disabled will be ignored, with neither the counter value being captured nor an interrupt being generated.

CaptureControl register

The **CaptureControl** register is used to set the pre-scalers and clock sources for the PWM and capture counters, to control the interrupts, and to configure the capture signal source for the capture registers.

CaptureControl		PWM base address + #10	Read/Write
Bit	Bit field	Function	
0	PWM0Interrupt	PWM0 interrupt enable 1 interrupt on 8-bit counter overflow	
1	PWM1Interrupt	PWM1 interrupt enable 1 interrupt on 8-bit counter overflow	
2	Capture0Interrupt	Capture0 interrupt enable 1 interrupt on capture event	
3	Capture1Interrupt	Capture1 interrupt enable 1 interrupt on capture event	
4	PWM0ClkSource	PWM0 clock source 0 ClockIn 1 CaptureClk0	
8:5	PWM0ClkVal	PWM0 clock prescale value. The selected clock (ClockIn or CaptureClk0) is divided by PWM0ClkVal + 1 , for example: PWM0ClkVal8:5 Prescale value 0000 divide selected clock by 1 0100 divide selected clock by 5	
9	PWM1ClkSource	PWM1 clock source 0 ClockIn 1 CaptureClk1	
13:10	PWM1ClkVal	PWM1 clock prescale value. The selected clock is divided by PWM1ClkVal + 1 .	
14	Capture0ClkSource	Capture0 clock source 0 ClockIn 1 CaptureClk0	
18:15	Capture0ClkVal	Capture0 clock prescale value. The selected clock is divided by Capture0ClkVal+1 .	
19	Capture0Event	Capture0 capture event source 0 CaptureIn0 1 LPacketClk	
20	Capture0Edge	Capture0 capture edge 0 rising edge 1 falling edge	
21	Capture1ClkSource	Capture1 clock source 0 ClockIn 1 CaptureClock1	

Table 16.4 **CaptureControl** register format

CaptureControl		PWM base address + #10	Read/Write
Bit	Bit field	Function	
25:22	Capture1ClkVal	Capture1 clock prescale value. The selected clock is divided by Capture1ClkVal+1 .	
26	Capture1Event	Capture1 capture event source 0 CaptureIn1 1 LPacketClk	
27	Capture1Edge	Capture1 capture edge 0 rising edge 1 falling edge	
28	PWM0Enable	PWM0 enable 1 enables PWM0	
29	PWM1Enable	PWM1 enable 1 enables PWM1	
30	Capture0Enable	Capture0 enable 1 enables Capture0	
31	Capture1Enable	Capture1 enable 1 enables Capture1	

Table 16.4 **CaptureControl** register format**CaptureStatus register**

This register is read only and determines the event which caused the interrupt.

An overall interrupt signal is generated from the OR of these 4 interrupts.

CaptureStatus		PWM base address + #14	Read only
Bit	Bit field	Function	
0	PWM0Int	PWM0 interrupt 1 interrupt	
1	PWM1Int	PWM1 interrupt 1 interrupt	
2	Capture0Int	Capture0 interrupt 1 interrupt	
3	Capture1Int	Capture1 interrupt 1 interrupt	
7:4		RESERVED. Will read back 0.	

Table 16.5 **CaptureStatus** register format

CaptureAck register

This register is write only. When a bit is set to 1 it clears the associated interrupt.

CaptureAck		PWM base address + #18	Write only
Bit	Bit field	Function	
0	PWM0IntAck	PWM0 interrupt acknowledge. 1 clears interrupt	
1	PWM1IntAck	PWM1 interrupt acknowledge. 1 clears interrupt	
2	Capture0IntAck	Capture0 interrupt acknowledge. 1 clears interrupt	
3	Capture1IntAck	Capture1 interrupt acknowledge. 1 clears interrupt	
7:4		RESERVED. Write 0.	

Table 16.6 **CaptureAck** register format

17 Parallel input/output

The ST20-TP2 device has 39 bits of Parallel Input/Output (PIO), configured in groups (ports) of eight bits. Each bit is programmable as an output, an input, a bidirectional pin, or as an alternate function output pin. The alternate function connects signals from device peripherals to the pins of the device through the PIO. Details of the alternate function assignments can be found in the Device Configuration chapter.

Each group of eight input bits can also be compared against a register and an interrupt generated when the value is not equal.

Output drivers for the PIO pins, both in PIO mode and the alternate function mode, can be programmed to be push-pull, open drain, or weak pull-up. The weak pull-up configuration avoids the need for pull-up resistors on unused pins while still allowing them to be driven for test purposes.

Each of the groups of eight bits operates as described in the following section.

17.1 PIO Ports0-4

Each of the eight bits of a PIO port has a corresponding bit in the PIO registers associated with each port. These registers hold: output data for the port (**POut**); the input data read from the pin (**PIn**); PIO bit configuration registers (**PC0**, **PC1** and **PC2**); and the two input compare function registers (**PComp** and **PMask**).

All of the registers, except the **PIn** registers, are each mapped onto two additional addresses so that bits can be set or cleared individually.

The **Set_** register allows bits to be set individually. Writing a '1' in this register sets the corresponding bit in the associated register, a '0' leaves the bit unchanged.

The **Clear_** register allows bits to be cleared individually. Writing a '1' in this register resets the corresponding bit in the associated register, a '0' leaves the bit unchanged.

17.1.1 PIO Data registers

The base addresses for the **PIOx** registers are given in the memory map.

Note that during reset all the registers are reset to '00000000'.

POut register

This register holds output data for the port.

POut		PIO base address + #00	Read/Write
Bit	Bit field	Function	
7:0	POut7:0	Bits 0 to 7 of output data for the port.	

Table 17.1 **POut** register format - 1 register per port

PIIn register

The data read from this register will give the logic level present on an input pin of the port at the start of the read cycle to this register. The read data will be the last value written to the register regardless of the pin configuration selected.

PIIn		PIO base address + #10	Read only
Bit	Bit field	Function	
7:0	PIIn7:0	Bits 0 to 7 of input data for the port.	

Table 17.2 PIIn register format - 1 register per port

17.1.2 PIO Configuration registers

There are three configuration registers (**PC0**, **PC1** and **PC2**) which are used to configure each of the PIO port bits as an input, output, bidirectional, or alternate function pin (if any), with options for the output driver configuration.

PC0-2		PIO base address + #20 to #40	Read/Write
Bit	Bit field	Function	
7:0	ConfigData7:0	PIO Configuration data bits 0 to 7.	

Table 17.3 PC0-2 registers format - 3 registers per port

The selections made by the bits in these registers for each I/O bit are given in Table 17.4 below.

PIO bit configuration	PIO bit output	PC2	PC1	PC0
Bidirectional	Weak pull-up	0	0	0
Bidirectional	Open drain	0	0	1
Output	Push-pull	0	1	0
Bidirectional	Open drain	0	1	1
Input	Hi-Z	1	0	0
Input	Hi-Z	1	0	1
Alternate function output	Push-pull	1	1	0
Alternate function bidirectional	Open drain	1	1	1

Table 17.4 PIO port bits configurations

17.1.3 PIO Input compare and Compare mask registers

The Input compare register (**PComp**) holds the value to which the input data from the PIO ports pins will be compared. If any of the input bits are different from the corresponding bits in the **PComp** register and the corresponding bit position in the PIO Compare mask register (**PMask**) is set to 1, then the internal interrupt signal for the port will be set to 1.

The compare function is sensitive to changes in levels on the pins and so the change in state on the input pin must be greater in duration than the interrupt response time for the compare to be seen as a valid interrupt by an interrupt service routine.

Note that the compare function is operational in all configurations for a PIO bit including the alternate function modes.

PComp		PIO base address + #50	Read/Write
Bit	Bit field	Function	
7:0	PComp7:0	Bit 0 to 7 value to which the input data from the PIO port pins will be compared.	

Table 17.5 **PComp** register format - 1 register per port

PMask		PIO base address + #60	Read/Write
Bit	Bit field	Function	
7:0	PMask7:0	When set to 1, the compare function for the internal interrupt for the port is enabled. If the respective bit (0 to 7) of the input is different to the respective PComp7:0 bit in the PComp register, then an interrupt is generated.	

Table 17.6 **PMask** register format

18 Serial link interface (OS-Link)

The ST20-TP2 has an OS-Link based serial communications subsystem. The OS-Link is used to provide serial data transfer and its main function is for booting the device during software development.

The OS-Link is a serial communications engine consisting of two signal wires, one in each direction. OS-Links use an asynchronous bit-serial (byte-stream) protocol, each bit received is sampled five times, hence the term *oversampled links* (OS-Links). The OS-Link provides a pair of channels, one input and one output channel.

The OS-Link is used for the following purposes:

- Bootstrapping - the program which is executed at power up or after reset can reside in ROM in the address space, or can be loaded via the OS-Link directly into memory.
- Diagnostics - diagnostic and debug software can be downloaded over the link connected to a PC or other diagnostic equipment, and the system performance and functionality can be monitored.
- Communicating with OS-Link peripherals or other ST20 devices.

18.1 OS-Link protocol

The quiescent state of a link output is low. Each data byte is transmitted as a high start bit followed by a one bit followed by eight data bits followed by a low stop bit (see Figure 18.1). The least significant bit of data is transmitted first. After transmitting a data byte the sender waits for the acknowledge, which consists of a high start bit followed by a zero bit. The acknowledge signifies both that a process was able to receive the acknowledged data byte and that the receiving link is able to receive another byte. The sending link reschedules the sending process only after the acknowledge for the final byte of the message has been received. The link allows an acknowledge to be sent before the data has been fully received.

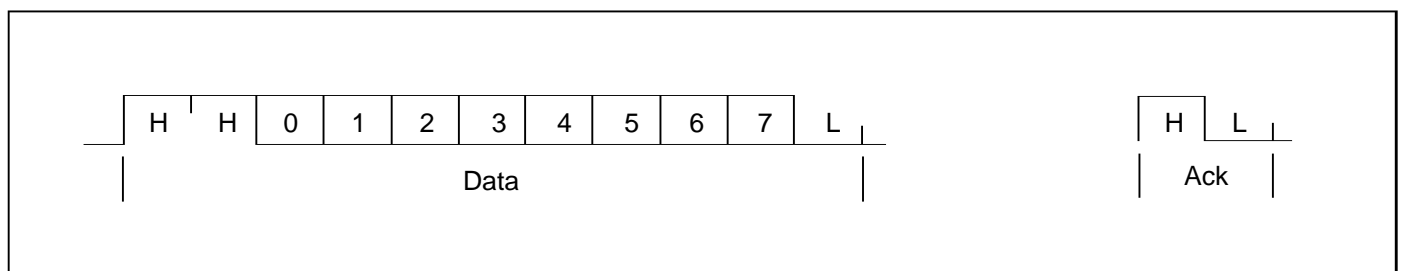


Figure 18.1 OS-Link data and acknowledge formats

18.2 OS-Link speed

The OS-Link data rate is 19.641698 Mbits/s, but will operate correctly when connected to 20 Mbits/s OS-Links.

18.3 OS-Link connections

Links are TTL compatible and intended to be used in electrically quiet environments, between devices on a single printed circuit board or between two boards via a backplane. Direct connection may be made between devices separated by a distance of less than 300 mm. For longer distances a matched 100 ohm transmission line should be used with series matching resistors (RM), see Figure 18.3. When this is done the line delay is less than 0.4 bit time to ensure that the reflection returns before the next data bit is sent. Buffers may be used for very long transmissions, see Figure 18.4. If so, their overall propagation delay should be stable within the skew tolerance of the link, although the absolute value of the delay is immaterial.

For development support using the standard SGS-THOMSON interfaces the OS-Link should be series terminated as in Figure 18.3.

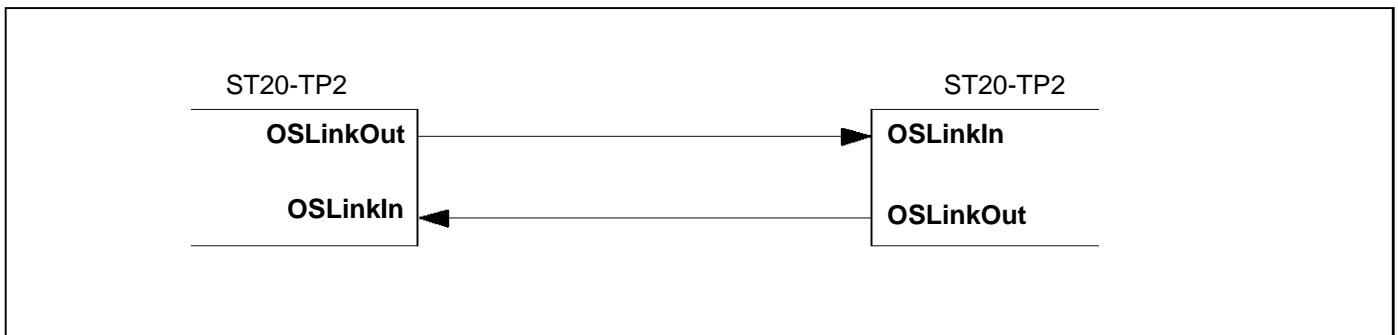


Figure 18.2 OS-Links directly connected

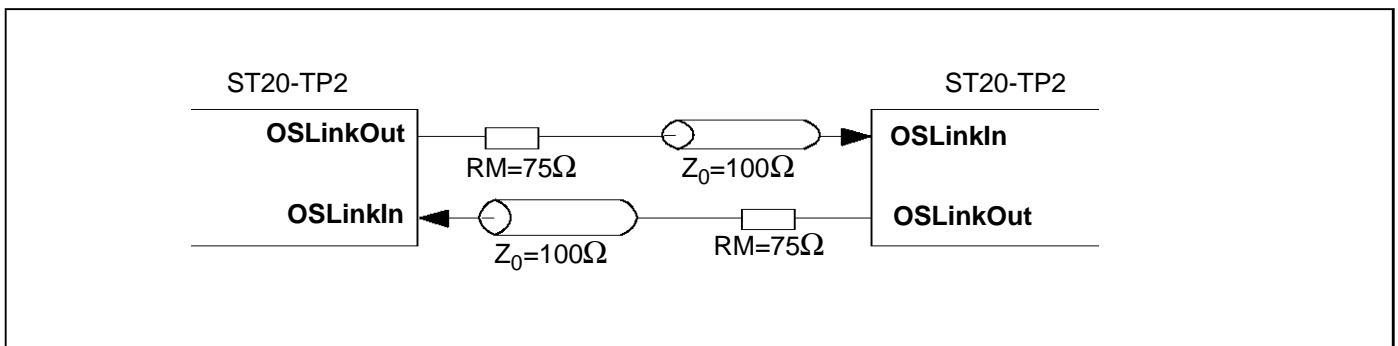


Figure 18.3 OS-Links connected by transmission line

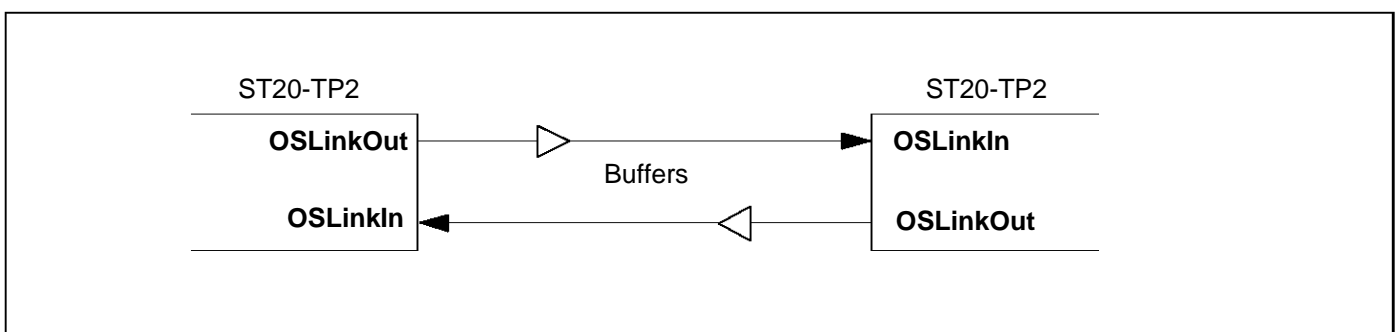


Figure 18.4 OS-Links connected by buffers

19 Link IC interface

The Link-IC interface provides a byte wide data input from the Link-IC. It writes packets to memory from the MPEG stream arriving on the Link-IC input pins. The interface between the CPU and this module is provided using a channel interface as described in Appendix A. The base address for the input buffer in the CPU memory space, and the packet size to transfer, are set by the *in* (input) instruction from the CPU to the Link-IC interface channel. For channel mapping refer to the memory map.

19.1 External interface

Pin	In/Out	Function
LByteClk	in	Link IC byte clock
LByteClkValid	in	Link IC byte clock valid
LData0-7	in	Data input from Link-IC
LError	in	Link IC packet error
LPacketClk	in	Link IC packet clock

Table 19.1 Link IC interface pins

19.2 Link IC interface operation

The MPEG stream is a series of packets of fixed length arriving at fixed intervals. The packets are 188 bytes long and may also contain 16 null bytes which may be anywhere in the packet including at the beginning or at the end of the packet and may or may not be in a group. A null byte is indicated by **LByteClkValid** being low at the rising edge of **LByteClk**.

Buffering is provided so that 80 bytes of a packet can arrive before a transfer is initiated and the packet successfully written to memory.

When a transfer is initiated, the Link-IC interface waits until it detects the beginning of a packet and then transfers all the bytes of the packet to the memory buffer specified. If the start of a new packet is detected before all the bytes of an incident packet are received, the Link-IC will start again with the new packet and the same memory buffer and will not signal completion of the transfer until a whole packet has been received.

All of the signals on the Link-IC external interface are assumed to be synchronous to, and are sampled on, the positive rising edge of the **LByteClk** signal. Data and control signals are clocked into the input FIFO on each rising edge of **LByteClk** if the **LByteClkValid** signal is high. When the FIFO is full, input data is discarded. **LByteClkValid** is a masking signal and if low on the rising edge of **LByteClk**, nothing is clocked in.

When the software executes an input from the Link-IC module the interface removes data from the input FIFO until a low to high transition of the **LPacketClk** signal is seen. This data byte and all following bytes for which the **LByteClkValid** signal is high are transferred to the memory write FIFO until the programmed packet size has been input. Data is written into memory by the Link-IC interface module as 32-bit words whenever the FIFO level exceeds 4 bytes.

When the programmed number of bytes have been input the remaining data in the FIFO is written to memory as 32-bit words, where possible, with a part-word write to flush remaining bytes from the FIFO. An acknowledge to the channel input is sent to the CPU when all the received data has been written to memory.

At any time during the reception of a packet, **LError** may be asserted. This indicates that the packet being received is in fact in error and must be discarded. If this happens the Link-IC interface stops writing the current packet to memory and resets itself so that the next packet is written to the same memory buffer. If the **LError** signal is active while **LPacketClk** is inactive then the signal is ignored. If **LError** is active on the low to high transition of **LPacketClk** then the data input is never started and again the module waits for the next packet.

Note to software writers

The Link-IC interface module input FIFO of 80 locations allows a small amount of time for the software to deal with the packet just received and to execute the next input from the Link-IC before data is lost. This allows software to be written which can keep up with the packet rate without data loss.

20 MPEG DMA controllers

Interfacing to the external application ICs such as the MPEG Audio, MPEG Video or a combined chip is provided in two ways.

- Memory mapped - the device is memory mapped into EMI bank2. The **notCS0-1** strobes are used to provide the chip select strobes needed to access the registers of the IC or ICs.
- DMA output - Two MPEG DMA controllers can be used to transfer data from memory to a DMA interface on the MPEG controller in response to a request strobe. The MPEG DMA controller transfers the data to a fixed memory address which is decoded by the EMI and causes an access in bank 2 with one of the **notCDSTRB0-1** strobes active.

Two MPEG DMA controllers (MPEG0-1) are present on the ST20-TP2 which vary only in the fixed address to which data is transferred.

The interface between the CPU and the MPEG DMA controllers is provided using a channel interface, as described in Appendix A, to initiate the DMA transfer. Control registers are provided to allow the characteristics of each to DMA transfer burst in response to a request to be programmed, and the transfer to be suspended. The base address for the output buffer in the memory space and the size of transfer in bytes are set by the *out* (output) instruction from the CPU to the MPEG DMA controller channel. For channel mapping refer to the Memory Map.

20.1 External interface

The MPEG DMA module uses the EMI to decode the write address from the DMA controllers to activate the correct **notCDSTRB** signal during an access. The **notCDREQ0-1** are asynchronous signals from the MPEG decoder which request the next burst of data when active.

Pin	In/Out	Function	Notes
notCDREQ0-1	in	Application IC compressed data request	
notCDSTRB0-1	out	Application IC compressed data strobe	1
notCS0-1	out	Application IC chip select	1

Table 20.1 MPEG DMA pins

Notes

- 1 These signals are common to the EMI and the MPEG DMA interface.

20.2 MPEG DMA transfers

To perform a DMA transfer to an MPEG decoder DMA data port connected to the EMI the MPEG DMA controller must first be initialized and then an output to the MPEG DMA channel be executed by the CPU.

The control registers are shown in section 20.3.

The **MPEGBurstSize** register controls the number of bytes transferred each time the DMA controller samples the **notCDREQ** signal active. This should be programmed with a burst size appropriate for the MPEG decoder DMA port.

After sampling the **notCDREQ** signal active the signal is ignored until the burst size in bytes has been transferred, the last write cycle of the burst has completed, and the hold-off time (in cycles from the last write cycle completion) programmed in the **MPEGHoldoff** register has expired. If the **notCDREQ** signal is active after this time then the DMA controller will transfer another burst of data.

The **MPEGSuspend** register bit must be set to 0 before a transfer is initiated, otherwise the transfer will not start.

Note, the **MPEGBurstSize** and **MPEGHoldoff** registers are not altered by transfer operations and do not have to be set up before each transfer.

The final stage of initializing the DMA transfer is to execute an output to the **MPEGDMA** channel which sets up the source base address and the DMA transfer size. This also deschedules the software until the transfer is complete.

The maximum transfer size is 65535 bytes.

The DMA module will only transfer data when the appropriate **notCDREQ** input is active after the output to the DMA channel. The DMA then transfers the programmed burst size in bytes of data to the location set for the MPEG DMA controller. Note, if there are less than **BurstSize** bytes left to transfer then only these bytes will be transferred. The destination address is *not* incremented.

The MPEG DMA controller fetches words from the source address whenever possible and buffers these to perform word writes to the destination address whenever possible. The EMI will break these word or part word writes into multiple byte writes since the bank width for bank 2 would normally be programmed to be eight bits.

During a transfer, DMA operations can be suspended by setting the **MPEGSuspend** register bit to a 1. Note that although no new write transfers will be started after this bit has been set, software must wait for a time long enough for the current write transfer to finish before assuming that no DMA writes are being performed. This time is TBD. Transfers will start again when the **MPEGSuspend** register bit is set to 0.

When the number of bytes programmed in the *out* instruction have been transferred the channel output is acknowledged to the CPU and the software rescheduled.

The destination address for the data and hence the strobe used as the DMA data strobe are fixed in the two MPEG DMA controllers and are shown in Table 20.2. This table also shows which **notCDREQ** strobe is connected to the MPEG DMA controllers.

MPEG DMA controller	Write address	DMA data strobe	DMA request strobe
0	#00002000	notCDSTRB0	notCDREQ0
1	#00003000	notCDSTRB1	notCDREQ1

Table 20.2 MPEG DMA controllers write addresses and strobes

Timings of the **notCDSTRB0-1** lines are programmable via the EMI configuration. See “Support for MPEG application devices” on page 61.

The base addresses for the MPEG DMA control registers are given in the Memory Map.

20.3 MPEG control registers

MPEGBurstSize register

The **MPEGBurstSize** register is a write only register and controls the number of bytes transferred each time the DMA controller samples the **notCDREQ** signal active.

This should be programmed with a burst size appropriate for the MPEG decoder DMA port.

MPEGBurstSize		MPEGDMA base address + #00	Write only
Bit	Bit field	Function	
4:0	BurstSize4:0	DMA transfer burst size in response to notCDREQ0-1 . BurstSize4:0 Transfer 00000 32 bytes per burst 00001 1 byte per burst 00010 2 bytes per burst 11111 31 bytes per burst	
7:5		RESERVED. Write 0	

Table 20.3 **MPEGBurstSize** register format

MPEGHoldoff register

The **MPEGHoldoff** register is a write only register and must be programmed with the hold-off time from the end of one burst to re-sampling.

MPEGHoldoff		MPEGDMA base address + #04	Write only
Bit	Bit field	Function	
4:0	Holdoff4:0	DMA transfer hold-off time from the end of one burst to re-sampling notCDREQ0-1 . Holdoff4:0 Hold-off time in system clock cycles 00000 0 cycles 00001 1 cycle 00010 2 cycles 11111 31 cycles	
7:5		RESERVED. Write 0	

Table 20.4 **MPEGHoldoff** register format

MPEGSuspend register

The **MPEGSuspend** register is a write only register and determines whether DMA is enabled (normal operation) or suspended.

MPEGSuspend		MPEGDMA base address + #08	Write only
Bit	Bit field	Function	
0	Suspend	Enable DMA operations.	
		0	suspend DMA
		1	enable DMA (normal operation)
7:1		RESERVED. Write 0	

Table 20.5 **MPEGSuspend** register format

21 DVB decryption controller

This chapter describes the Digital Video Broadcasting (DVB) common decryption controller (DVBC).

The DVBC reads packets containing encrypted data from memory, performs a decrypting operation, by means of the DVB common descrambling algorithm, and writes the decrypted data into memory. Therefore there is an input address, an output address and a transfer size that need to be specified. A decryption key must be provided for the decrypting operation.

The interface between the CPU and the DVBC is provided using a channel interface to initiate the DMA transfer. Control registers are provided for the transfer destination address of the data, and the DVB key set up prior to a DMA operation. The base address for the input buffer in the memory space, from which the encrypted source data is taken, and the size of transfer in bytes are set by the *out* (output) instruction from the CPU to the DMA controller channel.

DVBC implements the Digital Video Broadcasting (DVB) common descrambling algorithm. The DVBC decrypts input packets of up to 255 bytes in blocks of 8 bytes. If the packet size, in bytes, is not a multiple of 8-byte blocks, the last block will contain less than 8 bytes and is called the 'residue' which is handled in conformance with the DVB specification.

21.1 Decrypting blocks of data

To perform a DMA transfer through the DVBC, from one memory buffer to another, the DVBC must first be initialized and then an output to the DVBC channel executed by the CPU.

The control registers are shown in section 21.2.

The **DVBCDest** register must be written with the address of the first byte of the destination buffer before each transfer. Then the 64-bit DVB key must be written into the **DVBCKeyLSW** and **DVBCKeyMSW** registers. The **DVBCKey** register is not altered during a transfer and need not be re-written before each transfer unless a new key is to be used.

The final stage of initializing the DVBC DMA transfer is to execute an output to the DVBC DMA channel which sets up the source base address and the DMA transfer size. This also deschedules the software until the transfer is complete.

The maximum transfer size is 255 bytes.

After the *out* instruction has been executed by the CPU the transfer is started. The DVBC DMA controller fetches 64-bit blocks as pairs of words from the source address. It then performs a DVB decryption on blocks of 8 bytes and carries out word writes in pairs to the destination address whenever possible.

When the number of bytes programmed in the *out* instruction have been transferred the channel output is acknowledged to the CPU and the process which initiated the decryption operation is rescheduled.

The base address for the DVBC control registers are given in the ST20-TP2 memory map.

21.2 Control registers

DVBCDest register

This register is write only and determines the DMA transfer destination address of the data block.

DVBCDest		DVBC base address + #00	Write only
Bit	Bit field	Function	
31:0	DMADestination	DMA transfer destination address of block to decrypt	

Table 21.1 Bit fields in the **DVBCDest** register

DVBCKeyLSW register

This register is write only and determines the least significant word (LSW) of the 64-bit decryption key.

DVBCKeyLSW		DVBC base address + #08	Write only
Bit	Bit field	Function	
31:0	KeyLSW	DVBC 64-bit key least significant word.	

Table 21.2 Bit fields in the **DVBCKeyLSW** register

DVBCKeyMSW register

This register is write only and determines the most significant word (MSW) of the 64-bit decryption key.

DVBCKeyMSW		DVBC base address + #0C	Write only
Bit	Bit field	Function	
31:0	KeyMSW	DVBC 64-bit key most significant word. Note, parity bits in bits 0, 8, 16, 24 are ignored	

Table 21.3 Bit fields in the **DVBCKeyMSW** register

22 Block move DMA

This module copies blocks of data from one byte address to another in memory.

A source address, a destination address and a count of the number of bytes to be transferred must be specified. The base address for the output buffer in the memory space, from which the block move source data is taken, and the size of transfer in bytes are set by the *out* (output) instruction from the CPU to the DMA controller channel. For channel mapping see the Memory Map.

The interface between the CPU and the block move module is provided using a channel interface as described in Appendix A to initiate the DMA transfer.

22.1 Moving blocks of data

To perform a DMA block move, from one memory buffer to another, the block move module must first be initialized and then an output to the block move channel executed by the CPU.

The configuration register is shown in section 22.2. The **BMDmaAddress** register must be written with the address of the first byte of the destination buffer before each transfer. Note, this must be done before every transfer because after the transfer the value is left undefined.

The final stage of initializing the block move DMA transfer is to execute an output to the block move DMA channel which sets up the source base address and the DMA transfer size. This also de-schedules the software until the transfer is complete.

The maximum transfer size is 65535 bytes.

After the *out* instruction has been executed by the CPU the transfer is started. The block move DMA controller fetches 64-bit blocks as pairs of words from the source address whenever possible, and buffers the bytes before performing word writes in pairs to the destination address.

When the number of bytes programmed in the *out* instruction have been transferred the channel output is acknowledged to the CPU and the software rescheduled.

22.2 Configuration register

22.2.1 BMDmaAddress register

The **BMDmaAddress** register is a write only register and must be written with the first byte of the destination buffer before each transfer. Note, after the transfer this value is left undefined.

BMDmaAddress		BM base address + #00	Write only
Bit	Bit field	Function	
31:0	DestAddress	Address of block move destination.	

Table 22.1 **BMDmaAddress** register format

23 Teletext interface

The ST20-TP2 has a teletext interface (**TtxtInt**) which interfaces to a teletext peripheral. It translates teletext data to/from memory. It has two modes of operation, which is determined by the setting of the **TtxtMode** register:

- Teletext data out
- Teletext data in

In teletext data out mode, the teletext interface uses DMA to retrieve teletext data from memory, and serializes the data for transmission to a composite video encoder.

In teletext data in mode teletext data is extracted from the composite video signal and is fed into the teletext interface as a serial stream. The teletext interface assembles the data and uses DMA to pass this data to memory.

The interface between the CPU and the teletext interface is not a channel model but is based on an interrupt mechanism.

23.1 Teletext interface pins

Pin	In/Out	Function
TtxtData	in/out	Teletext serial data
TtxtEvennotOdd	in	Teletext even not odd
TtxtRequest	in	Teletext serial data request input. This becomes the hsync signal when the teletext interface is operating in the IN mode.
TtxtClockIn (PIO4[2])	in	Teletext input clock

Table 23.1 Teletext interface pins

23.2 Teletext data out

In this mode, the teletext interface uses DMA to retrieve teletext data from memory, and serializes the data for transmission to a composite video encoder. Clock run-in bits are added to the start of the serial stream, as defined in the ETSI specification¹.

The CPU is responsible for assuring the correct programming of the video encoder. The encoder must be programmed such that it makes requests for teletext lines only on pre-specified lines.

The **TtxtEvennotOdd** input from the encoder is used to interrupt the CPU allowing software control of the teletext out DMA initialization.

The CPU initiates the output of a number of lines of teletext data. These lines are output when suitable requests are made from the video encoder. The teletext interface uses the device protocols to allow control by the CPU.

1. Specification for conveying ITU-R Systems B Teletext in Digital Video Broadcasting (DVB) bitstreams.

23.2.1 Format of the output line

One teletext line is output as a stream of 360 bits, at an average frequency of 6.9375 MHz. The line is composed of two bytes of clock run-in (16 bits), followed by the data extracted from the transport packet. The data field consists of the framing_code, magazine_and_packet_address, and data_block fields. These three fields provide the block of teletext data.

The clock run-in is composed of two bytes of '10101010'. The framing code, which is extracted from the data_field, should be a single byte of '11100100'². Hence one line of teletext output will be composed as in Figure 23.1. The data will be transmitted from least significant bit (LSB) to most significant bit (MSB).

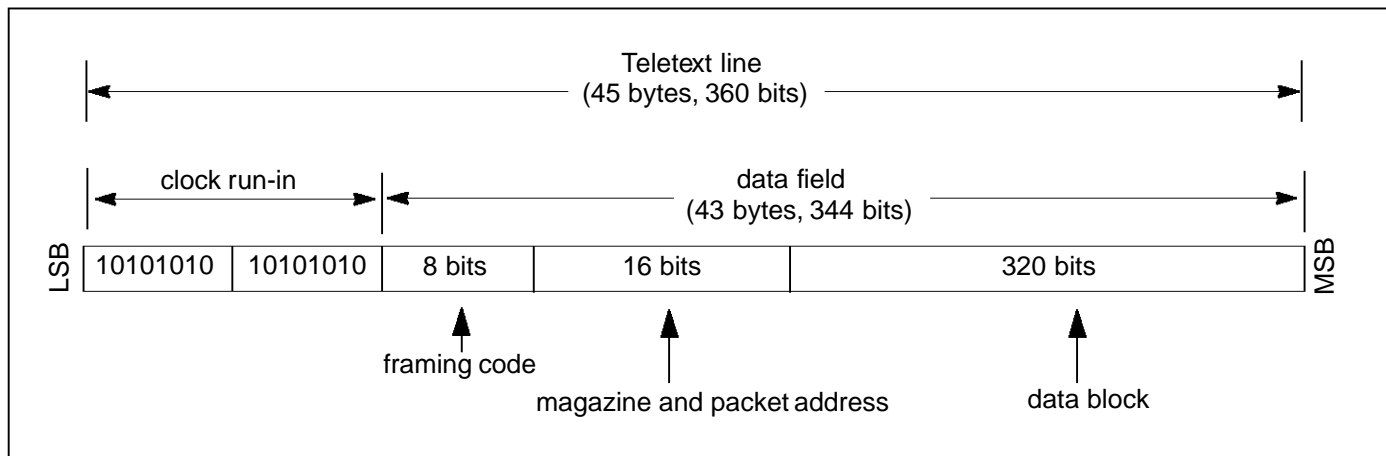


Figure 23.1 Line output

The 360 bits of output data are defined to be nine 37-bit sequences, ending with one 27-bit sequence. Within each sequence, all bits are transmitted using four 27 MHz cycles, except bits 10, 19, 28 and 37, which are transmitted using three 27 MHz cycles, see Figure 23.2.

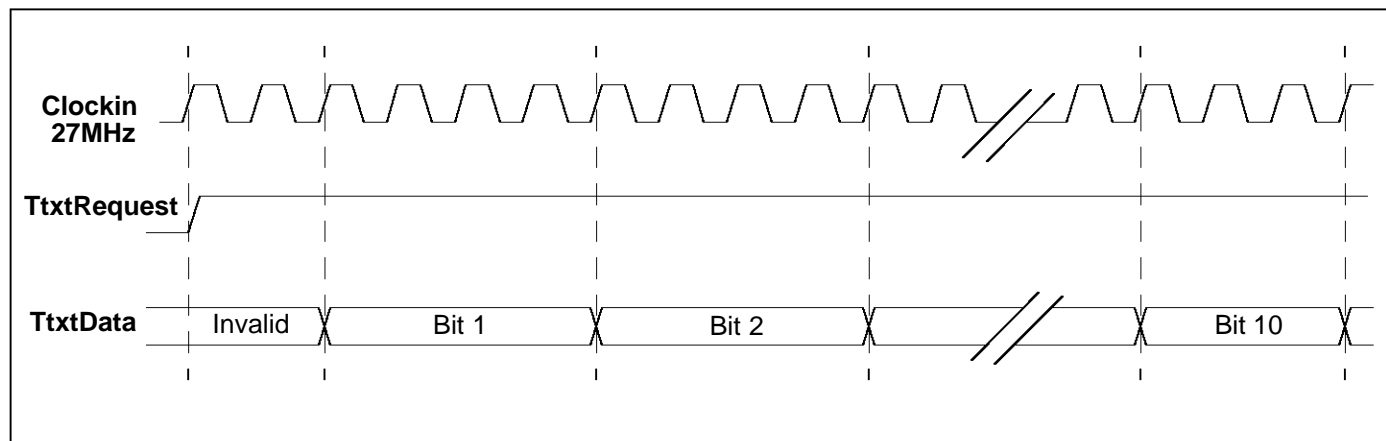


Figure 23.2 Output data

2. Document SPB492, 'Teletext Specification'. European Broadcasting Union, Geneva, December 1992.

23.3 Teletext data in

Teletext data is extracted from the composite video signal. This data is fed into the teletext interface as a serial stream. The teletext interface assembles the data and uses DMA to pass this data to memory.

Horizontal and vertical sync information is extracted from a composite video signal. This defines the field and line positions.

An event on **TtxtEvennotOdd** causes the line counter to reset. Every successive hsync pulse increments this counter. When the current line is equal to that specified in the **TtxtInStartLine** register, the line is input as teletext data. In order to ignore color-burst data etc, both the **TtxtData** input and the **TtxtClock** in signals will be gated off for a number of 27 MHz clock cycles after hsync, where the number of cycles is specified in the **TtxtInCbDelay** register. After the color burst blanking, the data on **TtxtData** will be shifted in on the rising edge of the teletext clock input. A valid teletext line will be determined on the first occurrence of the framing code contained within the shift register. Only at this point will the line be considered valid for writing to memory.

23.4 Teletext interrupt control

The teletext interface can be programmed, via the **TtxtIntEnable** register to interrupt the CPU whenever one of the following occurs:

- a teletext in/out data transfer completes
- the current video frame toggles odd to even or even to odd

The interrupt status contained within the **TtxtIntStatus** register is masked with the **TtxtIntEnable** register. The interrupt bits are reset when the CPU writes to the specific acknowledgement register, or when a DMA operation completes.

23.5 Control registers

The teletext interface is programmable via configuration registers.

TtxtDmaAddress register

The **TtxtDmaAddress** register is a 32-bit read/write register. It specifies the DMA start location of data to/from memory.

TtxtDmaAddress		Ttxt base address + #00	Read/Write
Bit	Bit field	Function	
31:0	DmaAddress	DMA start location of data to/from memory.	

Table 23.2 **TtxtDmaAddress** register format

TtxtDmaCount register

The **TtxtDmaCount** register specifies the number of bytes to be transferred to/from memory during the DMA operation. For teletext out operation, this value must be a multiple (n) of 46 bytes, where n is the number of lines to output. For teletext in operation, the value must be a multiple (n) of 42 bytes, where n is the number of teletext lines to input.

A write to this register also arms the teletext in/out operations.

TtxtDmaCount		Ttxt base address + #04	Read/Write
Bit	Bit field	Function	
10:0	DMACount	Specifies the number of bytes to be transferred during the DMA operation to/from memory and starts the DMA.	

Table 23.3 TtxtDmaCount register format

TtxtOutDelay register

This register is used to program the delay, in 27 MHz clock periods, from **TtxtRequest** to **TtxtData**.

TtxtOutDelay		Ttxt base address + #08	Read/Write
Bit	Bit field	Function	
8:0	Delay	Delay from the rising edge of TtxtRequest to the first valid teletext data bit in 27MHz clock periods.	

Table 23.4 TtxtOutDelay register format

TtxtInStartLine register

This register is used to specify the first line number to input teletext data.

TtxtInStartLine		Ttxt base address + #0C	Read/Write
Bit	Bit field	Function	
8:0	StartLineIn	Delay from toggle in TtxtEvennotOdd to first valid teletext line.	

Table 23.5 TtxtInStartLine register format

TtxtInCbDelay register

This register is used during teletext in mode to specify the delay from a rising edge on hsync to when the teletext interface starts to look for the framing code. This delay is in 27 MHz cycles, and is used to mask out the color burst present at the beginning of every line. The default value is 270 (#10E), which provides a delay of 10 μs.

TtxtInCbDelay		Ttxt base address + #10	Read/Write
Bit	Bit field	Function	
8:0	CbDelay	Delay (in 27MHz cycles) from hsync pulse to enable TtxtData in/ TtxtClock . Used to mask color burst.	

Table 23.6 TtxtInCbDelay register format

TtxtMode register

This register sets the mode of the teletext interface, to teletext data out or teletext data in. It also specifies whether teletext data in memory is for odd or even fields.

TtxtMode		Ttxt base address + #14	Read/Write
Bit	Bit field	Function	
0	Mode	Teletext interface mode 0Teletext OUT enabled 1Teletext IN enabled	
1	OddEven	Specifies odd or even fields of teletext data. 0Teletext data to/from memory is for EVEN fields 1Teletext data to/from memory is for ODD fields	

Table 23.7 TtxtMode register format

TtxtIntStatus register

This register gives the current state of the teletext interface operations.

TtxtIntStatus		Ttxt base address + #18	Read
Bit	Bit field	Function	
0	InOutComplete	Teletext in/out operation completed. Set at reset.	
1	Odd	Current (video encoder) field is ODD.	
2	Even	Current (video encoder) field is EVEN.	

Table 23.8 TtxtIntStatus register format

TtxtIntEnable register

This register allows masking of the TtxtIntStatus register.

TtxtIntEnable		Ttxt base address + #1C	Read/Write
Bit	Bit field	Function	
0	InOutCompleteEn	Enable teletext in/out operation completed interrupt.	
1	OddEnable	Enable odd field interrupt.	
2	EvenEnable	Enable even field interrupt.	

Table 23.9 TtxtIntEnable register format

TtxtAckOddEven register

This register is address sensitive only and clears the **Odd** and **Even** bits of the TtxtIntStatus register.

TtxtAckOddEven		Ttxt base address + #20	Write
Bit	Bit field	Function	
	AckOddEven	Acknowledge odd/even toggle interrupt.	

Table 23.10 TtxtAckOddEven register format

TtxtAbort register

This register is write only and address sensitive only. A write to this address causes the teletext interface to abort the current operation. The state of the teletext in/out operation is reset, and the teletext data transfer is interrupted. The DMA engine is reset only after the current word read/write is complete.

TtxtAbort		Ttxt base address + #24	Write only
Bit	Bit field	Function	
	Abort	Abort current operation.	

Table 23.11 TtxtAbort register format

24 Section filter

The section filter module parses the section information in an MPEG-2 transport stream packet and detects sections that need to be processed. The transport packet consists of: a header containing information on the contents of the packet; an optional adaptation field; and a payload field. The payload field can contain stream data, such as video or audio MPEG compressed data, or data sections which are sections from a data table. These sections have a fixed format and are defined by the MPEG-2 systems specification¹.

The data sections can arrive at a faster rate than the system can process so a filter selects only those sections that are required and thus reduces the data rate. In addition, the sections that are used to construct the tables are repeated regularly so it is possible to build up an information table by capturing a proportion of them using one set of values in the filters, and then capturing the remainder of the table by setting the filters up to select the missing sections.

The filter system looks for a match to a total of 32 filters of 8 bytes each. Each bit of each of the filters is individually maskable so that no comparison is performed on that bit of the filter. The filter is interfaced to the system across a DMA engine which internally contains all the necessary registers. In addition to the filtering operation this system performs CRC checking on the sections which match a filter. CRC checking is performed on 1 byte per system cycle, taking 4 cycles to process 32 bits.

24.1 Section filter configuration registers

The section filter is programmable via configuration registers. In addition the section filter core CAM (content addressable memory) and RAM arrays appear as if they were a large bank of configuration registers. CAM is used to store the matched patterns and to perform the matching function when match data are presented to the CAM. RAM is used to store the mask bits to mask individual CAM bits during the match operations. Each 64-bit line of the filter is mapped as two 32-bit words in the CAM address space and two 32-bit words in the RAM address space.

The base addresses for the section filter registers are given in the Memory Map chapter.

24.1.1 Core memory mapped registers

Each section filter entry is composed of four 32-bit words in memory, with each group of four words aligned on a 4-word boundary. Within the 4-word group the section filter is composed of two 32-bit words dedicated to the storage of data, and two 32-bit words dedicated to the storage of masking information. An overall view of the section filter as it appears in the memory map is shown in Figure 24.1.

1. Generic Coding Of Moving Pictures And Associated Audio: Systems, Recommendation H.222.0, ISO/IEC 13818-1

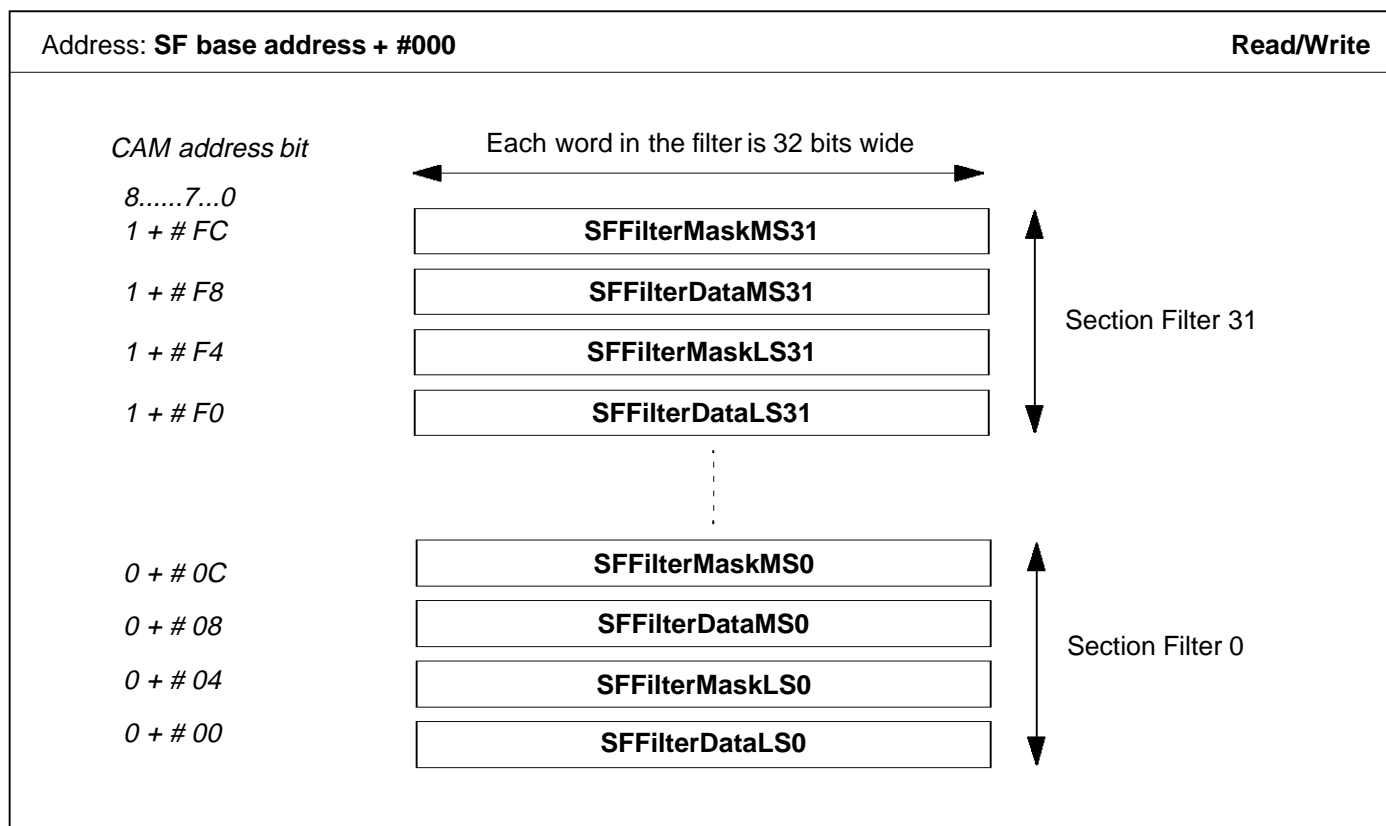


Figure 24.1 CAM memory map

SFFilterDataLS and SFFilterDataMS

The **SFFilterDataLS** and **SFFilterDataMS** registers are the least significant word and most significant word of the **SFFilterData** register. This enables the least significant or most significant word to be written independently without affecting the other word.

SFFilterDataLS		SF base address + #000 to 1F0 + #00	Read/Write
Bit	Bit field	Function	
31: 0	FilterDataLS	Least significant word (bits 31:0) of the filter data.	

Table 24.1 **SFFilterDataLS** register format - 1 register per section filter

SFFilterDataMS		SF base address + #000 to 1F0 + #08	Read/Write
Bit	Bit field	Function	
31: 0	FilterDataMS	Most significant word (bits 63:32) of the filter data.	

Table 24.2 **SFFilterDataMS** register format - 1 register per section filter

SFFilterMaskLS and SFFilterMaskMS

The **SFFilterMaskLS** and **SFFilterMaskMS** registers are the least significant word and most significant word of the **SFFilterMask** register. This enables the least significant or most significant word to be written independently without affecting the other word.

Bits set to 1 in the **SFFilterMask** registers enable the corresponding bits in the **SFFilterData** registers. Bits set to 0 have no effect ('don't care').

SFFilterMaskLS		SF base address + #000 to 1F0 + #04	Read/Write
Bit	Bit field	Function	
31: 0	FilterMaskLS	Least significant word (bits 31:0) of the filter mask.	

Table 24.3 **SFFilterMaskLS** register format - 1 register per filter

SFFilterMaskMS		SF base address + #000 to 1F0 + #0C	Read/Write
Bit	Bit field	Function	
31: 0	FilterMaskMS	Most significant word (bits 63:32) of the filter mask.	

Table 24.4 **SFFilterMaskMS** register format - 1 register per filter

24.2 DMA registers

The contents of the DMA registers are undefined while DMA operations are in progress, with the exception of the **Busy** bit of the **SFStatus** register.

SFDmaAddress register

The **SFDmaAddress** register holds the address of the next byte to be read from memory by the DMA operation.

At the start of the section filtering operation it is written with the address of the first byte of the first section of the transport packet to be filtered. This sets the initial address for the section filter DMA operations and initializes the module.

Note: While section filtering is being performed the contents of this register should not be read. After section filtering is suspended by an end of packet (EOP) or match condition the contents of this register are undefined.

SFDmaAddress		SF base address + #200	Read/Write
Bit	Bit field	Function	
31: 0	DmaAddress	Address of the next byte to be read from memory by the DMA.	

Table 24.5 **SFDmaAddress** register format

SFMode register

This register sets the mode of the filter. The section filter can be set to filter and/or CRC check.

If CRC checking is on then all sections that match one or more filters are CRC checked before flagging the match and stopping the filtering.

SFMode		SF base address + #204	Read/Write
Bit	Bit field	Function	
0	DisableCRC	Sets CRC checking on or off. 0 CRC check enable 1 CRC check disable (CRC checking off)	
1	DisableFilter	Sets filter on or off. 0 filter enable 1 filter disable	

Table 24.6 **SFMode** register format

SFStart register

This register is used to hold the byte index of the first byte of the section header that is being matched.

The byte index is used to determine the end of packet conditions. At the start of the section filtering operation it is written with the byte index of the first byte of the first section of the transport packet to be filtered or CRC checked or filtered and CRC checked. The transport packet is a byte array of 188 bytes (first byte index = 0).

After section filtering operations, when the **Busy** bit is reset, this register contains the byte index of the first byte of the section that has just been processed.

If a match condition has occurred then the filtering is restarted by re-writing the **SFStart** register with the byte index of the next section to process.

SFStart		SF base address + #208	Read/Write
Bit	Bit field	Function	
7:0	ByteIndex	Byte index of the first byte of the section header that is being matched.	

Table 24.7 **SFStart** register format

SFStatus register

This register gives the current state of the section filtering and CRC operations. The state of the **Match** and **EOP** bits are undefined when the section filter is in operation (i.e. **Busy** bit is 1).

SFStatus		SF base address + #20C	Read only
Bit	Bit field	Function	
0	Busy	Indicates that the section filter is performing a section filtering operation. 0 Not busy - the other status bits are valid 1 Busy - the other status bits are invalid	
1	Match	Indicates a match against one or more filters has occurred. 0 No match 1 Match	
2	EOP	Specifies an end of packet (EOP), i.e. it indicates the section is the last in this packet or that the section is split over the end of packet. 0 Not end of packet 1 End of packet - the Stuffing , HeaderError and LengthError bits are valid.	
3	Stuffing	Indicates that the EOP bit was set because a stuffing byte (first byte of section = #FF) was present. 0 First byte of last section processed < #FF 1 First byte of last section processed = #FF	
4	HeaderError	Indicates that the section header is incomplete in this packet. 0 Section header complete in this packet 1 Section header incomplete in this packet	
5	LengthError	Indicates that the section is incomplete in this packet. 0 Section complete in this packet 1 Section incomplete in this packet	
6	CRCError	Indicates a CRC error. 0 No CRC error 1 CRC error	

Table 24.8 **SFStatus** register format

SFMatch register

This register gives the state of the filters after a match has occurred. Each bit of the register corresponds to one of the filters. When a bit is set, it signals that a match has occurred with the corresponding filter and that the corresponding bit was set in the **SFMatchMask** register.

The contents of this register are undefined unless the **Busy** bit is cleared and the **Match** bit of the **SFStatus** register is set.

SFMatch		SF base address + #210	Read only
Bit	Bit field	Function	
31-0	Filter0-31Match	Filter match bits - filter has matched data in the current section.	
		0	No match - filter did not match or is masked
		1	Match - filter matched and was not masked

Table 24.9 **SFMatch** register format

SFMatchMask register

This register allows the filters to be masked during the filtering operations. Each bit of the register corresponds to one of the filters. When a bit is set, the corresponding filter is enabled for matching operations.

This register should be initialized before starting the filtering. It is not changed by the filtering operations. The contents of this register are valid at all times but the register should not be read during filtering as this may slow the DMA accesses.

SFMatchMask		SF base address + #214	Read/Write
Bit	Bit field	Function	
31-0	Filter0-31MatchMask	Filter match mask bits - section filter is carrying out a section filtering operation.	
		0	disable filter
		1	enable filter

Table 24.10 **SFMatchMask** register format

SFPartRemainder register

This register holds the value of the CRC partial remainder register. This register is read when the 'end of packet' and an 'error length' condition occurs.

This register is defined only when CRC checking is enabled (**DisableCRC** bit in the **SFMode** register is 0).

Note, this register must only be written during the section filter initialize phase, before writing the **SFStart** register.

SFPartRemainder		SF base address + #218	Read/Write
Bit	Bit field	Function	
31-0	CRCpartialRemainder	Current value of the CRC remainder.	

Table 24.11 **SFPartRemainder** register format

SFSectionLength register

The CPU may restart the section filter to CRC check only part of a section by disabling the filter (**DisableFilter** bit set to 1). The **SFSectionLength** register contains the length of the rest of the section to be CRC checked.

In CRC mode, when the EOP condition occurs and the section is not complete the DMA engine updates the **SectionLength** field with the length of the rest of the section to be CRC checked. The CPU reads this value and puts it back when the rest of the section is available.

SFSectionLength		SF base address + #21C	Read/Write
11:0	SectionLength	Length of the rest of the section to be CRC checked.	

Table 24.12 SFSectionLength register format

SFDataToMatch register

This register holds the data which is to be matched. It allows the CPU to filter data directly without DMA memory access. This is intended to be used only for test purposes.

SFDataToMatch		SF base address + #220	Read/Write
Bit	Bit field	Function	
31-0	MatchData	Data to be matched.	

Table 24.13 SFDataToMatch register format

24.3 Section filtering operation

The section filter CAM and Mask memory arrays must be configured with the filter data before a section matching operation can be performed. This is generally done during initialization of the application in the set top box. The filters then need to be updated by the application to capture the section information required for service information table updates and other data.

Prior to each section filtering operation the **SFMatchMask** register must contain the mask for the set of filters to filter the sections of the next transport packet payload. Matching operations are initiated by the ST20-TP2 writing to the **SFDmaAddress** register and the **SFStart** registers. Writing to the **SFDmaAddress** register initializes the DMA state machines, while writing to the **SFStart** register triggers the DMA operations. These registers give the module the address of the first byte of the first section in the packet and the byte index in the transport packet.

When CRC mode is enabled and the filter operation is disabled, the section filter will CRC check only the section whose remaining length is readable from the **SFSectionLength** register.

If CRC checking and filtering is enabled, the section filter module parses the section header to read 8 bytes from the start of the section into the input data register for matching. These 8 bytes consist of the first byte of the section and the fourth to tenth bytes.

When CRC mode is enabled, if a match occurs the entire section is CRC checked then DMA operations are stopped and the **Busy** bit is cleared. If during the CRC check the end of packet condition occurs (section data not completely contained in the current packet) DMA stops and the **Busy** bit is cleared. The **SFStatus** register can then be read to determine the state of the DMA operation.

When CRC mode is not enabled, if a match occurs the module stops DMA operations and the **Busy** bit is cleared. The **SFStatus** register can then be read.

In the case of a match occurring the byte index of the first byte of the current section can be read from the **SFStart** register and the length of the matching section read from the **Length** field of the section in memory. This data is stored so that a subsequent section processing task can extract the matching section records from the transport packets.

To restart matching operations after a match the **SFStart** register needs to be re-written without writing the **SFDmaAddress** register.

There are four cases in which the end of packet condition can occur:

- 1 If the first byte of a section to be matched has a value of 0xFF the matching is complete on this packet. The **Busy** bit is reset and the **EOP** bit set.
- 2 The section header of the current section runs beyond the end of the packet. In this case the bytes of the header in the current transport packet will need to be stored until the remainder of the header is available in the next transport packet for the same program ID (PID).
- 3 The current section header is complete in this transport packet but the length of the section indicates that the section is completed in the next transport packet for the same PID.
- 4 The current section exactly fits the remaining length of the transport packet.

If no match occurs on the current section then the section length field of the section is used to calculate the address of the first byte of the next section and the filter operation repeated. A check is made to ensure that the section or the section header does not run beyond the end of a transport packet, if it does, the section filter stops and the **Busy** bit is cleared. If the section header runs beyond the end of the packet the section header information from the current packet is inserted in the next packet in front of the remainder of the section header before the section filter DMA is started.

If CRC is enabled, the CRC check will be completed on the remaining bytes of the section and the result checked against the CRC field at the end of the section. The result of the CRC is indicated by the **CRCError** bit in the **SFStatus** register.

The **SFStatus** register gives the reason for the section filtering operation stopping.

Sections that match the filters are moved into a queue in memory, with a record of the filter match data and the PID for further processing to produce the data tables.

25 IEEE 1284 port (PC parallel port)

An 8-bit wide parallel interface supports a high speed data input/output port to/from the set top receiver and is capable of interfacing to a PC to the IEEE 1284 standard. The interface has a dedicated DMA controller to transfer data to/from memory to the port with little CPU overhead.

The IEEE 1284 specification¹ defines a standard for an asynchronous, interlocked, bidirectional parallel communications between a host and a peripheral.

The 1284 port supports all IEEE 1284 modes of communication (except EPP mode) with appropriate software control and use of DMA transfers where appropriate to increase throughput and decrease system load. The port has three additional non IEEE 1284 compliant modes to support transport stream output modes and allows software control of the port.

Data may be accessed/sourced from either internal registers or via a DMA transfer.

DMA transfers are not word aligned and may transfer between 1 and 65535 bytes. The DMA may only operate in one direction at any one time.

The method used to indicate the port has completed a transfer or has an event which needs servicing is based on an interrupt mechanism.

Note, the pins meet IEEE1284 level 2 device requirements and are designed to directly drive a 1284 compliant cable with external matching resistors.

1. IEEE Standard 1284-1994: IEEE Standard Signalling method for a Bidirectional Parallel Peripheral Interface for Personal Computers.

25.1 1284 port pins

Pin	In/Out	Function
1284Data0-7	in/out	1284 serial data
1284notSelectIn	in	The function of these control pins is dependent on the mode of operation of the 1284 port, see Table 25.1 below.
1284notInit	in	
1284notFault	out	
1284notAutoFd	in	
1284Select	out	
1284PError/ TSByteClkValid	out	
1284Busy/ TSPacketClk	out	
1284notAck/ TSByteClk	out	
1284notStrobe	in	
1284InnotOut (PIO3[7])	out	1284 data output enable for an external buffer
1284PeriphLogicH (PIO4[3])	out	Peripheral logic high
1284HostLogicH (PIO4[4])	in	Host logic high

Table 25.1 1284 port pins

The nine control pins have different functions depending on the mode of operation of the port interface. The mapping of the 1284 port pins to the function of the pin in a specific mode is given in Table 25.1 below. For full details of the 1284 signal functions in each mode refer to the *IEEE Standard 1284-1994*. The different modes of operation are detailed in the following sections.

Pin	IEEE 1284 modes				Transport stream mode
	Compatible mode	Nibble mode	Byte mode	ECP mode	
1284notStrobe	nStrobe	HostClk	HostClk	HostClk	
1284notAck	nAck	PtrClk	PtrClk	PeriphClk	TSByteClk
1284Busy	busy	PtrBusy	PtrBusy	PeriphAck	TSPacketClk
1284PError	pError	AckDataReq	AckDataReq	nAckReverse	TSByteClkValid
1284Select	select	XFlag	XFlag	XFlag	
1284notAutoFd	nAutoFD	HostBusy	HostBusy	HostAck	
1284notInit	nInit	high	high	nReverseRequest	
1284notFault	nFault	nDataAvail	nDataAvail	nPeriphRequest	
1284notSelectIn	nSelectIn	active	active	active	

Table 25.1 1284 port control pin functions

25.2 1284 Port modes of operation

The 1284 port supports three main modes of operation, as follows:

- IEEE 1284 mode
- Transport stream mode
- Software control mode

Each of these modes and their associated modes are discussed in the following section.

25.2.1 IEEE 1284 mode

The 1284 port supports IEEE 1284 modes of communication, as defined below, with appropriate software control and use of DMA transfers where appropriate to increase throughput and decrease system load.

For full details of the 1284 protocols and signal functions in each mode refer to the *IEEE Standard 1284-1994*.

Forward transfer implies a transfer from the host to the peripheral, reverse transfer, from the peripheral to the host.

The **1284ModeEnable**, **1284PulseWidth** and **1284PinOut** registers must be set before entering any 1284 mode.

The **1284PeriphLogicH** pin is forced high in all 1284 modes.

IEEE 1284 mode initialization

On entering the 1284 modes, the peripheral always completes an initialization sequence before starting in compatibility mode. If the **OverrideHostLogicH** bit in the **1284Control** register is not set then the part remains in this mode until the **1284HostLogicH** pin goes high.

Note: It is the responsibility of the software driver to ensure that the **1284PeriphLogicH** pin setting is correct before entering the i1284 modes.

The status of the peripheral is indicated to the host using the values in the **1284PinOut** register. If the **Busy** bit is high then the peripheral will be busy on entering compatible mode and the values of the **1284PError**, **1284Select** and **1284notFault** pins will reflect the values in the **1284PinOut** register.

The value of the **1284Busy** and **1284notAck** pins are not under user control.

Compatibility mode

Forward transfer only.

Following initialization, or reset by either the host or the peripheral, the port operates in this mode until the host negotiation allows the port to move to another mode. This mode is comparable to the 'Centronics Parallel Port' (CPP).

Following any protocol exceptions or termination requests the module returns to this mode.

The busy status of the peripheral in this mode is controlled by the **Busy** bit of the **1284PinOut** register. The peripheral becomes busy when a transfer occurs, or when the **Busy** bit of the **1284PinOut** register is set.

If the **Busy** bit is high, the **1284PErrror**, **1284Select** and **1284notFault** pins are driven to the value given in the **1284PinOut** register. The value of the **1284notAck** pin is not under user control.

Compatibility mode is always enabled when 1284 mode is enabled.

Negotiation

The host may request that the 1284 compliant device change communication mode, by placing an extensibility request on the data bus during negotiation mode.

Negotiation may only be entered from compatibility mode, and a negative response to a request will stall the port until the host terminates the transaction, and returns the port to compatibility mode.

The modes to which the module responds positively depends on the specific implementation and the **1284ModeEnable** register, see Table 25.2 on page 156.

On entering this mode the **1284Busy** pin assumes the value in the **1284PinOut** register. The control of the other pins is dependent on the mode being entered, and whether data is available to be transferred.

Nibble mode

Reverse transfers only.

This is the most basic reverse transfer mode and is used as the reverse channel in conjunction with compatible mode. The data is transferred as 4-bit values on four of the 1284 control pins: **1284PErrror**, **1284Busy**, **1284notFault**, **1284Select**.

The **1284Busy** pin reflects the value in the **1284PinOut** register or the data value depending on the point in the transfer. The other pins are not under user control.

Nibble mode is always enabled if 1284 mode is enabled.

Byte mode

Reverse transfers only.

This mode uses a similar protocol to nibble mode, but transfers the data as 8-bit values on the data bus (**1284Data0-7**).

The **1284Busy** pin reflects the value in the **1284PinOut** register. The other pins are not under user control.

ECP mode

Both forward and reverse transfers.

The module supports run length encoding (RLE). The hardware allows access to channel and RLE data, and software support is provided.

Expansion of incoming data using RLE encoding is supported in hardware and enabled using the **1284Control** register. All output RLE encoded data must be pre-encoded.

If channel or RLE information is passed to the DMA engines, a DMA error occurs.

The **1284notFault** pin reflects the value in the **1284PinOut** register and is expected to be used to trigger a host interrupt.

For the case when the 1284 port is not busy and a forward transfer is occurring, then the peripheral should ensure that when a token becomes available it is accepted from the 1284 port within 35 ms. Failure to do so may cause the host to signal a time-out error. If hardware RLE decode is enabled, the application should ensure that a complete decoded RLE sequence will be accepted within 35 ms. The maximal RLE sequence length allowed by the IEEE 1284 standard is 128 bytes. The tokens may be accepted either by the DMA or register transfers.

Device identification

The peripheral asserts an interrupt to indicate a device id request has occurred. Software will handle this and return the device id data stream.

The protocol used to return the id stream depends on the **1284ModeEnable** register.

Host reset

The interface may be re-initialized at any time by the host, this produces an interrupt for the peripheral to respond to. The slave may request to terminate a communication, or request to interrupt the master, but will wait for acknowledgement when operating in IEEE 1284 mode.

Termination

Following termination of a mode by the host, the peripheral will always return to compatible mode. The behavior of the **1284PError**, **1284notFault** and **1284Select** pins is dependent on the value in the **1284PinOut** register, and will reflect the value in this register if the **Busy** bit is set.

If **Busy** bit of the **1284PinOut** register is set, the peripheral will be busy on entering compatible mode. The peripheral will set the value of the **1284Busy** pin.

Data transfer rates

The data transfer rate in these modes is dependent on the host, operating mode and memory speed, and is expected to be limited by the host response time.

The DMA engine implements eight bytes of buffering for outgoing data, and four for incoming data.

25.2.2 Transport stream mode

The transport stream interface produces a byte wide output data stream compatible with the Link-IC protocol, refer to “Link IC interface” on page 126. The two alternate implementations of this output stream are defined below.

Note, the number of null byte transfers must be controlled by the driver software.

The following sections describe the pin and register functionality of the 1284 port in transport stream mode.

The value of the **1284PulseWidth**, **1284PinOut** and **1284PacketSize** registers must be set before entering transport mode.

TSByteClk

The data (**1284Data0-7**), **TSPacketClk** and **TSByteClkValid** are valid on the rising edge of this signal. The data, **TSPacketClk** and **TSByteClkValid** change on the falling edge of this clock. The clock is active when a valid data token is available on the data bus.

The minimum frequency of the byte clock is dependent on the value held in the **1284PulseWidth** register, see Table 25.3 on page 157. This gives the delay in number of clock cycles between byte

clock edge transitions. At 40 MHz, a value of 2 in this register produces a byte clock with a nominal 100 ns period.

In transport stream mode A, the byte clock is free running and **TSByteClkValid** going high indicates that the clock is active. The frequency of the clock is fixed, and in the case of memory stalls, **TSByteClkValid** going low indicates there is no data packet to transmit.

In transport stream mode B, a rising transition only occurs on this clock when valid information is available to transmit. The frequency of the clock may change in the event of a memory stall. At the end of a packet transfer the clock becomes free running until the next packet transfer is started.

TSByteClkValid

This validates the byte clock and indicates that the **TSByteClk** transition is valid.

TSPacketClk

This is high during a packet transfer. The length of a packet is defined by the **1284PacketSize** register, see Table 25.13 on page 161. A packet transfer commences when valid data has been read from memory and is available on the data bus. It completes when the number of bytes defined by the **1284PacketSize** register have been transferred.

1284PacketSize register

A write to the **1284PacketSize** register defines the number of bytes within a packet.

The 1284 packet size count is restarted after the required number of bytes have been transferred, and if a DMA transfer of greater than one packet is started, the second packet is transferred with a single null byte between packets. If a DMA transfer transfers an incomplete packet, the module will stall until more bytes become available.

The count may be restarted by writing to the **Reset** bit in the **1284Control** register or by writing to the **1284PacketSize** register.

Transfer stream mode A and B examples

Figure 25.2 and Figure 25.3 give an example of a single packet transfer in transport stream mode A and B respectively. The number of null bytes depends on the time taken to start a second DMA transfer.

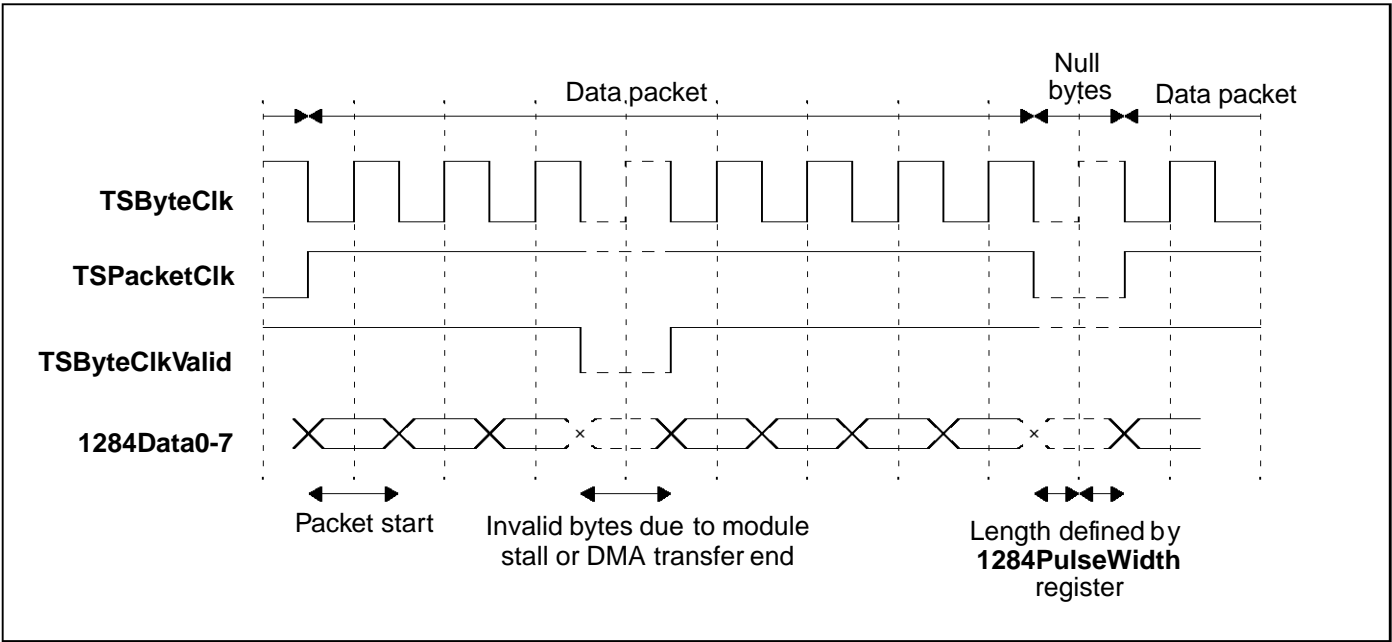


Figure 25.2 Packet transfer in transport stream mode A

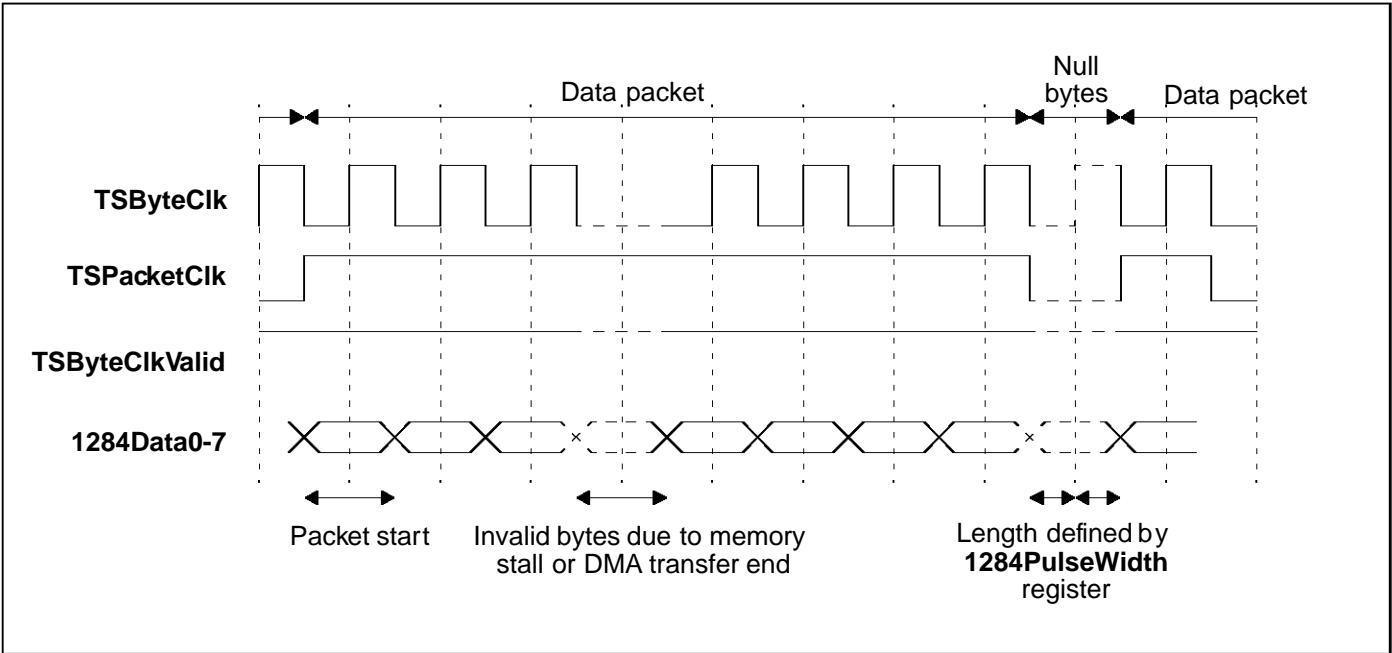


Figure 25.3 Packet transfer in transport stream mode B

Data rates

In transport mode the data throughput is a function of the memory speed, the byte clock rate and packet size. Assuming an average memory speed of 12 cycles a sustained data rate of 8 Mbytes/s can be maintained for word aligned accesses for large packets.

25.2.3 Software mode

Software mode supports direct software control of the 1284 port, via the relevant control registers.

The peripheral may set the value of the output pins, control the value and direction of the data bus, and examine the input pins.

Interrupts may be set to occur if the input pins fail to match a pattern.

Data tokens may be transferred to and from the DMA engines.

25.3 1284 port control registers

The 1284 port is controlled via registers.

Following system reset the registers are set to zero, unless otherwise specified .

All enables are active high unless otherwise stated.

1284ModeEnable register

The **1284ModeEnable** register bits are a direct mask of the 1284 extensibility request values. If a bit corresponding to the mode is set low, the peripheral is refused access to enter the mode when operating in 1284 mode. If all the bits are disabled the device operates in the nibble and compatible modes.

If the register is modified, the change takes effect at the next 1284 negotiation transaction.

This register is only valid when 1284 mode is enabled.

1284ModeEnable		1284 base address + #00	Write only
Bit	Bit field	Function	
0	EnByte	Enable byte	
2	EnDevID	Enable device identification	
4	EnECP	Enable ECP	
5	EnRLE	Enable RLE	
1,3,6,7		RESERVED, write 0.	

Table 25.2 **1284ModeEnable** register format

1284PulseWidth register

In 1284 mode, the **1284PulseWidth** register specifies the time period (T_p^2) in number of system clock cycles. For the ST20-TP2 running at 40 MHz this value must be 20 system clock cycles minimum in order to comply with the IEEE 1284 minimum time period of 500 ns.

In transport stream mode, this register specifies the minimum period between byte clock (**TSByte-Clk**) edge transitions, for details see the transport mode description.

A write to this register takes effect at the next byte transfer. Note, this register must only be written when transport and 1284 modes are disabled.

2. T_p : Defined in the IEEE 1284 spec as the Minimum setup or pulse width for IEEE 1284 handshakes.

Following system reset, this register is undefined.

1284PulseWidth		1284 base address + #04	Write only
Bit	Bit field	Function	
7:0	ClockCycles	The function of this register is dependent on the mode of operation of the 1284 port. Time period (Tp) in system clock cycles - 1284 mode Minimum period between TSByteClk edge transitions - transport stream mode	

Table 25.3 **1284PulseWidth** register format

1284Control register

The **1284Control** register controls the operating mode of the 1284 port.

Setting the **Reset** bit forces all machines back to the idle status, discarding any stored data. Note, this may cause protocol errors and loss of data. This is a functional synchronous reset, and returns the module to the initialization state in the enabled mode. This only resets the 1284 module, and not the DMA engines.

If any 1284 mode or the transport stream mode is disabled during a transaction, the mode is disabled next time the controlling state machine reaches idle, after completing any ongoing transactions. In transport stream modes, the current package is completed before returning to idle, in 1284 mode it waits until returning to compatible mode.

If the hardware enables (bits 3 and 5) are changed during a transaction, the change takes effect next time the action associated with that transaction occurs.

Note, when operating in 1284 mode, the point at which the 1284 port returns to idle is controlled by the host and therefore may be an unbounded period of time.

1284Control		1284 base address + #08	Write only
Bit	Bit field	Function	
2:0	Mode	1284 port operating mode. Mode2:0 Operation 000 software mode 001 IEEE 1284 mode 010 transport stream mode A 011 transport stream mode B	
5	HwInputRLEexpan	Enable hardware input RLE expansion	
6	ExtBusDirection	Enable external bus direction control	
7	Reset	When set to 1, the 1284 port is reset, and any stored data is discarded.	
8	OverrideHostLogicH	When set to 1, the 1284HostLogicH input signal is forced high, so when operating in any 1284 mode the 1284 module always assumes that the input signals from the host are valid.	
3, 4		RESERVED, write 0.	

Table 25.4 **1284Control** register format

1284Status register

The **1284Status** register gives the current status of the 1284 module.

Bit three is valid in ECP mode. It indicates that RLE expansion has been enabled. If the hardware expansion is not enabled then software is required to expand the byte stream.

Following system reset the 1284 module starts in software mode.

A 1284Request is cleared when the next data token is transferred to the 1284 module.

1284Status		1284 base address + #0C	Read only
Bit	Bit field	Function	
0	OutputDataReady	Output clear and available. The 1284 module is ready to output data to the host.	
1	InputDataReady	Input byte available. Data from the host is available in the 1284 module input buffer.	
2	1284Request	Device id request.	
3	EnableRLEext	RLE extensions enabled - in ECP mode	
7:4	OpMode	Operational mode. Valid values are as follows: OpMode7:4 Operational mode 0000 1284 mode: initialization 0001 1284 mode: compatible 0010 1284 mode: negotiation 0011 1284 mode: nibble 0100 1284 mode: byte 0101 1284 mode: ECP 0111 1284 mode: terminate 1000 software mode - peripheral control of 1284 port 1001 transport stream mode A 1010 transport stream mode B	
8	DataTransferDir	Data transfer direction 0 from host to 1284 module 1 from 1284 module to host	

Table 25.5 1284Status register format

1284PinIn register

The 1284PinIn register reflects the current status of the input pins in all modes. The value read is the value on the pins when the request is granted.

1284PinIn		1284 base address + #10	Read only
Bit	Bit field	Function	
0	notStrobe	1284notStrobe pin status	
1	notAutoFd	1284notAutoFd pin status	
2	notInit	1284notInit pin status	
3	notSelectIn	1284notSelectIn pin status	
4	HostLogicH	1284HostLogicH pin status	

Table 25.6 1284PinIn register format

1284PinInEnable register

This register enables generation of an interrupt based on the values contained in the **1284PinInValue** register, see Table 25.8.

1284PinInEnable		1284 base address + #14	Read/Write
Bit	Bit field	Function	
0	notStrobeIntEn	When set, it enables generation of an interrupt if the associated value given in the 1284PinInValue register does not match the 1284notStrobe input pin setting.	
1	notAutoFdIntEn	When set, it enables generation of an interrupt if the associated value given in the 1284PinInValue register does not match the 1284notAutoFd input pin setting.	
2	notInitIntEn	When set, it enables generation of an interrupt if the associated value given in the 1284PinInValue register does not match the 1284notInit input pin setting.	
3	notSelectIntEn	When set, it enables generation of an interrupt if the associated value given in the 1284PinInValue register does not match the 1284notSelect input pin setting.	
4	HostLogicHIntEn	When set, it enables generation of an interrupt if the associated value given in the 1284PinInValue register does not match the 1284HostLogicH input pin setting.	

Table 25.7 **1284PinInEnable** register format

1284PinInValue register

This register holds the value against which the input pins are compared. Any difference in the associated bits results in an interrupt being generated if the corresponding bit in the enable register (**1284PinInEnable**, see Table 25.7) is set.

The compare function is level sensitive, and any change in input must be held for longer than the interrupt response time to be seen as a valid interrupt.

Following system reset this register is undefined.

1284PinInValue		1284 base address + #18	Read/Write
Bit	Bit field	Function	
0	notStrobeIntVal	Value to which the 1284notStrobe input pin setting is compared.	
1	notAutoFdIntVal	Value to which the 1284notAutoFd input pin setting is compared.	
2	notInitIntVal	Value to which the 1284notInit input pin setting is compared.	
3	notSelectIntVal	Value to which the 1284notSelect input pin setting is compared.	
4	HostLogicHIntVal	Value to which the 1284HostLogicH input pin setting is compared.	

Table 25.8 **1284PinInValue** register format

1284PinOut register

The bus direction, pin signals are only under the control of this register when not being controlled by the 1284 or transport mode state machine. For details of the pin control in the transport and 1284 modes refer below.

All pins are under user control when the device is operating in software mode.

A read from this register gives the current value of the output pin/bus direction. If the pin is not under user control this may not be the value written to this register, but will reflect the current value on the output pins.

If **DataBusEnable** is set low, the data bus is high impedance and may be driven by the host.

1284PinOut		1284 base address + #1C	Read/Write
Bit	Bit field	Function	
0	notFault	1284notFault output pin setting	
1	Select	1284Select output pin setting	
2	Perror	1284PError output pin setting	
3	notAck	1284notAck output pin setting	
4	Busy	1284Busy output pin setting	
5	PeriphLogicH	1284PeriphLogicH output pin setting	
6	DataBusEnable	1284Out output pin setting	

Table 25.9 **1284PinOut** register format

1284DataIn register

When in any IEEE 1284 mode, a read from the **1284DataIn** register reads the input data token stored in the 1284 module. In other modes it reflects the data currently on the input data pins (**1284Data0-7**).

This data is valid and available only when the **InputDataReady** bit is set high in the **1284Status** register, see Table 25.5. If data is available, then reading this register removes the data token from the 1284 port and allows the next access sequence to proceed.

Reading from the register during a DMA transfer will interrupt that transfer sequence, and may invalidate the DMA transfer.

Bit 8 is valid only in ECP mode and indicates byte packet type, in all other modes it is undefined. The type of an incoming data package is mode dependent.

1284DataIn		1284 base address + #20	Read only
Bit	Bit field	Function	
6:0	Data6:0	Input data token stored in the 1284 module - in any IEEE 1284 mode. Data currently on the data pins (1284Data0-6) - in any other mode.	
7	Control/Data7	Data currently on the data pin (1284Data7) - in any other mode. Control packet type - in ECP mode, where 1 indicates channel number packet, 0 indicates RLE count packet.	
8	Control/Address	Byte packet type 0 data 1 control packet in ECP mode	

Table 25.10 **1284DataIn** register format

1284DataOut register

A write to the **1284DataOut** register writes a data token to the 1284 module.

If a write to this register occurs in 1284 mode or transport stream mode, and the **OutputDataReady** bit of the **1284Status** register is set high, then a data token is transferred to the 1284 port and the access sequence started. In other modes it reflects the value on the data pins if the data bus is being driven.

Bit 8 is valid in ECP mode only and controls the type of access triggered.

Writing to this register during a DMA access will interrupt the access sequence and may invalidate the DMA transfer.

1284DataOut		1284 base address + #24	Write only
Bit	Bit field	Function	
6:0	Data6:0	Output data token stored in the 1284 module - in any IEEE 1284 mode or transport mode.	
7	Control/Data7	Data currently on the data pins (1284Data0-6) - in any other mode. Data currently on the data pin (1284Data7) - in any other mode.	
8	Control	Control packet type - in ECP mode, where 1 indicates channel number packet, 0 indicates RLE count packet. Byte packet type 0 data 1 control packet in ECP mode	

Table 25.11 **1284DataOut** register format

1284Checksum register

The **1284Checksum** register contains a checksum of all bytes transmitted or received by the 1284. A read from this register causes it to be reset. The checksum is calculated by the accumulative bit-wise XOR of each bit in the byte passing through the 1284 with the previous checksum value.

This register is not defined in transport modes for a single cycle pulse width.

This function is not part of the *IEEE 1284 Standard*, and is an addition to allow rapid checksum calculation in a specific application.

1284Checksum		1284 base address + #28	Read only
Bit	Bit field	Function	
7:0	Checksum	Checksum of all bytes transmitted or received.	

Table 25.12 **1284Checksum** register format

1284PacketSize register

The **1284PacketSize** register contains the packet size during a transport stream transfer. This register is valid only when transport mode is enabled.

1284PacketSize		1284 base address + #2C	Write only
Bit	Bit field	Function	
11:0	PacketSize	Packet size during a transport stream transfer.	

Table 25.13 **1284PacketSize** register format

1284DmaToken register

This register allows the DMA engines to be used when driving the 1284 port directly in software mode. The register is valid only when software mode is enabled, writes to this register in other modes are undefined.

A read from this register indicates whether the token has been successfully transferred to the DMA engine. If the bit is high then the memory system has not yet accepted the token, if the bit is zero it indicates that it has accepted the token.

The token transfer will only occur if the direction of the DMA engine corresponds to the token transfer direction.

The DMA engine may assemble each byte token in word packets before writing the token to memory.

Writing a 1 to bit 0 transfers a data token to the DMA engine from the data pins. Writing a 1 to bit 1 transfers a data token to the data pins from the DMA engine.

1284DmaToken		1284 base address + #30	Read/Write
Bit	Bit field	Function	
0	TokenToDma	Data token transfer from the data pins to the DMA engine.	
1	TokenFromDma	Data token transfer from the DMA engine to the data pins.	

Table 25.14 **1284DmaToken** register format

1284DmaAddress register

This defines the byte address from which the DMA starts. Following the completion of a DMA access this register points to the next location in memory.

This register is undefined following system reset.

1284DmaAddress		1284 base address + #40	Write only
Bit	Bit field	Function	
31:0	DmaAddress	Byte address from which the DMA starts.	

Table 25.15 **1284DmaAddress** register format

1284DmaCount register

In the event of a DMA error, or other exception, the **1284DmaCount** register contains the number of bytes which remain to be transferred.

Writing to this register starts a new DMA sequence, starting from the address given in the **1284DmaAddress** register, for the number of bytes written to this location.

Reading from this register gives the number of bytes remaining to be transferred. This value is constant only when the DMA engine has been stalled or reset.

A value of zero in this register indicates that the DMA transfer has completed transfers to/from memory. If a zero is written to this register, a memory access may occur, but no data is transferred.

This register is undefined following system reset.

1284DmaCount		1284 base address + #44	Read/Write
Bit	Bit field	Function	
15:0	DmaCount	Number of bytes to be transferred.	

Table 25.16 **1284DmaCount** register format

1284DmaControl register

The **1284DmaControl** register controls the DMA transfer.

The direction of the DMA access, either from memory to the 1284 port or vice versa is specified by the **DmaDirection** bit.

Setting the **DmaReset** bit terminates the DMA transfer. Buffered incoming data is written to memory. Stored outgoing data is lost. The **1284DmaCount** register shows the number of bytes successfully transferred before reset occurred. When reset is complete, the **DmaReset** bit is set to zero.

Note: If the DMA engine is reset whilst a DMA output is occurring and the byte transfer is in progress on the 1284 port, the byte transfer may be corrupted, or the host left in a position of expecting data to be transferred. This byte is not included in the DMA count.

DMA reset is only expected to be used to clear the DMA engines in exceptional conditions such as, errors, at which point the interface is stalled, or by stalling the DMA engines for long enough for all buffered tokens to be removed.

Setting the **DmaStall** bit stops the DMA transfer. The **1284DmaCount** register shows the total number of bytes remaining to be transferred. Resetting the **DmaStall** bit allows the DMA transfer to continue.

1284DmaControl		1284 base address + #48	Read/Write
Bit	Bit field	Function	
0	DmaDirection	Direction of the DMA access. 0 from 1284 port to memory 1 from memory to 1284 port	
1	DmaStall	Stalls the DMA transfer	
2	DmaReset	Terminates the DMA transfer.	

Table 25.17 **1284DmaControl** register format

1284IntEnable register

The **1284IntEnable** register determines whether an interrupt is enabled.

If the bit relating to the interrupt is set, then if that event occurs, an interrupt is generated.

A DMA error occurs if a non-data packet (an RLE count, channel number or an address value) is passed during a DMA transfer. The DMA sequence stalls at this point. The DMA engine must then be reset to flush valid buffered incoming bytes to memory. The erroneous data token can be accessed directly and removed from the 1284 module by reading the **1284DataIn** register, see Table 25.10 on page 160. Outgoing data tokens are not checked.

The DMA access can also be stalled by a number of events such as mode and direction changes, protocol errors and 1284 requests. These events can be monitored and treated as a DMA error if

the events are seen, by explicitly resetting the DMA engines, which flushes buffered valid bytes to memory, leaving the engines in the same state as a DMA error following a reset.

1284IntEnable		1284 base address + #4C	Read/Write
Bit	Bit field	Function	
0	1284OutputAvailEn	When set, an interrupt is generated when the 1284 output is clear and available.	
1	1284InputAvailEn	When set, and interrupt is generated when a 1284 input byte is available.	
2	DmaCompleteEn	When set, an interrupt is generated when a DMA transfer is completed and all tokens have been transferred to/from the 1284 port.	
3	DmaErrorEn	When set, an interrupt is generated if a non-data packet (an RLE count, channel number or address value) is passed by the 1284 port during a DMA transfer.	
4	1284PinInEn	When set, an interrupt is generated when the enabled (1284PinInEnable register) 1284 input pins fail to match the pattern in the 1284PinInValue register. The value of the input pins can be read from the 1284PinIn register, see Table 25.6.	
5	1284ModeChangeEn	When set, an interrupt is generated if the 1284 port changes mode. The operational modes are specified in the 1284Status register. Additional information on the direction of the bidirectional modes is also available in the 1284Status register or can be interpreted from bits 1:0 of the 1284IntStatus register.	
6	1284DirecChangeEn	When set, an interrupt is generated if the transfer direction of the 1284 port changes. The current transfer direction can be read from the 1284Status register.	
7	1284RequestEn	When set, an interrupt is generated if a device id request is made.	
8	1284ErrorEn	When set, an interrupt is generated if a protocol error is detected by the 1284 port.	
9	1284ResetEn	When set, an interrupt is generated if the host system resets the 1284 port.	

Table 25.18 **1284IntEnable** register format

1284IntStatus register

The **1284IntStatus** register gives the identity of the event which caused the interrupt. This register may also be read to monitor the status of non-enabled interrupts.

1284IntStatus		1284 base address + #50	Read only
Bit	Bit field	Function	
0	1284OutputAvail	When set, indicates 1284 output clear and available interrupt was generated.	
1	1284InputAvail	When set, indicates 1284 input byte available interrupt was generated.	
2	DmaComplete	When set, indicates DMA complete interrupt was generated.	
3	DmaError	When set, indicates DMA error interrupt was generated.	
4	1284PinIn	When set, indicates input pin interrupt was generated.	
5	1284ModeChange	When set, indicates mode change interrupt was generated.	
6	1284DirecChange	When set, indicates direction change interrupt was generated.	
7	1284Request	When set, indicates request interrupt was generated.	
8	1284Error	When set, indicates error interrupt was generated.	
9	1284Reset	When set, indicates reset interrupt was generated.	

Table 25.19 **1284IntStatus** register format

1284IntAck register

The **1284IntAck** register is write only. Writing a '1' to a bit in this register explicitly clears the associated active interrupt.

The locations marked 'Not applicable' reference interrupts which are implicitly cleared by completing the action associated with the interrupt. An explicit reset will clear these bits, but the interrupt will be immediately re-asserted if the triggering condition is still true.

The 1284 input and output interrupts are cleared when the associated data token is transferred. The DMA error and DMA complete interrupts can be cleared by resetting/restarting the DMA engine. A 1284 request is cleared by outputting a data token.

1284IntAck		1284 base address + #54	Write only
Bit	Bit field	Function	
0	1284OutputAvailAck	Not applicable	
1	1284InputAvailAck	Not applicable	
2	DmaCompleteAck	Not applicable	
3	DmaErrorAck	Not applicable	
4	1284PinIntAck	Not applicable	
5	1284ModeChangeAck	When set, the associated interrupt is cleared.	
6	1284DirecChangeAck	When set, the associated interrupt is cleared.	
7	1284RequestAck	Not applicable	
8	1284ErrorAck	When set, the associated interrupt is cleared.	
9	1284ResetAck	When set, the associated interrupt is cleared.	

Table 25.20 **1284IntAck** register format

25.3.1 Power on, initialization and termination

The interface may be re-initialized at any time by the host, this produces an interrupt for the peripheral to respond to. The slave may request to terminate a communication, or request to interrupt the master, but will wait for acknowledgement when operating in IEEE 1284 mode.

25.4 Signal Filtering

All 1284 control inputs (all inputs with the exception of the data bus) have a digital filter to remove signal glitches and are synchronized to the internal clock using a two stage synchronizer.

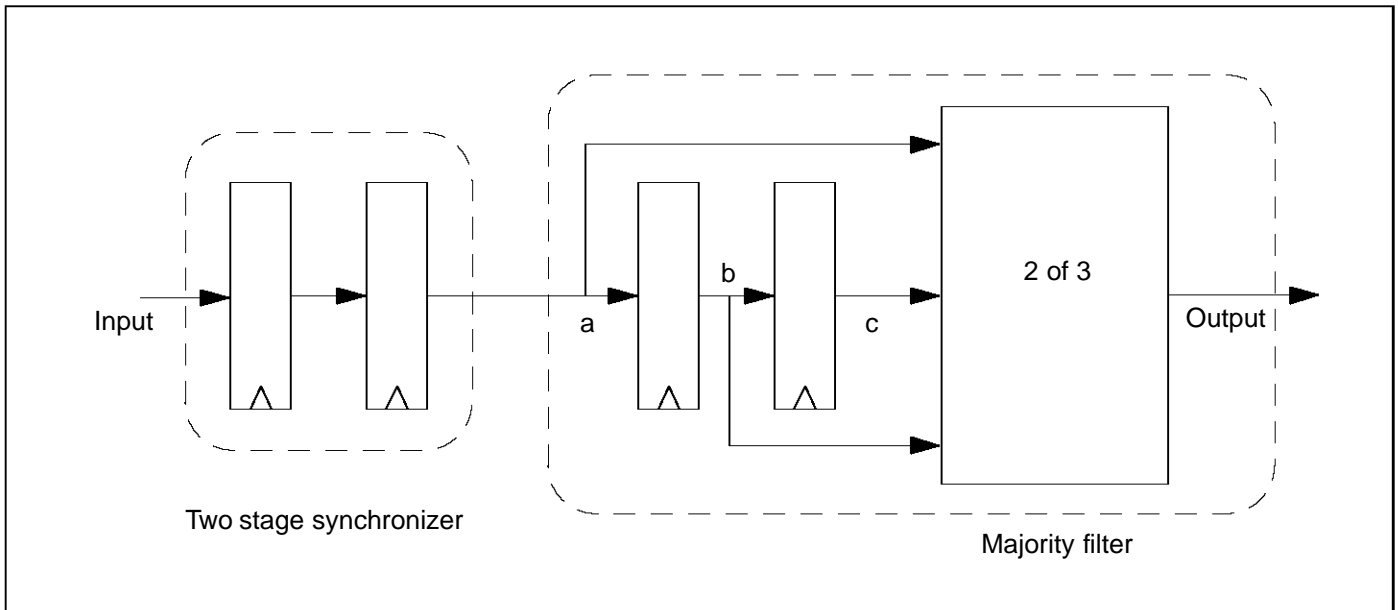


Figure 25.4 Signal filtering

The function of the majority filter is given in Table 25.21, and will remove features in the input signal smaller than the clock period (25 ns at 40 MHz).

Node	Input/output of majority filter							
a	0	1	0	1	0	1	0	1
b	0	0	1	1	0	0	1	1
c	0	0	0	0	1	1	1	1
output	0	0	0	1	0	1	1	1

Table 25.21 Majority filter functionality

26 Configuration register addresses

This chapter lists all the ST20-TP2 configuration registers and gives the addresses of the registers. The complete bit format of each of the registers and its functionality is given in the relevant chapter.

The registers can be examined and set by the *devlw* (device load word) and *devsw* (device store word) instructions. Note, they can not be accessed using memory instructions.

Register	Address	Size	Set	Clear	Read/Write
HandlerWptr0	#20000000	32			R/W
HandlerWptr1	#20000004	32			R/W
HandlerWptr2	#20000008	32			R/W
HandlerWptr3	#2000000C	32			R/W
HandlerWptr4	#20000010	32			R/W
HandlerWptr5	#20000014	32			R/W
HandlerWptr6	#20000018	32			R/W
HandlerWptr7	#2000001C	32			R/W
TriggerMode0	#20000040	3			R/W
TriggerMode1	#20000044	3			R/W
TriggerMode2	#20000048	3			R/W
TriggerMode3	#2000004C	3			R/W
TriggerMode4	#20000050	3			R/W
TriggerMode5	#20000054	3			R/W
TriggerMode6	#20000058	3			R/W
TriggerMode7	#2000005C	3			R/W
Pending	#20000080	8	Interrupt trigger	Interrupt grant	R/W
Set_Pending	#20000084	8			W
Clear_Pending	#20000088	8			W
Mask	#200000C0	17			R/W
Set_Mask	#200000C4	17			W
Clear_Mask	#200000C8	17			W
Exec	#20000100	8	Interrupt valid	Interrupt done	R/W
Set_Exec	#20000104	8			W
Clear_Exec	#20000108	8			W
LPTimerLS	#20000400	32			R/W
LPTimerMS	#20000404	32			R/W

Table 26.1 ST20-TP2 configuration register addresses

Register	Address	Size	Set	Clear	Read/Write
LPTimerStart	#20000408	1		By a write to LPTimerLS or LPTimerMS	R/W
LPAlarmLS	#20000410	32			R/W
LPAlarmMS	#20000414	8			R/W
LPAlarmStart	#20000418	1			R/W
LPSysPll	#20000420	2			R/W
LPDisableLink	#20000428	1			R/W
SysRatio	#20000500	6			R
WdEnable	#20000510	1			R/W
ConfigDataField0	#20002000	32			R/W
ConfigDataField1	#20002004	32			R/W
ConfigDataField2	#20002008	32			R/W
ConfigDataField3	#2000200C	32			R/W
ConfigCommand	#20002010	32			W
ConfigStatus	#20002020	32			R
ASC0BaudRate	#20003000	16			R/W
ASC0TxBuffer	#20003004	16			W
ASC0RxBuffer	#20003008	16			R
ASC0Control	#2000300C	16			R/W
ASC0IntEnable	#20003010	8			R/W
ASC0Status	#20003014	8			R
ASC0GuardTime	#20003018	16			R/W
ASC1BaudRate	#20004000	16			R/W
ASC1TxBuffer	#20004004	16			W
ASC1RxBuffer	#20004008	16			R
ASC1Control	#2000400C	16			R/W
ASC1IntEnable	#20004010	8			R/W
ASC1Status	#20004014	8			R
ASC1GuardTime	#20004018	16			R/W
ASC2BaudRate	#20005000	16			R/W
ASC2TxBuffer	#20005004	16			W
ASC2RxBuffer	#20005008	16			R
ASC2Control	#2000500C	16			R/W
ASC2IntEnable	#20005010	8			R/W

Table 26.1 ST20-TP2 configuration register addresses

Register	Address	Size	Set	Clear	Read/Write
ASC2Status	#20005014	8			R
ASC2GuardTime	#20005018	16			R/W
ASC3BaudRate	#20006000	16			R/W
ASC3TxBuffer	#20006004	16			W
ASC3RxBuffer	#20006008	16			R
ASC3Control	#2000600C	16			R/W
ASC3IntEnable	#20006010	8			R/W
ASC3Status	#20006014	8			R
ASC3GuardTime	#20006018	16			R/W
Sc0ClkVal	#20007000	5			R/W
Sc0ClkCon	#20007004	2			R/W
Sc1ClkVal	#20008000	5			R/W
Sc1ClkCon	#20008004	2			R/W
SSC0BaudRate	#20009000	16			R/W
SSC0TxBuffer	#20009004	16			W
SSC0RxBuffer	#20009008	16			R
SSC0Control	#2000900C	16			R/W
SSC0IntEnable	#20009010	8			R/W
SSC0Status	#20009014	8			R
SSC1BaudRate	#2000A000	16			R/W
SSC1TxBuffer	#2000A004	16			W
SSC1RxBuffer	#2000A008	16			R
SSC1Control	#2000A00C	16			R/W
SSC1IntEnable	#2000A010	8			R/W
SSC1Status	#2000A014	8			R
PWMVal0	#2000B000	8			R/W
PWMVal1	#2000B004	8			R/W
CaptureVal0	#2000B008	32			R
CaptureVal1	#2000B00C	32			R
CaptureControl	#2000B010	32			R/W
CaptureStatus	#2000B014	8			R
CaptureAck	#2000B018	8			W
P0Out	#2000C000	8			R/W
Set_P0Out	#2000C004	8			W

Table 26.1 ST20-TP2 configuration register addresses

Register	Address	Size	Set	Clear	Read/Write
Clear_P0Out	#2000C008	8			W
P0In	#2000C010	8			R
P0C0	#2000C020	8			R/W
Set_P0C0	#2000C024	8			W
Clear_P0C0	#2000C028	8			W
P0C1	#2000C030	8			R/W
Set_P0C1	#2000C034	8			W
Clear_P0C1	#2000C038	8			W
P0C2	#2000C040	8			R/W
Set_P0C2	#2000C044	8			W
Clear_P0C2	#2000C048	8			W
P0Comp	#2000C050	8			R/W
Set_P0Comp	#2000C054	8			W
Clear_P0Comp	#2000C058	8			W
P0Mask	#2000C060	8			R/W
Set_P0Mask	#2000C064	8			W
Clear_P0Mask	#2000C068	8			W
P1Out	#2000D000	8			R/W
Set_P1Out	#2000D004	8			W
Clear_P1Out	#2000D008	8			W
P1In	#2000D010	8			R
P1C0	#2000D020	8			R/W
Set_P1C0	#2000D024	8			W
Clear_P1C0	#2000D028	8			W
P1C1	#2000D030	8			R/W
Set_P1C1	#2000D034	8			W
Clear_P1C1	#2000D038	8			W
P1C2	#2000D040	8			R/W
Set_P1C2	#2000D044	8			W
Clear_P1C2	#2000D048	8			W
P1Comp	#2000D050	8			R/W
Set_P1Comp	#2000D054	8			W
Clear_P1Comp	#2000D058	8			W
P1Mask	#2000D060	8			R/W

Table 26.1 ST20-TP2 configuration register addresses

Register	Address	Size	Set	Clear	Read/ Write
Set_P1Mask	#2000D064	8			W
Clear_P1Mask	#2000D068	8			W
P2Out	#2000E000	8			R/W
Set_P2Out	#2000E004	8			W
Clear_P2Out	#2000E008	8			W
P2In	#2000E010	8			R
P2C0	#2000E020	8			R/W
Set_P2C0	#2000E024	8			W
Clear_P2C0	#2000E028	8			W
P2C1	#2000E030	8			R/W
Set_P2C1	#2000E034	8			W
Clear_P2C1	#2000E038	8			W
P2C2	#2000E040	8			R/W
Set_P2C2	#2000E044	8			W
Clear_P2C2	#2000E048	8			W
P2Comp	#2000E050	8			R/W
Set_P2Comp	#2000E054	8			W
Clear_P2Comp	#2000E058	8			W
P2Mask	#2000E060	8			R/W
Set_P2Mask	#2000E064	8			W
Clear_P2Mask	#2000E068	8			W
P3Out	#2000F000	8			R/W
Set_P3Out	#2000F004	8			W
Clear_P3Out	#2000F008	8			W
P3In	#2000F010	8			R
P3C0	#2000F020	8			R/W
Set_P3C0	#2000F024	8			W
Clear_P3C0	#2000F028	8			W
P3C1	#2000F030	8			R/W
Set_P3C1	#2000F034	8			W
Clear_P3C1	#2000F038	8			W
P3C2	#2000F040	8			R/W
Set_P3C2	#2000F044	8			W
Clear_P3C2	#2000F048	8			W

Table 26.1 ST20-TP2 configuration register addresses

Register	Address	Size	Set	Clear	Read/ Write
P3Comp	#2000F050	8			R/W
Set_P3Comp	#2000F054	8			W
Clear_P3Comp	#2000F058	8			W
P3Mask	#2000F060	8			R/W
Set_P3Mask	#2000F064	8			W
Clear_P3Mask	#2000F068	8			W
P4Out	#20010000	8			R/W
Set_P4Out	#20010004	8			W
Clear_P4Out	#20010008	8			W
P4In	#20010010	8			R
P4C0	#20010020	8			R/W
Set_P4C0	#20010024	8			W
Clear_P4C0	#20010028	8			W
P4C1	#20010030	8			R/W
Set_P4C1	#20010034	8			W
Clear_P4C1	#20010038	8			W
P4C2	#20010040	8			R/W
Set_P4C2	#20010044	8			W
Clear_P4C2	#20010048	8			W
P4Comp	#20010050	8			R/W
Set_P4Comp	#20010054	8			W
Clear_P4Comp	#20010058	8			W
P4Mask	#20010060	8			R/W
Set_P4Mask	#20010064	8			W
Clear_P4Mask	#20010068	8			W
Int0Priority	#20011000	3			R/W
Int1Priority	#20011004	3			R/W
Int2Priority	#20011008	3			R/W
Int3Priority	#2001100C	3			R/W
Int4Priority	#20011010	3			R/W
Int5Priority	#20011014	3			R/W
Int6Priority	#20011018	3			R/W
Int7Priority	#2001101C	3			R/W
Int8Priority	#20011020	3			R/W

Table 26.1 ST20-TP2 configuration register addresses

Register	Address	Size	Set	Clear	Read/Write
Int9Priority	#20011024	3			R/W
Int10Priority	#20011028	3			R/W
Int11Priority	#2001102C	3			R/W
Int12Priority	#20011030	3			R/W
Int13Priority	#20011034	3			R/W
Int14Priority	#20011038	3			R/W
Int15Priority	#2001103C	3			R/W
Int16Priority	#20011040	3			R/W
Int17Priority	#20011044	3			R/W
InputInterrupts	#20011048	18			R
SelectnotInv	#2001104C	4			R/W
ExtIntEnable	#20011050	4			R/W
MPEG0BurstSize	#20020000	8			W
MPEG0Holdoff	#20020004	8			W
MPEG0Suspend	#20020008	8			W
MPEG1BurstSize	#20021000	8			W
MPEG1Holdoff	#20021004	8			W
MPEG1Suspend	#20021008	8			W
DVBCDest	#20022000	32			W
DVBCKeyLSW	#20022008	32			W
DVBCKeyMSW	#2002200C	32			W
TtxtDmaAddress	#20024000	32			R/W
TtxtDmaCount	#20024004	11			R/W
TtxtOutDelay	#20024008	4			R/W
TtxtInStartLine	#2002400C	9			R/W
TtxtInCbDelay	#20024010	9			R/W
TtxtMode	#20024014	2			R/W
TtxtIntStatus	#20024018	3			R
TtxtIntEnable	#2002401C	3			R/W
TtxtAckOddEven	#20024020	-			W
TtxtAbort	#20024024	-			W
I1284ModeEnable	#20025000	8			W
I1284PulseWidth	#20025004	8			W
I1284Control	#20025008	8			W

Table 26.1 ST20-TP2 configuration register addresses

Register	Address	Size	Set	Clear	Read/ Write
I1284Status	#2002500C	9			R
I1284PinIn	#20025010	5			R
I1284PinInEnable	#20025014	5			R/W
I1284PinInValue	#20025018	5			R/W
I1284PinOut	#2002501C	7			R/W
I1284DataIn	#20025020	9			R
I1284DataOut	#20025024	9			W
I1284Checksum	#20025028	8			R
I1284PacketSize	#2002502C	12			W
I1284DmaToken	#20025030	2			R/W
I1284DmaAddress	#20025040	32			W
I1284DmaCount	#20025044	16			R/W
I1284DmaControl	#20025048	3			R/W
I1284IntEnable	#2002504C	9			R/W
I1284IntStatus	#20025050	9			R
I1284IntAck	#20025054	9			W
BMDmaAddress	#20026000	32			W
SFFilterDataLS0-31	#20027000 + #000 to 1F0 + #00	32			R/W
SFFilterMaskLS0-31	#20027000 + #000 to 1F0 + #04	32			R/W
SFFilterDataMS0-31	#20027000 + #000 to 1F0 + #08	32			R/W
SFFilterMaskMS0-31	#20027000 + #000 to 1F0 + #0C	32			R/W
SFDmaAddress	#20027200	32			R/W
SFMode	#20027204	2			R/W
SFStart	#20027208	8			R/W
SFStatus	#2002720C	7			R
SFMatch	#20027210	32			R
SFMatchMask	#20027214	32			R/W

Table 26.1 ST20-TP2 configuration register addresses

Register	Address	Size	Set	Clear	Read/ Write
SFPartRemainder	#20027218	32			R/W
SFSectionLength	#2002721C	12			R/W
SFDataToMatch	#20027220	32			R/W

Table 26.1 ST20-TP2 configuration register addresses

27 Device configuration

This section gives the assignments of functions to shared pins and the assignment of interrupts to peripherals.

27.1 PIO pins and alternate functions

To allow the flexibility for the ST20-TP2 to fit into different set-top box application architectures, the input and output signals from some of the peripherals are not directly connected to the pins of the device. Instead they are assigned to the alternate function inputs and outputs of a PIO port bit.

This scheme allows these pins of the device to be configured as general purpose PIO if the associated peripheral input or output is not required in the application.

Peripheral inputs connected to the alternate function input of a PIO bit are connected to the input pin all the time. The output signal from a peripheral is only connected when the PIO bit is configured into either push-pull or open drain driver alternate function mode.

Table 27.1 shows the assignment of the alternate functions to the PIO bits.

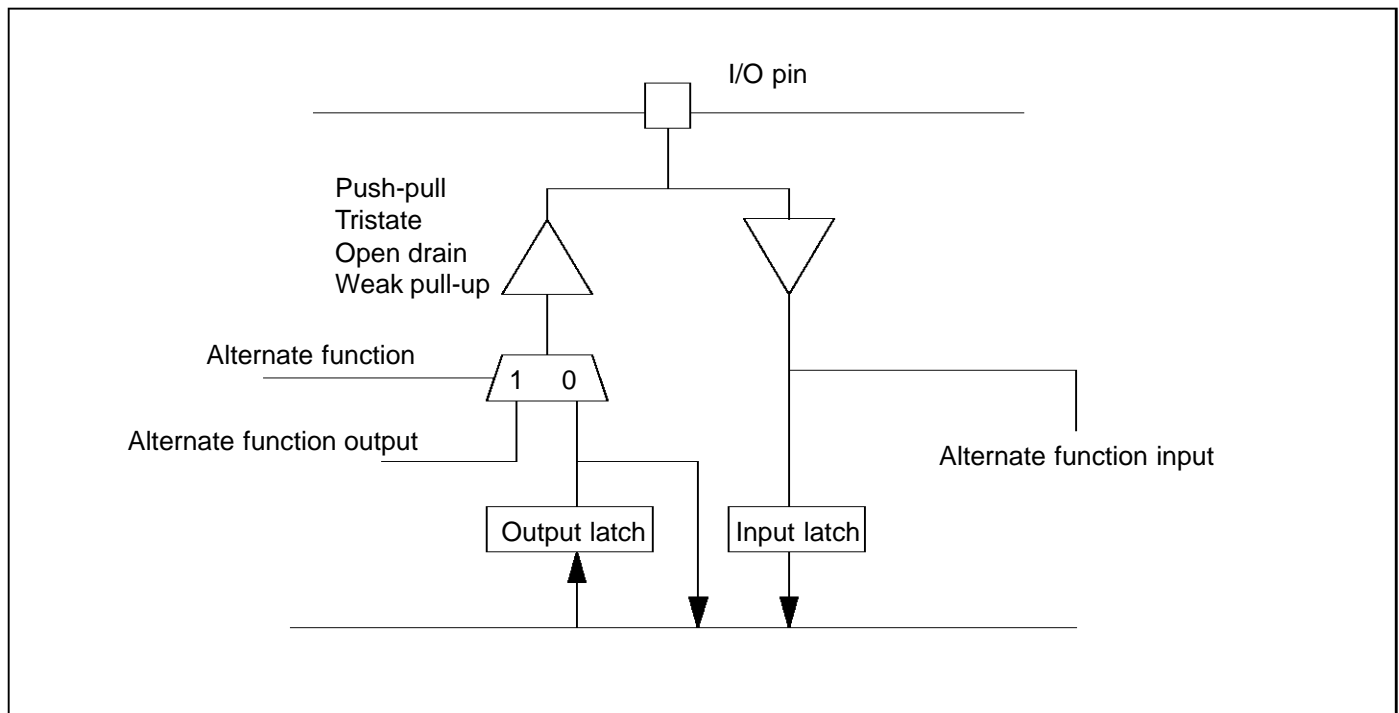


Figure 27.1 I/O port pin

Port bit	Alternate function
Port 0 Bit 0	ASC0 TXD (Sc1DataOut)
Port 0 Bit 1	ASC0 RXD (Sc1DataIn)
Port 0 Bit 2	Sc1ClkGenExtClk
Port 0 Bit 3	Sc1Clk
Port 0 Bit 4	(Sc1RST)
Port 0 Bit 5	(Sc1CmdVcc)
Port 0 Bit 6	ASC2 notOE (ScCmdVpp)
Port 0 Bit 7	(Sc1Detect)
Port 1 Bit 0	SSC0 MTSR
Port 1 Bit 1	SSC0 MRST
Port 1 Bit 2	SSC0 SCIk
Port 1 Bit 3	PWMOut0
Port 1 Bit 4	PWMOut1
Port 1 Bit 5	ASC1 TXD
Port 1 Bit 6	ASC1 RXD
Port 1 Bit 7	-
Port 2 Bit 0	ASC2 TXD (Sc0DataOut)
Port 2 Bit 1	ASC2 RXD (Sc0DataIn)
Port 2 Bit 2	Sc0ClkGenExtClk
Port 2 Bit 3	Sc0Clk
Port 2 Bit 4	(Sc0RST)
Port 2 Bit 5	(Sc0CmdVcc)
Port 2 Bit 6	ASC2 notOE (ScCmdVpp)
Port 2 Bit 7	(Sc0Detect)
Port 3 Bit 0	SSC1 MTSR
Port 3 Bit 1	SSC1 MRST
Port 3 Bit 2	SSC1 SCIk
Port 3 Bit 3	CaptureIn0
Port 3 Bit 4	CaptureIn1
Port 3 Bit 5	CaptureClk0
Port 3 Bit 6	CaptureClk1
Port 3 Bit 7	1284Out
Port 4 Bit 0	ASC3 TXD
Port 4 Bit 1	ASC3 RXD
Port 4 Bit 2	Teletext clock
Port 4 Bit 3	1284PeriphLogicH
Port 4 Bit 4	1284HostLogicH
Port 4 Bit 5	Interrupt2
Port 4 Bit 6	Interrupt3
Port 4 Bit 7	<i>Not available</i>

Table 27.1 PIO port alternate function assignments

() indicates suggested or possible pin function

27.2 Interrupt assignments

The interrupts from the peripherals on the ST20-TP2 are assigned as follows:

Interrupt	Peripheral	Signals ORed together to generate interrupt signal
0	Port 0	Compare function
1	Port 1	Compare function
2	Port 2	Compare function
3	Port 3	Compare function
4	Port 4	Compare function
5	SSC0	SSC0TxBufEmpty, SSC0RxBufFull, SSC0ErrorInterrupt
6	SSC1	SSC1TxBufEmpty, SSC1RxBufFull, SSC1ErrorInterrupt
7	ASC3	ASC3TxBufEmpty, ASC3TxEmpty, ASC3RxBufFull, ASC3ErrorInterrupt
8	ASC2	ASC2TxBufEmpty, ASC2TxEmpty, ASC2RxBufFull, ASC2ErrorInterrupt
9	ASC1	ASC1TxBufEmpty, ASC1TxEmpty, ASC1RxBufFull, ASC1ErrorInterrupt
10	ASC0	ASC0TxBufEmpty, ASC0TxEmpty, ASC0RxBufFull, ASC0ErrorInterrupt
11	PWM and Capture	PWM0Int, PWM1Int, Capture0Int, Capture1Int
12	1284 port	1284 interrupt, see Table 25.19 on page 164.
13	Teletext	Teletext interrupt, Table 23.9 on page 139.
14	Interrupt0 pin	
15	Interrupt1 pin	
16	Interrupt2 pin (PIO4[5])	
17	Interrupt3 pin (PIO4[6])	

Table 27.2 Interrupt assignments

These interrupts are inputs to the interrupt level controller, see Chapter 5 on page 33 for details. This allows these interrupts to be assigned to any of eight interrupt priority levels and for multiple interrupts to share a priority level.

28 Pin list

Signal names are prefixed by **not** if they are active low, otherwise they are active high.

States during and after assertion of **notRST** are given for output pins. Codes are as follows: 0 = low; 1 = high; Z = tristate; X = unknown; H = high if not forced from outside (weak pullup).

The state of all pins when the VDD power supply is outside the operating range, or before **notRST** is asserted, is undefined.

Supplies

Pin	In/Out	Function
VDD		Power supply
GND		Ground

Table 28.1 ST20-TP2 supply pins

System

Pin	In/Out	Function
ClockIn	in	System input clock - PLL or TimesOneMode
SpeedSelect0-1	in	PLL speed selector

Table 28.2 ST20-TP2 system services pins

Reset

Pin	In/Out	Function	Reset state	
			During	After
notRST	in	Reset		
CPUReset	in	System reset		
CPUAnalyse	in	Error analysis		
ErrorOut	out	Error indicator	0	0

Table 28.3 ST20-TP2 Reset pins

Clocks

Pin	In/Out	Function	Reset state	
			During	After
LPClockIn	in	Low power input clock		
LPClockOsc	in/out	Low power clock oscillator	-	-
RTCVDD	in	Real time clock supply		
notWdReset	out	Watchdog timer reset	1†	1†

Table 28.4 ST20-TP2 clock pins

†Once LPClock is running. When LPClock is not running the state is unknown.

Interrupts

Pin	In/Out	Function
Interrupt0-1	in	Interrupt

Table 28.5 ST20-TP2 interrupt pins

Link

Pin	In/Out	Function	Reset state	
			During	After
LinkIn	in	Serial data input channel		
LinkOut	out	Serial data output channel	0	0

Table 28.6 ST20-TP2 link pins

Memory

Pin	In/Out	Function	Reset state	
			During	After
MemAddr2-23	out	Address bus	Z	0
MemData0-31	in/out	Data bus. Data0 is the least significant bit (LSB) and Data31 is the most significant bit (MSB).	Z	Z
notMemRd	out	Read strobe	0†	1
MemReq	in	Direct memory access request		
MemGrant	out	Direct memory access granted	0†	0
notMemRf	out	Dynamic memory refresh indicator	0†	1
MemWait	in	Memory cycle extender		
notMemCAS0-3	out	CAS strobes – banks 0-3 or bytes 0-3	1	1
notMemRAS0/1/3	out	RAS strobes – banks 0, 1, 3	1	1
notMemPS0/1/3	out	Programmable strobes – banks 0, 1, 3	1	1
notMemBE0-3	out	Byte enable strobes – banks 0-3	1	1
notCS0-1	out	MPEG ICs chip select	1	1
notCDSTRB0-1	out	MPEG ICs compressed data strobe	1	1
BootSource0-1	in	Boot from ROM or from link		
ProcClkOut	out	Processor clock	0	0

Table 28.7 ST20-TP2 memory pins

†If clocks are running. If clocks are not running the state is unknown.

DMA control

Pin	In/Out	Function
notCDREQ0-1	in	MPEG IC compressed data request

Table 28.8 ST20-TP2 DMA control pins

Link IC

Pin	In/Out	Function
LByteClk	in	Link IC byte clock
LByteClkValid	in	Link IC byte clock valid edge
LData0-7	in	Link IC data
LError	in	Link IC packet error
LPacketClk	in	Link IC packet strobe

Table 28.9 ST20-TP2 link IC pins

Teletext interface

Pin	In/Out	Function	Reset state	
			During	After
TtxtData	in/out	Teletext serial data	Z	Z
TtxtEvennotOdd	in	Teletext even not odd		
TtxtRequest	in	Teletext serial data request input. This becomes the hsync signal when the teletext interface is operating in the IN mode.		

Table 28.10 ST20-TP2 teletext interface pins

1284 port

Pin	In/Out	Function	Reset state	
			During	After
1284Data0-7	in/out	1284 data	Z	Z

Table 28.11 ST20-TP2 1284 port pins

1284notSelectIn	in	The function of these control pins is dependent on the mode of operation of the 1284 port, Chapter 25.		
1284notInIt	in			
1284notFault	out		0	0
1284notAutoFd	in			
1284Select	out		0	0
1284PErrOr/ TsByteClkValid	out		0	0
1284Busy/ TsPacketClk	out		0	0
1284notAck/ TsByteClk	out		0	0
1284notStrobe	in			

Table 28.11 ST20-TP2 1284 port pins

Test Access Port (TAP)

Pin	In/Out	Function	Reset state	
			During	After
TDI	in	Test data input	Z	Z
TDO	out	Test data output		
TMS	in	Test mode select		
TCK	in	Test clock		
notTRST	in	Test logic reset		

Table 28.12 ST20-TP2 TAP pins

Parallel Input/Output

Pin	In/Out	Function	Reset state	
			During	After
PIO0[0-7]	in/out	Parallel input/output pin or alternate function (see Table 27.1).	H	H
PIO1[0-7]	in/out	Parallel input/output pin or alternate function (see Table 27.1).	H	H
PIO2[0-7]	in/out	Parallel input/output pin or alternate function (see Table 27.1).	H	H
PIO3[0-7]	in/out	Parallel input/output pin or alternate function (see Table 27.1).	H	H
PIO4[0-6]	in/out	Parallel input/output pin or alternate function (see Table 27.1).	H	H

Table 28.13 ST20-TP2 PIO pins

Alternate functions are described in section 27.1.

29 Package specifications

The ST20-TP2 will be available in a 208 pin plastic quad flat pack (PQFP) package.

29.1 ST20-TP2 package pinout

Pin	Pin name	I/O
1	MemAddr2	O
2	MemAddr3	O
3	GND	
4	MemAddr4	O
5	MemAddr5	O
6	MemAddr6	O
7	MemAddr7	O
8	VDD	
9	MemAddr8	O
10	MemAddr9	O
11	MemAddr10	O
12	MemAddr11	O
13	GND	
14	MemAddr12	O
15	MemAddr13	O
16	MemAddr14	O
17	MemAddr15	O
18	VDD	
19	MemAddr16	O
20	MemAddr17	O
21	MemAddr18	O
22	MemAddr19	O
23	GND	
24	MemAddr20	O
25	MemAddr21	O
26	MemAddr22	O
27	MemAddr23	O
28	VDD	
29	MemData0	I/O

Table 29.1 ST20-TP2 pin allocation

Pin	Pin name	I/O
30	MemData1	I/O
31	MemData2	I/O
32	MemData3	I/O
33	GND	
34	MemData4	I/O
35	MemData5	I/O
36	MemData6	I/O
37	MemData7	I/O
38	VDD	
39	MemData8	I/O
40	MemData9	I/O
41	MemData10	I/O
42	MemData11	I/O
43	GND	
44	MemData12	I/O
45	MemData13	I/O
46	MemData14	I/O
47	MemData15	I/O
48	VDD	
49	MemData16	I/O
50	MemData17	I/O
51	MemData18	I/O
52	MemData19	I/O
53	GND	
54	MemData20	I/O
55	MemData21	I/O
56	MemData22	I/O
57	MemData23	I/O
58	VDD	
59	MemData24	I/O
60	MemData25	I/O
61	MemData26	I/O
62	MemData27	I/O
63	GND	
64	MemData28	I/O

Table 29.1 ST20-TP2 pin allocation

Pin	Pin name	I/O
65	MemData29	I/O
66	MemData30	I/O
67	MemData31	I/O
68	VDD	
69	LData0	I
70	LData1	I
71	LData2	I
72	LData3	I
73	LData4	I
74	LData5	I
75	LData6	I
76	LData7	I
77	VDD	
78	LByteClk	I
79	LByteClkValid	I
80	LPacketClk	I
81	LError	I
82	GND	
83	1284notSelectIn	I
84	1284notInit	I
85	1284notFault	O
86	1284notAutoFd	I
87	VDD	
88	1284Select	O
89	1284PErrror/TSByteClkValid	O
90	1284Busy/TSPacketClk	O
91	1284notAck/TSByteClk	O
92	GND	
93	1284Data7	I/O
94	1284Data6	I/O
95	1284Data5	I/O
96	1284Data4	I/O
97	VDD	
98	1284Data3	I/O
99	1284Data2	I/O

Table 29.1 ST20-TP2 pin allocation

Pin	Pin name	I/O
100	1284Data1	I/O
101	1284Data0	I/O
102	GND	
103	1284notStrobe	I
104	Interrupt0	I
105	Interrupt1	I
106	TtxtEvennotOdd	I
107	TtxtRequest	I
108	TtxtData	I/O
109	VDD	
110	ClockIn	I
111	SpeedSelect0	I
112	SpeedSelect1	I
113	LPClockOsc	
114	LPClockIn	
115	RTCVDD	
116	notRST	I
117	CPUAnalyse	I
118	GND	
119	CPUReset	I
120	ErrorOut	O
121	TDI	I
122	TMS	I
123	TCK	I
124	notTRST	I
125	TDO	O
126	LinkIn	I
127	LinkOut	O
128	VDD	
129	PIO0<0>	I/O
130	PIO0<1>	I/O
131	PIO0<2>	I/O
132	PIO0<3>	I/O
133	PIO0<4>	I/O
134	PIO0<5>	I/O

Table 29.1 ST20-TP2 pin allocation

Pin	Pin name	I/O
135	PIO0<6>	I/O
136	PIO0<7>	I/O
137	GND	
138	PIO1<0>	I/O
139	PIO1<1>	I/O
140	PIO1<2>	I/O
141	PIO1<3>	I/O
142	PIO1<4>	I/O
143	PIO1<5>	I/O
144	VDD	
145	PIO1<6>	I/O
146	PIO1<7>	I/O
147	PIO2<0>	I/O
148	PIO2<1>	I/O
149	PIO2<2>	I/O
150	PIO2<3>	I/O
151	PIO2<4>	I/O
152	GND	
153	PIO2<5>	I/O
154	PIO2<6>	I/O
155	PIO2<7>	I/O
156	PIO3<0>	I/O
157	PIO3<1>	I/O
158	PIO3<2>	I/O
159	PIO3<3>	I/O
160	PIO3<4>	I/O
161	VDD	
162	PIO3<5>	I/O
163	PIO3<6>	I/O
164	PIO3<7>	I/O
165	PIO4<0>	I/O
166	PIO4<1>	I/O
167	PIO4<2>	I/O
168	PIO4<3>	I/O
169	PIO4<4>	I/O

Table 29.1 ST20-TP2 pin allocation

Pin	Pin name	I/O
170	notWdReset	O
171	GND	
172	PIO4<5>	I/O
173	PIO4<6>	I/O
174	notCDREQ0	I
175	notCDREQ1	I
176	VDD	
177	MemReq	I
178	MemGrant	O
179	notMemRd	O
180	notMemRf	O
181	MemWait	I
182	BootSource0	I
183	BootSource1	I
184	GND	
185	ProcClockOut	O
186	VDD	
187	notCS0	O
188	notCS1	O
189	notCDSTRB0	O
190	notCDSTRB1	O
191	GND	
192	notMemBE0	O
193	notMemBE1	O
194	notMemBE2	O
195	notMemBE3	O
196	VDD	
197	notMemPS0	O
198	notMemPS1	O
199	notMemPS3	O
200	notMemRAS0	O
201	GND	
202	notMemRAS1	O
203	notMemRAS3	O

Table 29.1 ST20-TP2 pin allocation

Pin	Pin name	I/O
204	notMemCAS0	O
205	notMemCAS1	O
206	VDD	
207	notMemCAS2	O
208	notMemCAS3	O

Table 29.1 ST20-TP2 pin allocation

29.2 208 pin PQFP package dimensions

REF.	CONTROL DIM. mm		
	NOM	MIN	MAX
A			4.10
A1		0.25	
A2	3.40	3.20	3.60
B		0.17	0.27
C		0.09	0.20
D	30.60		
D1	28.00		
D3	25.50		
E	30.60		
E1	28.00		
E3	25.50		
e	0.50		
K	3.5d	0d	7d
L	0.60	0.45	0.75
L1	1.30		

Table 29.2 208 pin PQFP package dimensions

Notes

- 1 Lead finish to be 85 Sn/15 Pb solder plate.

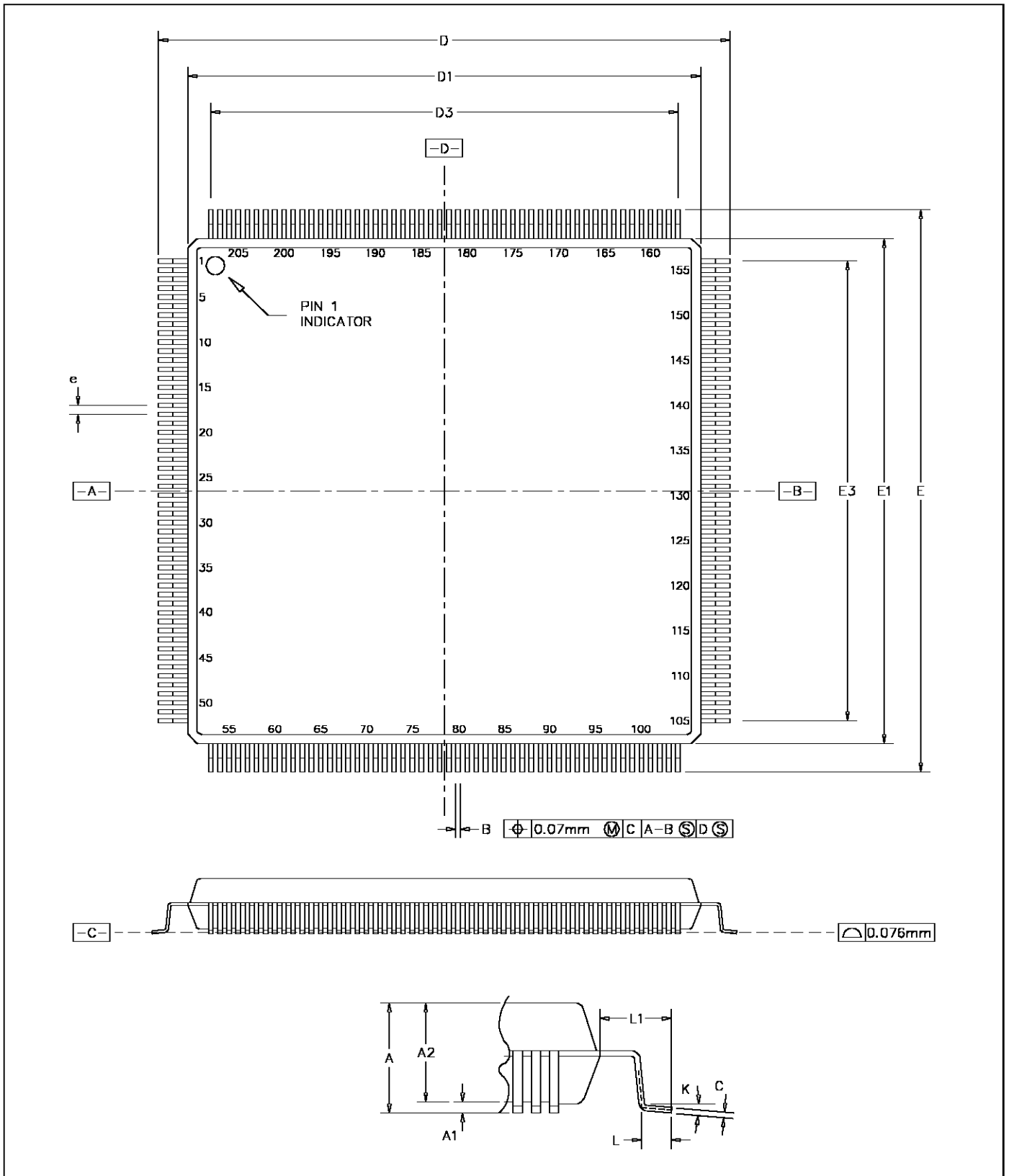


Figure 29.1 208 pin PQFP package dimensions

30 Electrical specifications

30.1 Absolute maximum ratings

Symbol	Parameter	Min	Max	Units
VDDmax	DC supply voltage		4.5	V
VImax	Voltage on input and bi-directional pins	GND-0.6	5.75	V
VOmax	Voltage on output pins	GND-0.6	VDD+0.6	V
IOmax	DC output current		25	mA
TSmax	Storage temperature (ambient)	-55	125	°C
TAmx	Temperature under bias (ambient)	-55	125	°C

Table 30.1 Absolute maximum ratings

Note: Stresses greater than those listed under 'Absolute maximum ratings' may cause permanent damage to the device. This is a stress rating only and functional operation of the device at these or any other conditions above those indicated in the operating sections of this specification is not implied. Exposure to absolute maximum rating conditions for extended periods may affect reliability.

30.2 Operating conditions

Symbol	Parameter	Min	Max	Units	Notes
VI, VO	Input or output voltage	0	5.75	V	1
CL	Load capacitance per pin		60	pF	2
CLD	Load capacitance per data pin		60	pF	
CLA	Load capacitance per address/strobe pin		100	pF	
CLP	Load capacitance per PIO pin		400	pF	
TA	Operating temperature (ambient)	0	70	°C	
PD	Power dissipation		2.4	W	3
PDlp	Power dissipation (low power mode)		400	mW	4
PDpd	Power dissipation (power down mode)		5	mW	5

Table 30.2 Operating conditions

Notes

- Excursions beyond the supplies are permitted but not recommended.
- Excluding **LinkOut** load capacitance and EMI pin load capacitance.
- Measured at 50 MHz with no static loads on the EMI pins and with a 40 pF load on all output pins.
- Power supplied to both RTCVdd and Vdd supplies and PLL still running, but internal clocks stopped.
- Power removed from Vdd but power remaining on RTCVdd to allow the real time clock to continue operating.

30.3 DC specifications

Symbol	Parameter	Min	Typical	Max	Units	Notes
VDD	Positive supply voltage	3.0	3.3	3.6	V	
V _{IH}	Input logic 1 voltage	2.0		5.75	V	
V _{IL}	Input logic 0 voltage	-0.5		0.8	V	
I _{IN}	Input current (input pin)			±10	μA	1
I _{OZ}	Off state digital output current			±50	μA	2
I _{OZPIO}	Peak off state PIO input/output current			±200	μA	3
I _{OZEMI}	Peak off state EMI input/output current			1	mA	3
I _{wpPIO}	Input weak pull-up current on PIO pins			30	μA	4
V _{OH}	Output logic 1 voltage	2.4			V	5
V _{OL}	Output logic 0 voltage			0.4	V	5
C _{IN}	Input capacitance (input pins)			10	pF	
C _{IO}	Input capacitance (bi-directional pins)			15	pF	
C _{OUT}	Output capacitance			15	pF	

Table 30.3 DC specifications

Notes

- 1 $0 \leq V_I \leq 5.5$
- 2 $0 \leq V_I \leq V_{DD}$ and $4.5 < V_I < 5.5$
- 3 $V_{DD} \leq V_I \leq 4.5V$
- 4 $0 \leq V_I \leq V_{DD}$
- 5 $I_{load} = 14 \text{ mA}$ for IEEE1284, 4 mA for PIO, 2 mA for all other outputs

31 Timing specifications

31.1 EMI timings

The timings are based on the following loading conditions: 40 pF load with the pad drive strengths (refer to EMI chapter for details on the pad drive strength) as follows:

Address pin drive strength at level 1

Strobe pin drive strength at level 1

Data pin drive strength at level 3

The 'Reference Clock' used in the EMI timings is a virtual clock and is defined as the point at which all positively edged EMI strobe and address outputs are valid. This is designed to remove process dependent skews from the datasheet description and highlight the dominant influence of address and strobe timings on memory system design.

All timing measurements are taken using an output threshold of 1.5V unless otherwise stated.

The reference clock duty cycle is 50:50.

Symbol	Parameter	Min	Max	Units	Note
tCHAV	Reference Clock high to Address valid	-8.0	0.0	ns	
tCLSV	Reference Clock low to Strobe valid	-8.0	3.0	ns	
tCHSV	Reference Clock high to Strobe valid	-8.0	0.0	ns	
trDVCH	Read Data valid to Reference Clock high	15.0		ns	
tCHRDX	Read Data hold after Reference Clock high		-2.0	ns	
tsVRDX	Read Data hold after Strobe valid	0.0		ns	1
tCLWDV	Reference Clock low to Write Data valid	-10.0	11.0	ns	1
tCHWDV	Reference Clock high to Write Data valid	-8.0	6.0	ns	1
tCHRSV	Reference Clock high to remaining Strobes valid	-8.0	3.0	ns	
tCHPH	Reference Clock high to ProcClkOut high	-8.0	3.0	ns	
twVCH	MemWait valid to Reference Clock high	15.0		ns	
tCHWX	MemWait hold after Reference Clock high		-2.0	ns	
trVCH	MemReq valid to Reference Clock high	15.0		ns	
tCHRX	MemReq hold after Reference Clock high		-2.0	ns	
tpHWX	MemWait hold after ProcClkOut high	0.0		ns	1
tpHRX	MemReq hold after ProcClkOut high	0.0		ns	1

Table 31.1 EMI cycle timings

Notes

- 1 Minimum values are guaranteed by design.

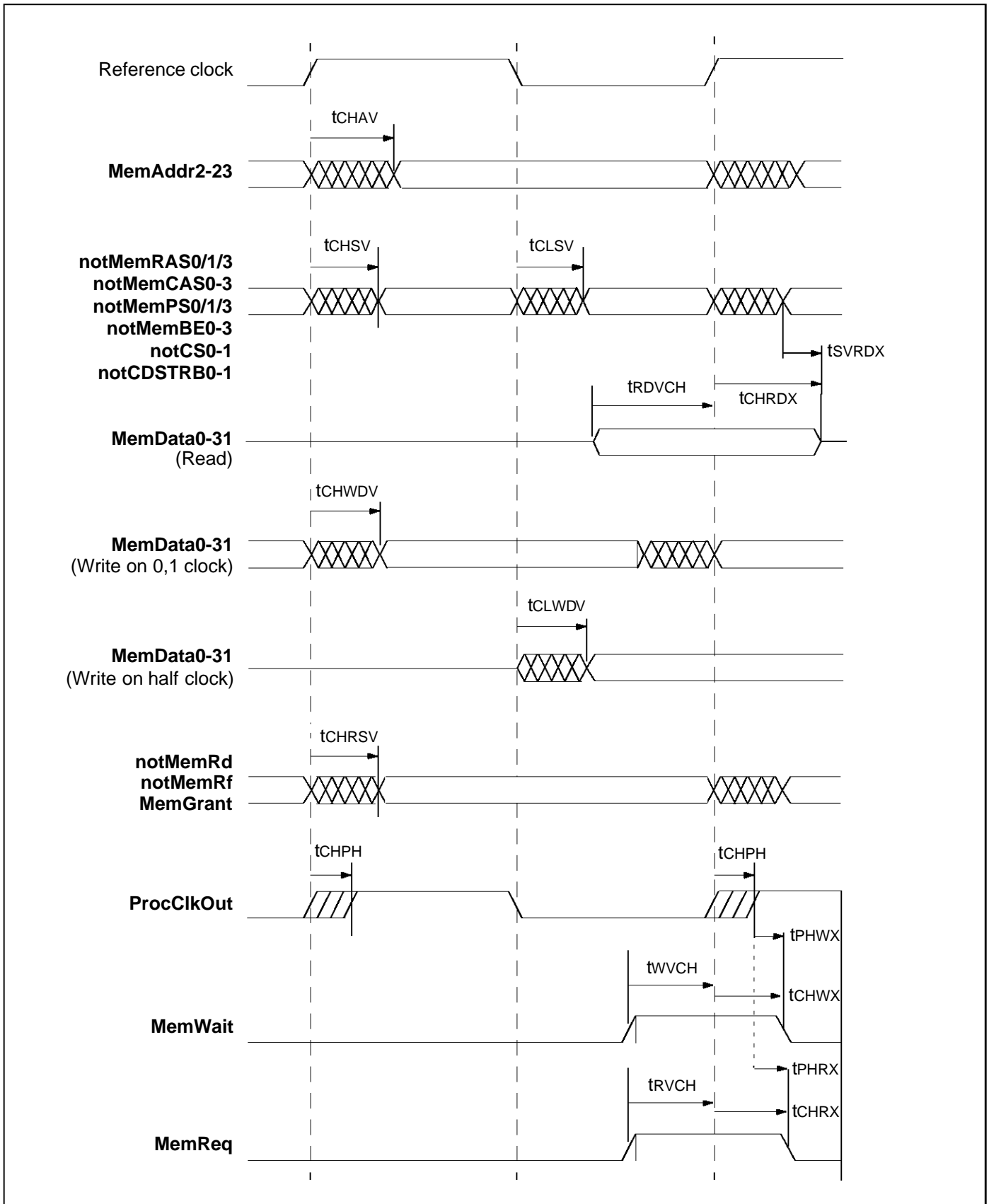


Figure 31.1 EMI timings

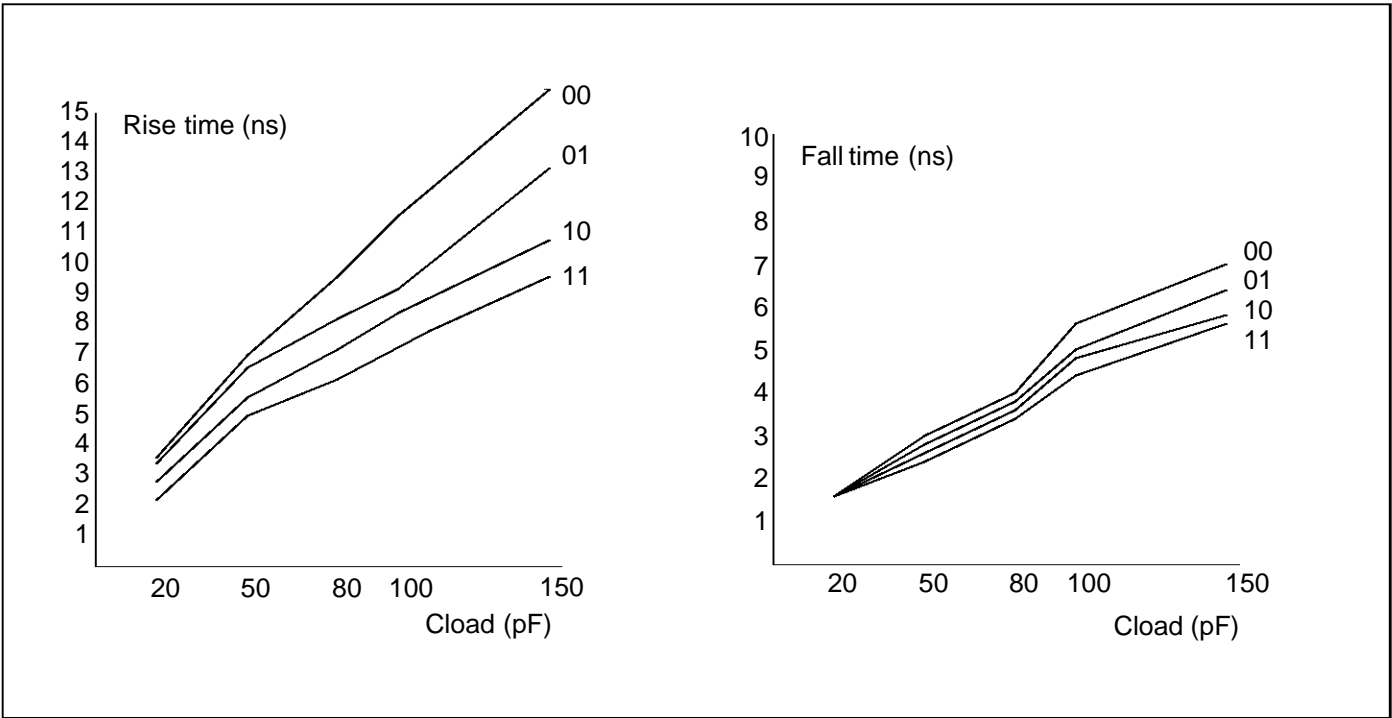


Figure 31.2 Rise and fall times for **data** pins for different pad drive strengths

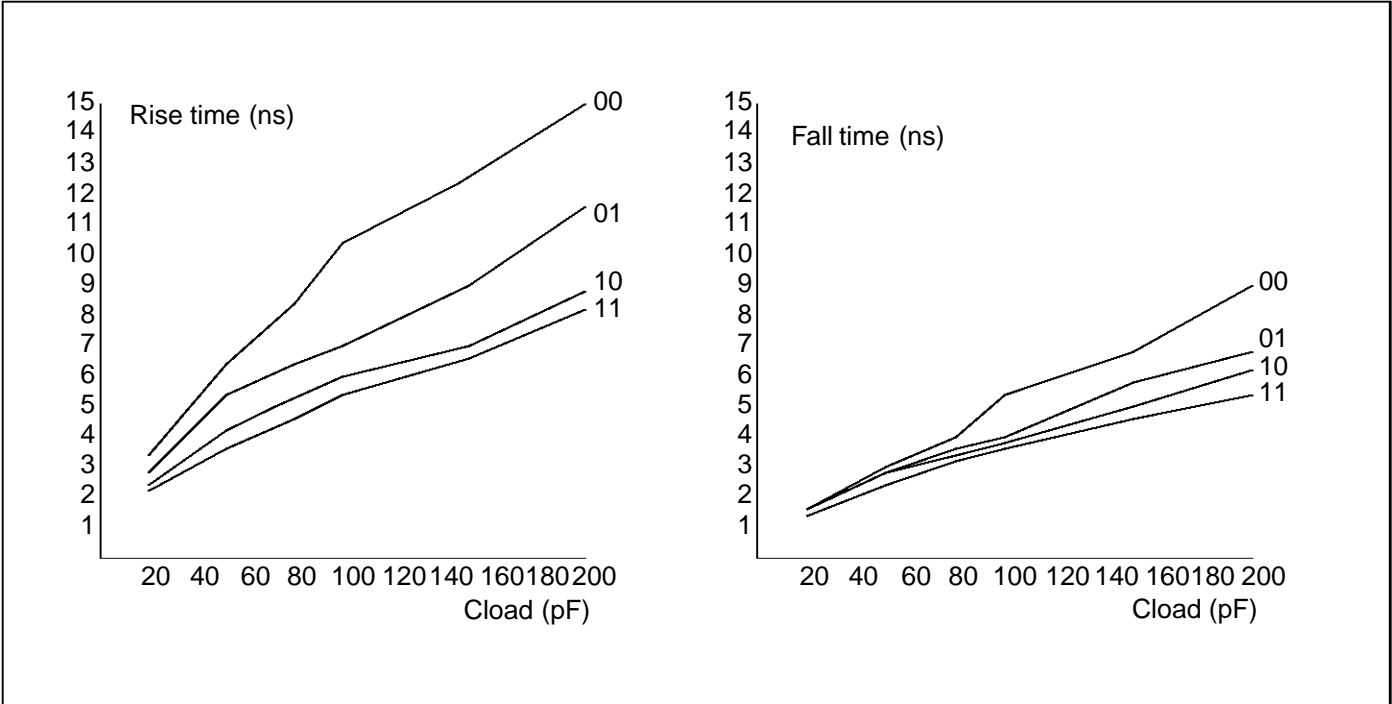


Figure 31.3 Rise and fall times for **address** and **strobe** pins for different pad drive strengths

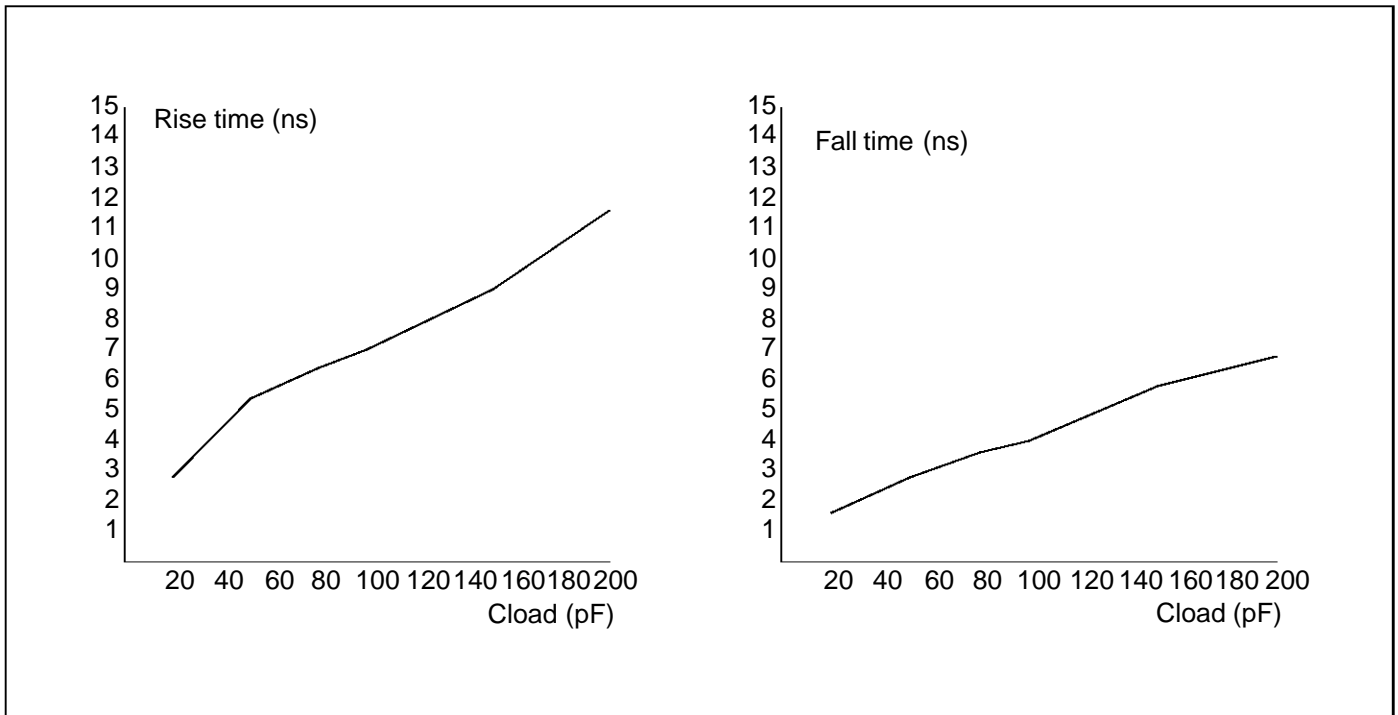


Figure 31.4 Rise and fall times for ProcClkOut

All rise and fall times are measured at 10 – 90%, on typical silicon at 3.3 V, 25°C.

31.2 PIO timings

Symbol	No.	Parameter	Min	Max	Units	Notes
tIOr		Output rise time	7.0	30.0	ns	1
tIOF		Output fall time	7.0	30.0	ns	1

Table 31.2 PIO timings

Notes:

- 1 Load = 50pf.

31.3 Link timings

Symbol	Parameter	Min	Nom	Max	Units	Notes
tJQr	LinkOut rise time			20	ns	
tJQf	LinkOut fall time			10	ns	
tJDr	LinkIn rise time			20	ns	
tJDf	LinkIn fall time			20	ns	
tJQJD	Buffered edge delay	0			ns	
ΔtJB	Variation in tJQJD	20 Mbits/s		3	ns	1
		10 Mbits/s		10	ns	1
		5 Mbits/s		30	ns	1
CLIZ	LinkIn capacitance @ f=1MHz			10	pF	
CLL	LinkOut load capacitance			50	pF	

Table 31.3 Link timings

Notes

- 1 This is the variation in the total delay through buffers, transmission lines, differential receivers etc, caused by such things as short term variation in supply voltages and differences in delays for rising and falling edges.

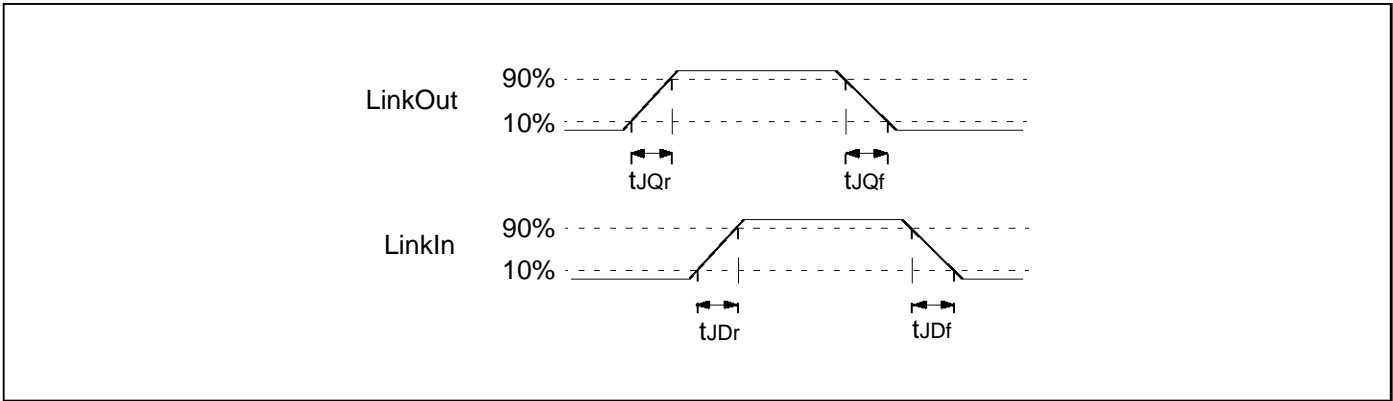


Figure 31.5 Link timings

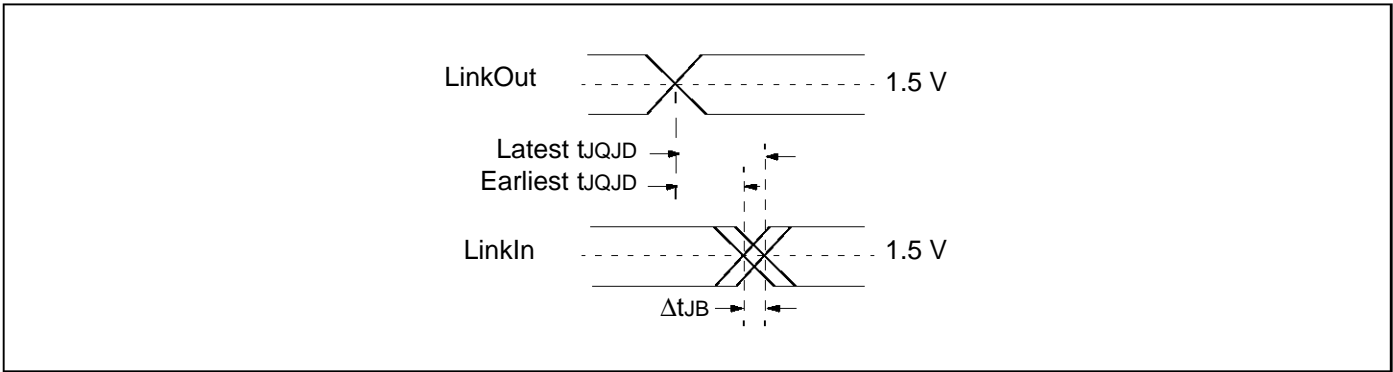


Figure 31.6 Buffered Link timings

31.4 Reset and Analyse timings

Symbol	Parameter	Min	Nom	Max	Units
tRHL	notRST pulse width low	8			ClockIn
tRHL	CPUReset pulse width high	1			ClockIn
tAHRH	CPUAnalyse setup before CPUReset	3			ms
tRLAL	CPUAnalyse hold after CPUReset end	1			ClockIn

Table 31.4 Reset and Analyse timings

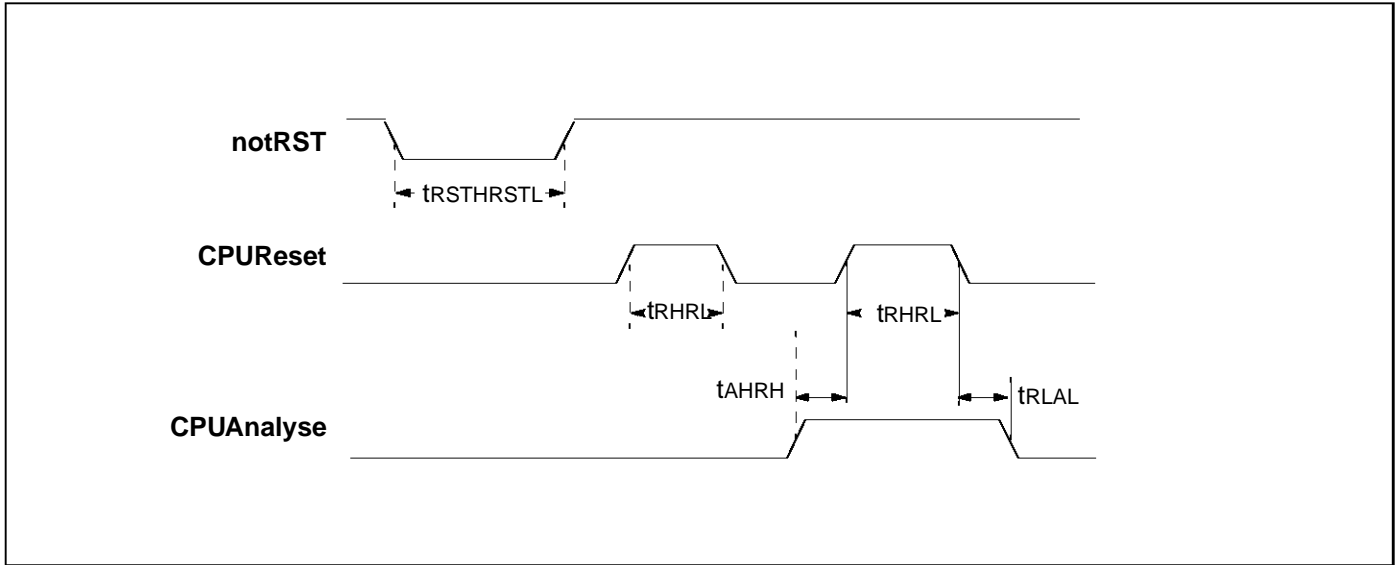


Figure 31.7 Reset and Analyse timings

31.5 Clock timings

31.5.1 ClockIn timings

Symbol	Parameter	Min	Nom	Max	Units	Notes
tDCLDCH	ClockIn pulse width low	6			ns	
tDCHDCL	ClockIn pulse width high	10			ns	
tDCLDCL	ClockIn period		37		ns	1, 2
tDCr	ClockIn rise time			10	ns	3
tDCf	ClockIn fall time			10	ns	3

Table 31.5 **ClockIn** timings

Notes

- 1 Measured between corresponding points on consecutive falling edges.
- 2 Variation of individual falling edges from their nominal times.
- 3 Clock transitions must be monotonic within the range V_{IH} to V_{IL} (see Electrical Specifications chapter).

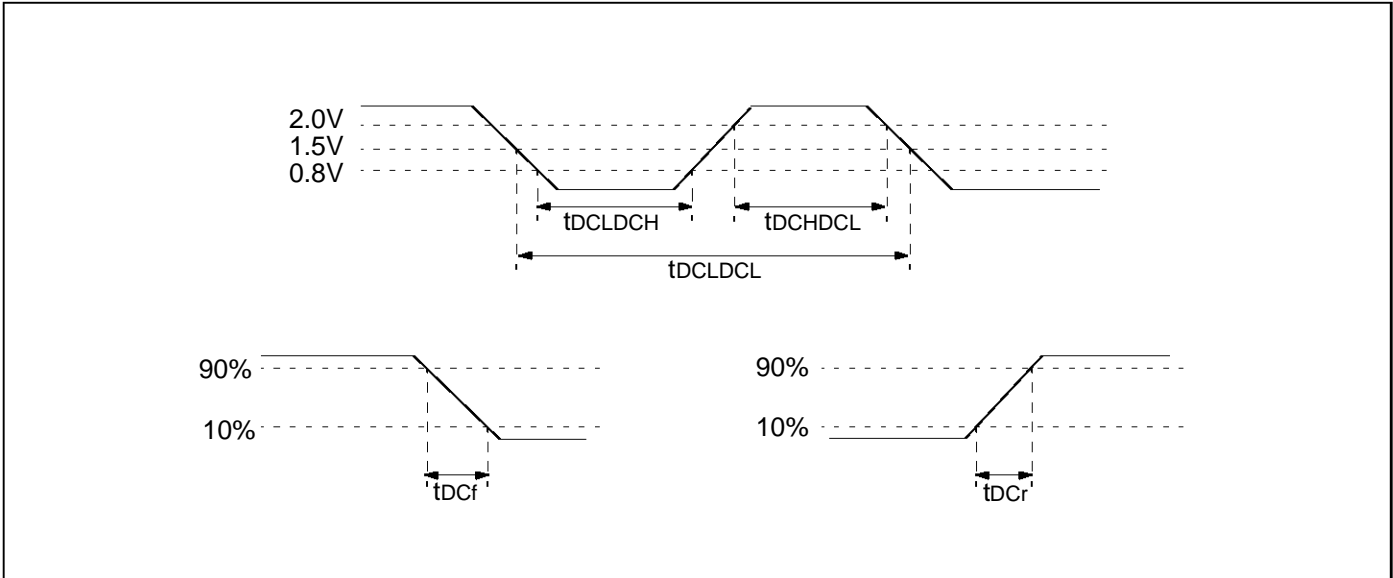


Figure 31.8 **ClockIn** timings

31.6 TAP timings

The TAP will function at 5 MHz **TCK** with the following timings. All other electrical characteristics of the TAP pins are as defined in the Electrical Specifications chapter.

Symbol	Parameter	Min	Nom	Max	Units
Tsetup	Set-up time	10			ns
Thold	Hold time	10			ns
Tprop	Propagatation delay			50	ns

Table 31.6 TAP timings

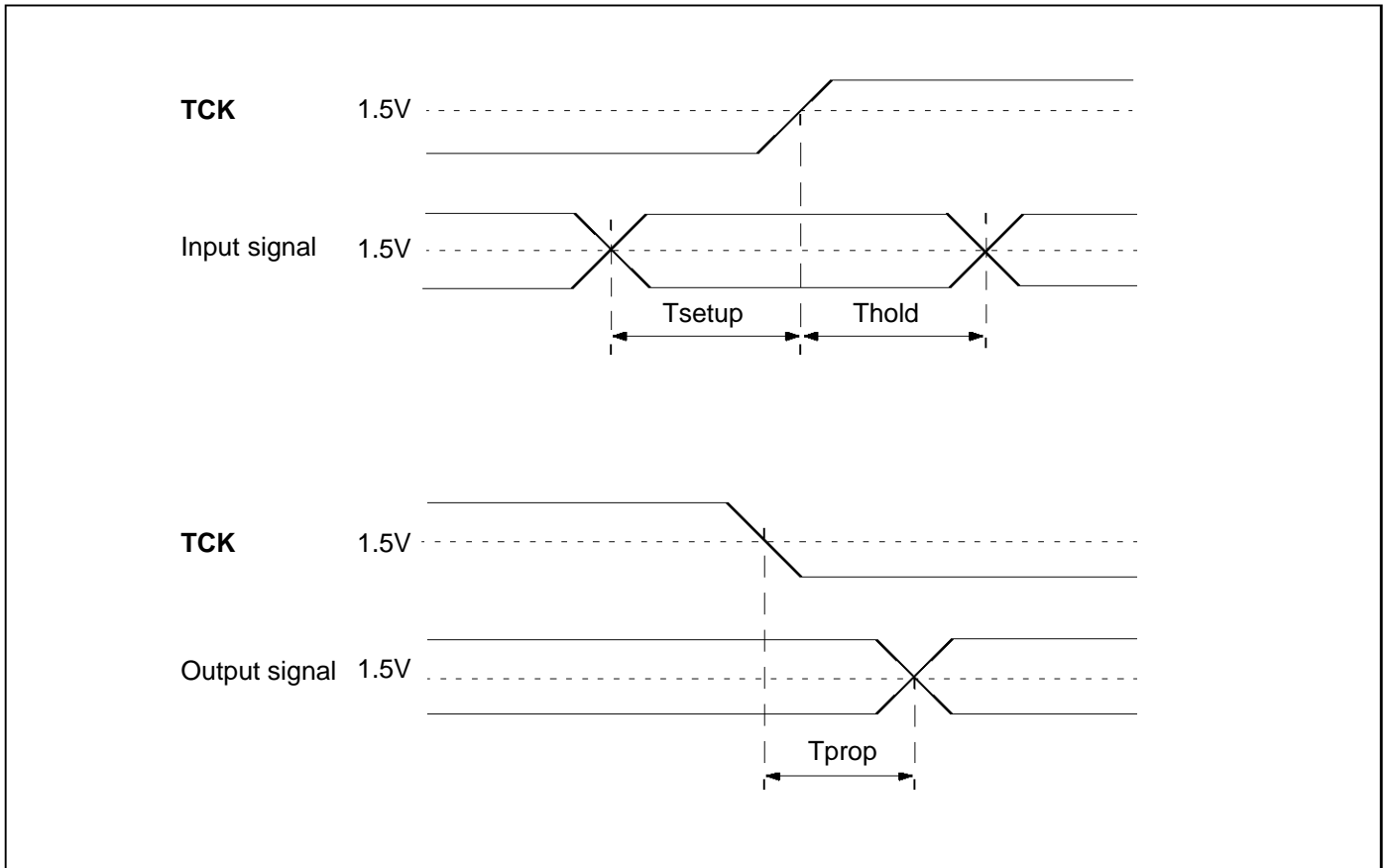


Figure 31.9 TAP timings

31.7 Link IC timings

Symbol	Parameter	Min	Nom	Max	Units	Notes
tLCLLCL	LByteClk period	100			ns	
tLCHLCL	LByteClk pulse width high	10			ns	
tLCLLCH	LByteClk pulse width low	10			ns	
tLDVLCH	Link IC signal valid to LByteClk high	10			ns	
tLCHLDX	Link IC signal hold after LByteClk high	3			ns	

Table 31.7 Link IC timings

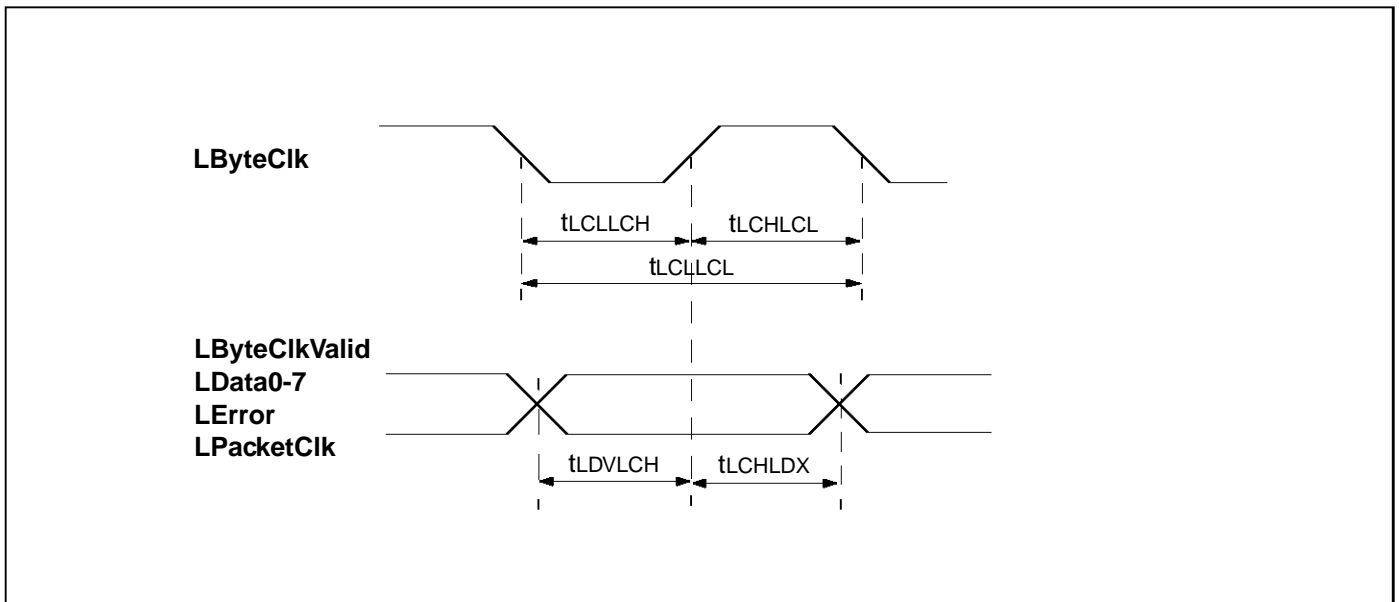


Figure 31.10 Link IC timings

31.8 Teletext timings

31.8.1 Teletext data out

Symbol	Parameter	Min	Nom	Max	Units	Notes
tCIHTRX	TeletextRequest hold time from clockin high	4			ns	
tTRVCIH	TeletextRequest setup time to clockin high	10			ns	
tCIHTDOX	TeletextData output hold after clockin high	6			ns	
tCIHTDOV	Clockin high to Teletext data output valid			25	ns	

Table 31.8 Teletext data out

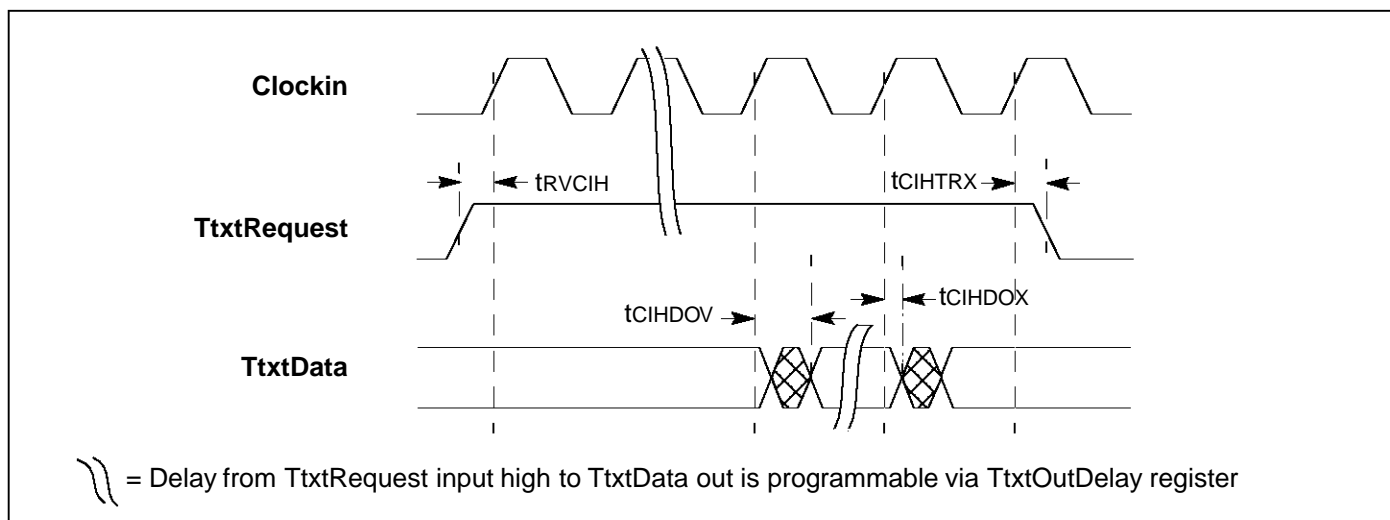


Figure 31.11 Teletext data out

31.8.2 Teletext data in

Symbol	Parameter	Min	Nom	Max	Units	Notes
tDIVTCH	Teletext data in setup time to teletext clock high	0			ns	
tCHTDIX	Teletext data in hold time from teletext clock high			111	ns	1

Table 31.9 Teletext data in

1 tCHTDIX is expressed in clock cycles i.e. 111ns = 3 x 27MHz clock cycles.

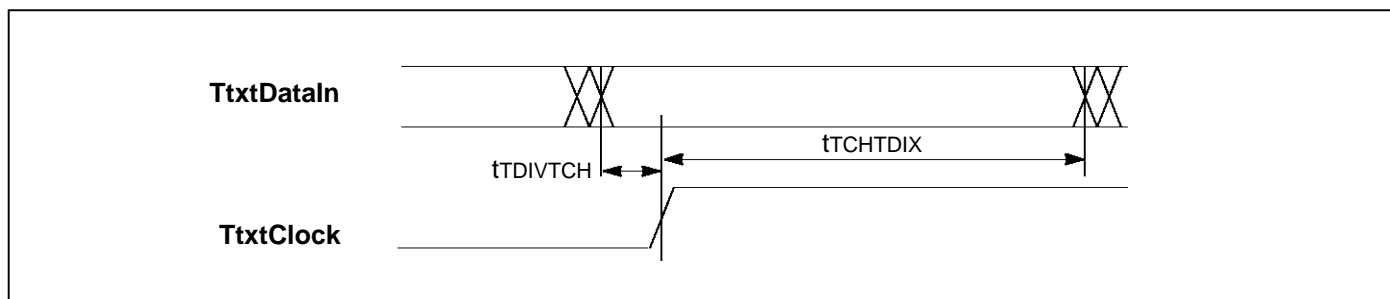


Figure 31.12 Teletext data in

32 Device ID

The identification code for the ST20-TP2 is #*m*5193041, where *m* is a manufacturing revision number reserved by SGS-THOMSON. See Table 32.1.

bit 31																														bit 0										
Mask rev	ST20 family					Variant									SGS-THOMSON manufacturers id										a															
<i>reserved</i>	0	1	0	1	0	0	0	1	1	0	0	1	0	0	1	1	0	0	0	0	0	1	0	0	0	0	0	0	1	0	0	0	0	0	0	0	0	0	0	1
	5					1	9				3			0				4				1																		

Table 32.1 Identification code

a. Defined as 1 in IEEE 1149.1 standard.

The identification code is returned by the *Idprodid* instruction, see Table 6.4.

33 Ordering information

Device	Maximum processor clock rate	Package
ST20TP2BX50S	50 MHz	208 pin plastic quad flat pack (PQFP)

For further information contact your local SGS-THOMSON sales office.

Appendix A Channel model

The ST20-TP2 on-chip bus which connects the ST20 processor core and the other modules provides a unique way of communicating between data processing/interface modules, the CPU and memory (both on and off chip).

The model relies on three main elements of the system. The microkernel of the CPU, the interconnect protocol, and the design of the module. Instructions are provided which enable the programmer to make use of these features in a simple and flexible way.

The CPU uses a group of reserved locations at the base of memory to store the task identifier of a task using one of the channels, see the memory map for details. When a task performs an instruction requiring communication via the channel the task identifier is stored in the channel location (specified by the instruction operand) and the appropriate command (determined by the instruction) is sent to the module. This task is now considered inactive and will take no further CPU time. The microkernel will begin executing the next active task from its queue. When the module has completed the command, an acknowledge is sent to the CPU which signals the microkernel to remove the task identifier from the channel location and put it on the back of the queue of active processes waiting for CPU time.

The type of operations this is used for is data transfers into and out of CPU memory. This method of communication has the advantage that the speed and overhead of the data transfer are not taking up CPU time. The close coupling of the microkernel and these protocols means that the set-up, acknowledge and context switch times are very short, less than 500 ns in most cases.

A.1 Example

The CPU executes an *in* instruction from the Link-IC interface module. Operands to the *in* instruction are the base pointer in CPU memory and the size in bytes. The task ID of the task executing the *in* instruction is placed in address #8000002C. The internal bus sends the channel number, the *in* command, the base pointer and the size. This will be received by the correct module using the channel number. The CPU is now free to continue with another operation. The Link-IC interface module will now input 'size' bytes of data and place them in the addresses above the base pointer. When the correct number of bytes have been received the module returns an acknowledge command and the channel number to the CPU. The microkernel takes the task ID from address #8000002C and adds it to the back of the active list.

Information furnished is believed to be accurate and reliable. However, SGS-THOMSON Microelectronics assumes no responsibility for the consequences of use of such information nor for any infringement of patents or other rights of third parties which may result from its use. No license is granted by implication or otherwise under any patent or patent rights of SGS-THOMSON Microelectronics. Specifications mentioned in this publication are subject to change without notice. This publication supersedes and replaces all information previously supplied. SGS-THOMSON Microelectronics products are not authorized for use as critical components in life support devices or systems without express written approval of SGS-THOMSON Microelectronics.

© 1997 SGS-THOMSON Microelectronics - All Rights Reserved



is a registered trademark of the SGS-THOMSON Microelectronics Group.

SGS-THOMSON Microelectronics GROUP OF COMPANIES

Australia - Brazil - Canada - China - France - Germany - Hong Kong - Italy - Japan - Korea - Malaysia - Malta - Morocco -
The Netherlands - Singapore - Spain - Sweden - Switzerland - Taiwan - Thailand - United Kingdom - U.S.A.